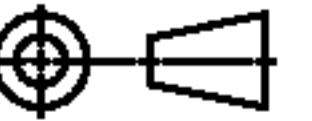
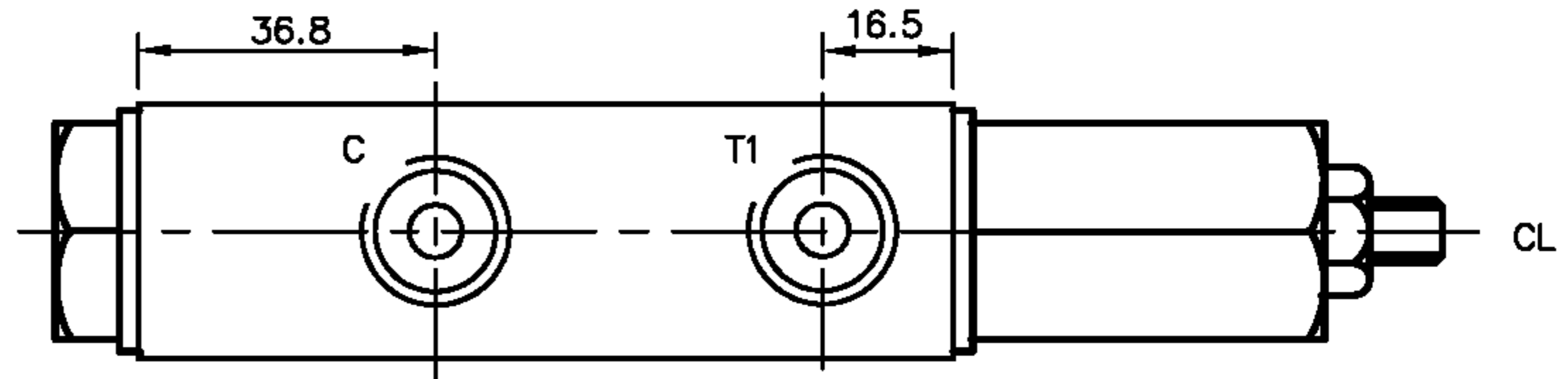


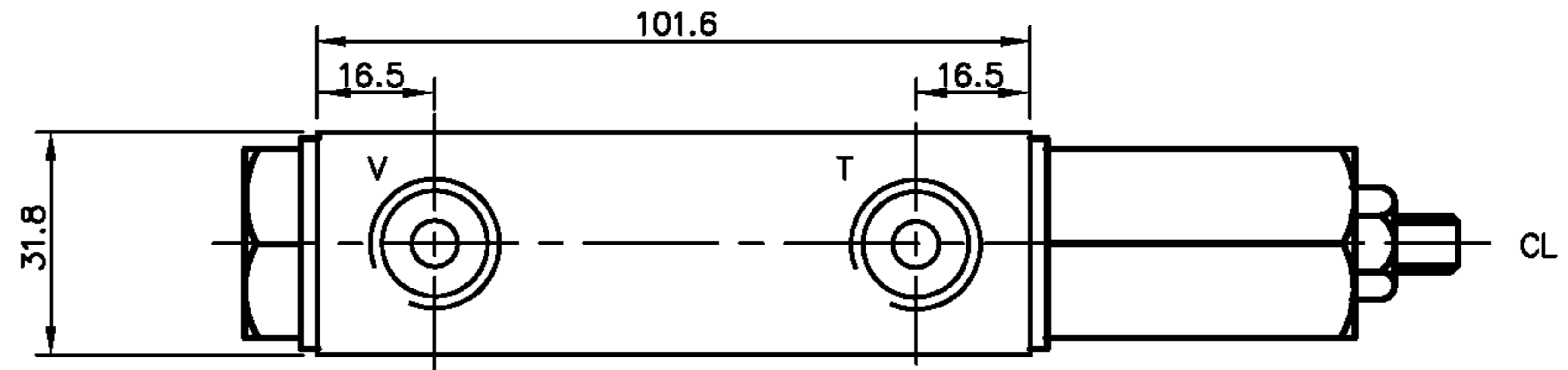
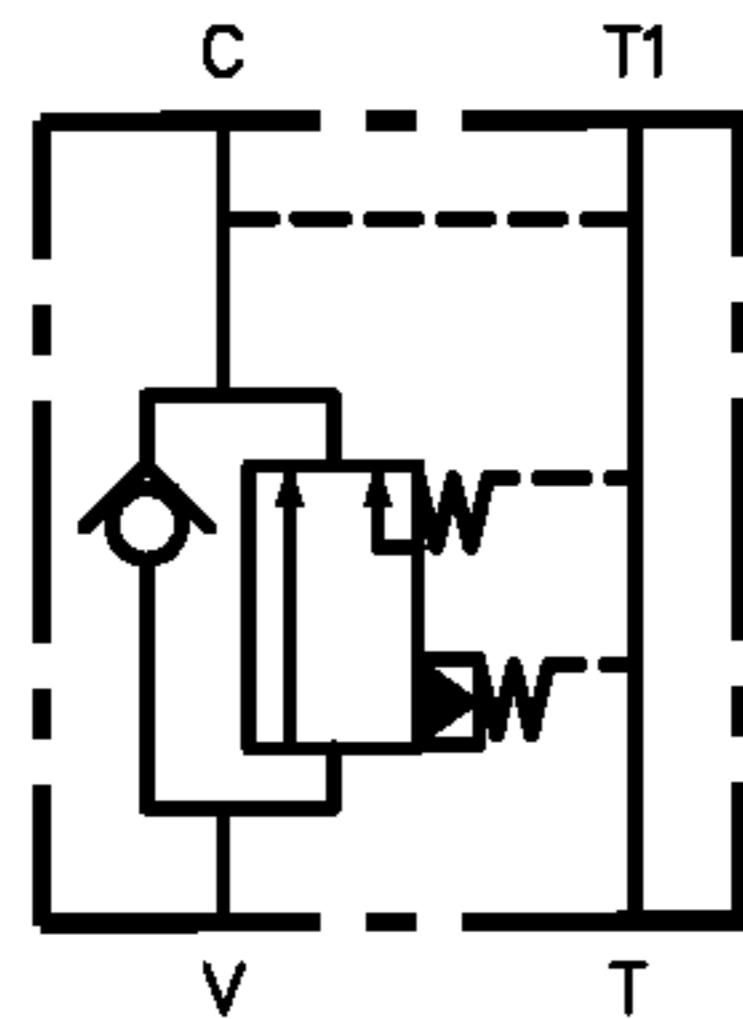
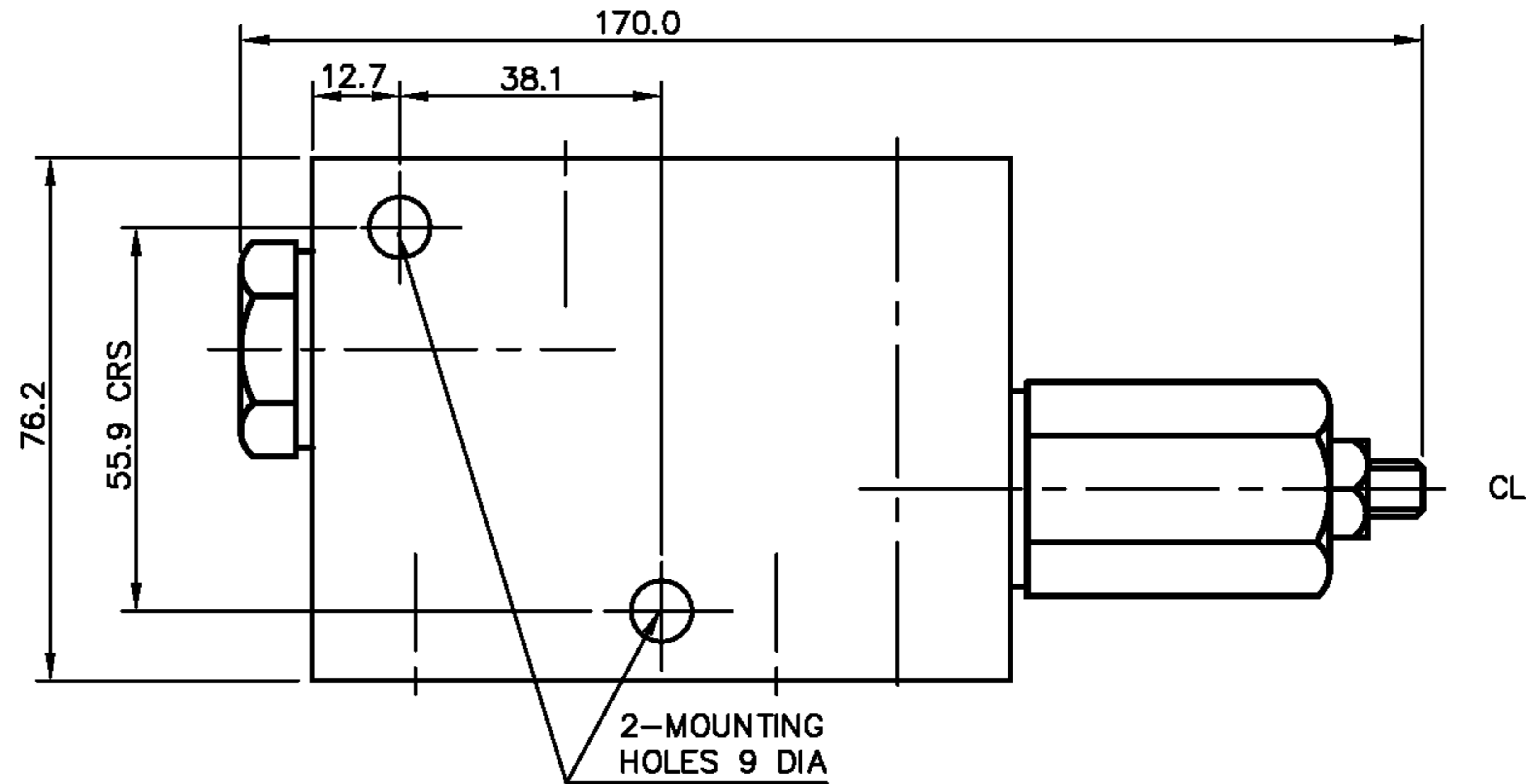
REMOVE ALL BURRS AND SHARP EDGES UNLESS STATED



VALVE ORDERING INFORMATION	
SINGLE LATCHING SEQUENCE VALVE	
INC FREE FLOW CHECK VALVE	
MAX WORKING PRESSURE 350 BAR	



VALVE ORDERING INFORMATION	
TYPE	PORTS
VL-722-A	1/4 BSP (PL)
VL-722-B	3/8 BSP (PL)
VL-722-C	1/2 BSP (PL)
ALL DIMENSIONS IN MM	



ALTERATIONS	DATE	ISS	TOLERANCE	VALVE TYPE	SCALE: 1:1	TITLE	DIM:
			UNLESS STATED	(FOR NON-LATCHING SEE V-722)	DATE: 03/02/99	INSTALLATION VL-722-□	DRG NO:
			SURFACE 63 (1.6)		DRN: K.J.P.S		8896
			Linear ±0.005 (0.125mm)		CHK:		