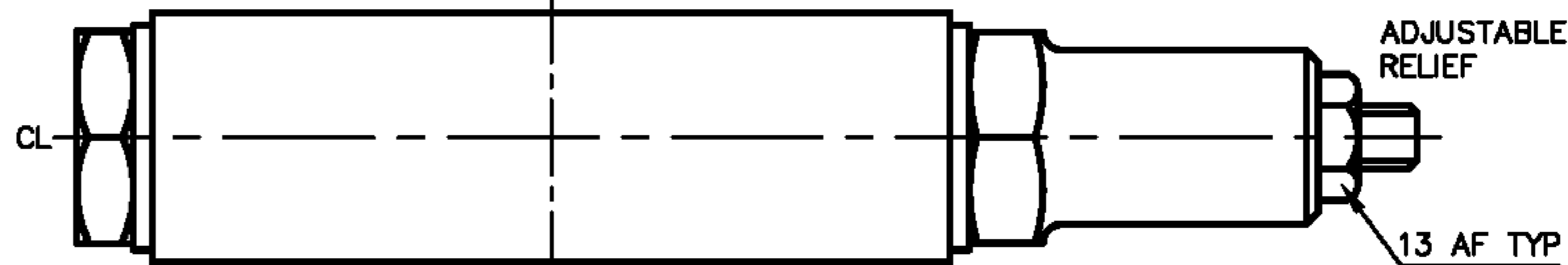
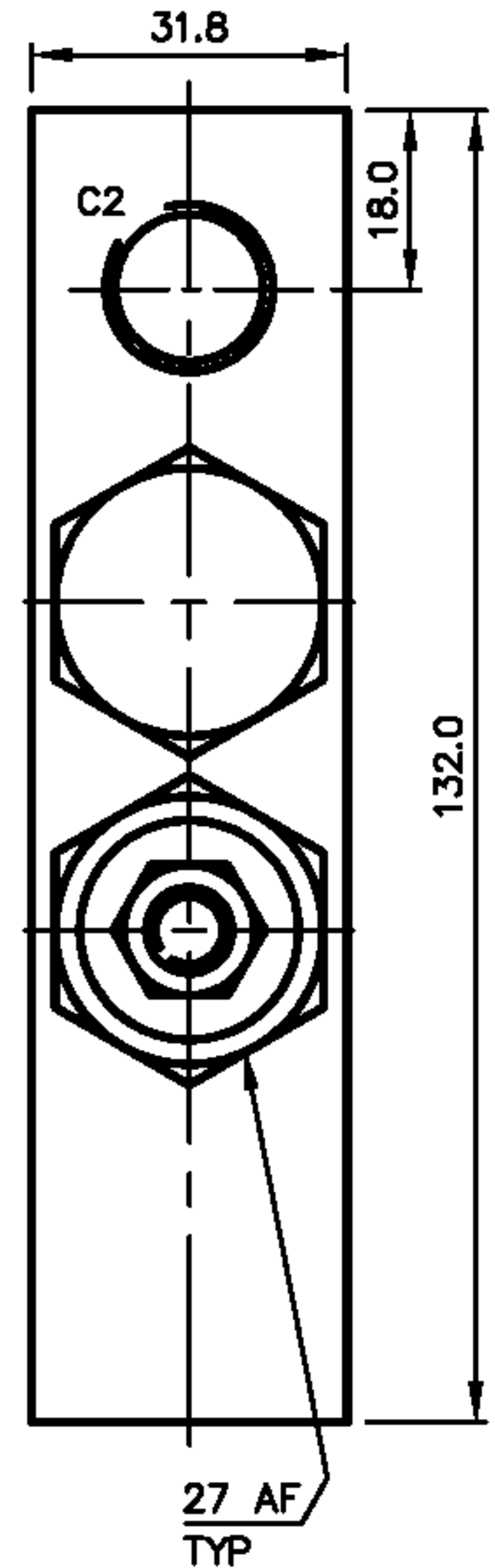
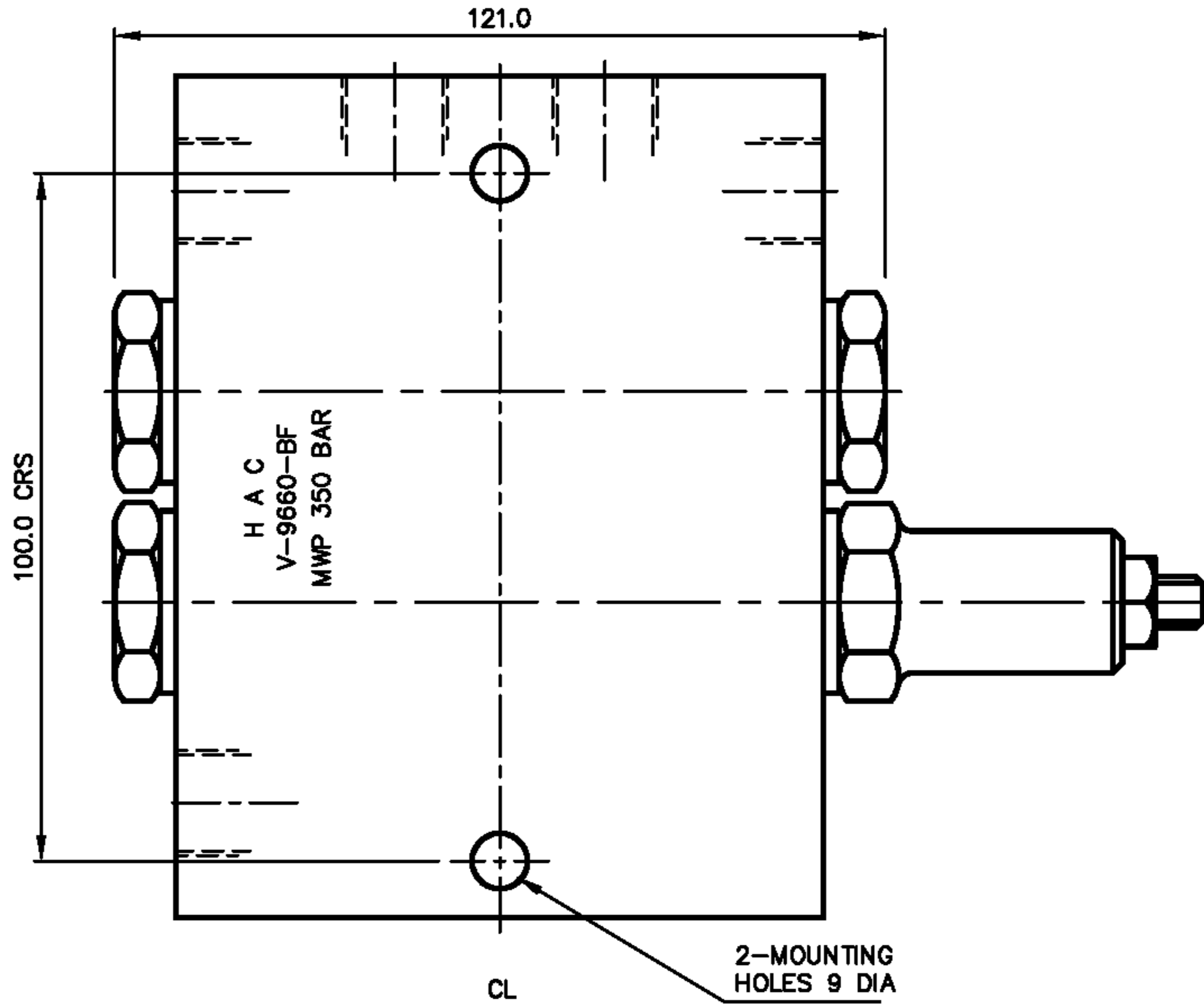
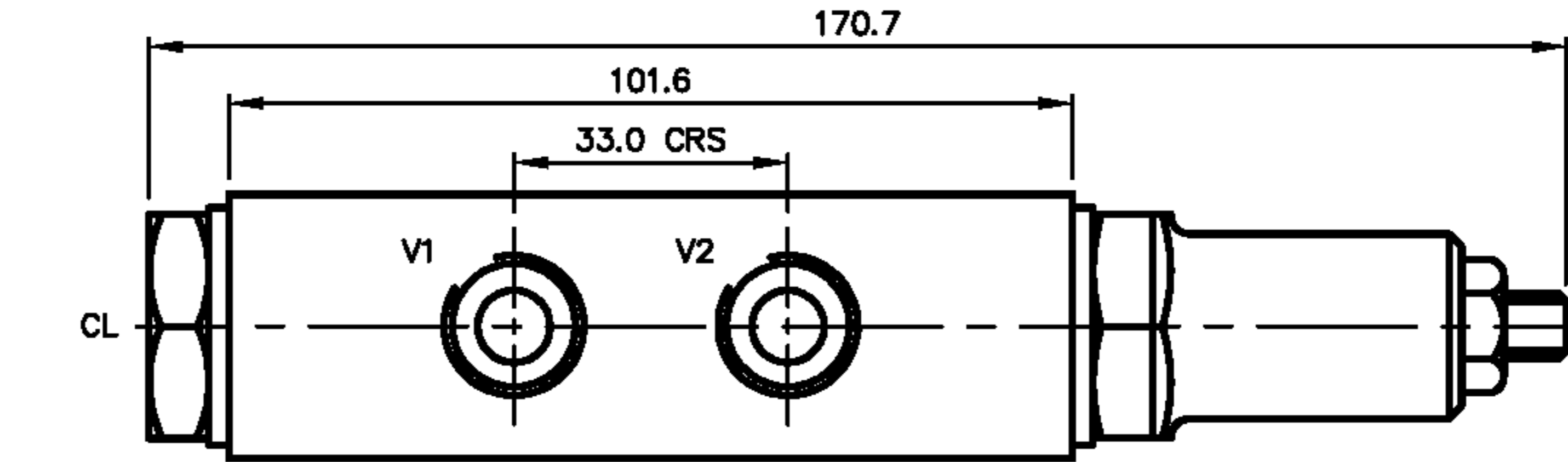
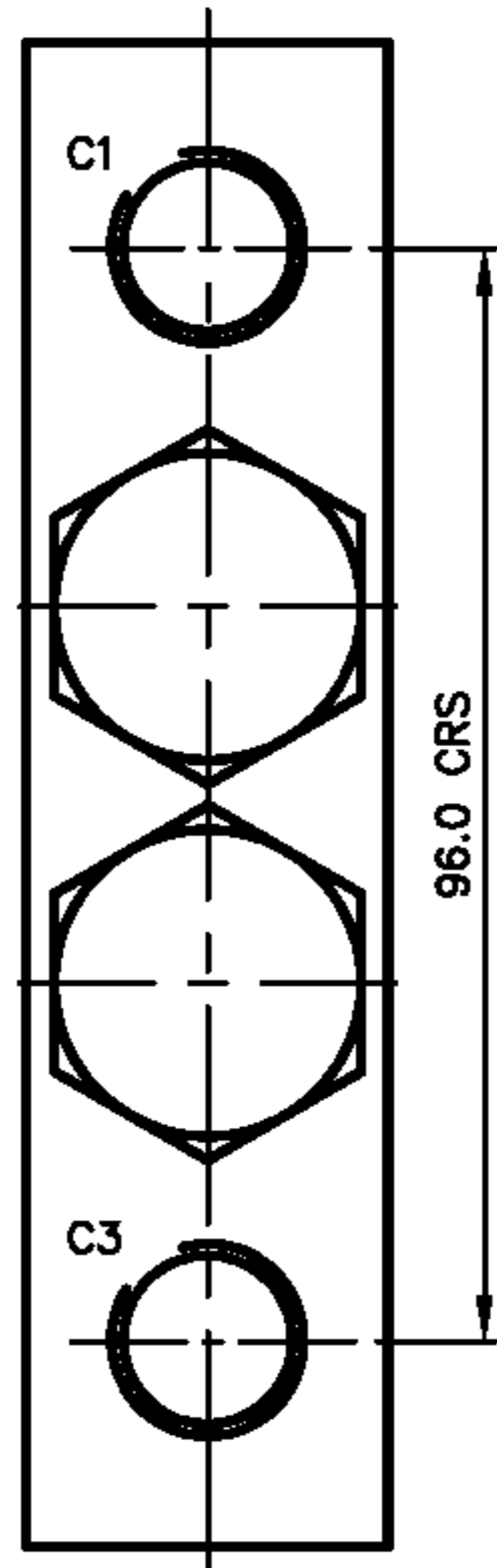
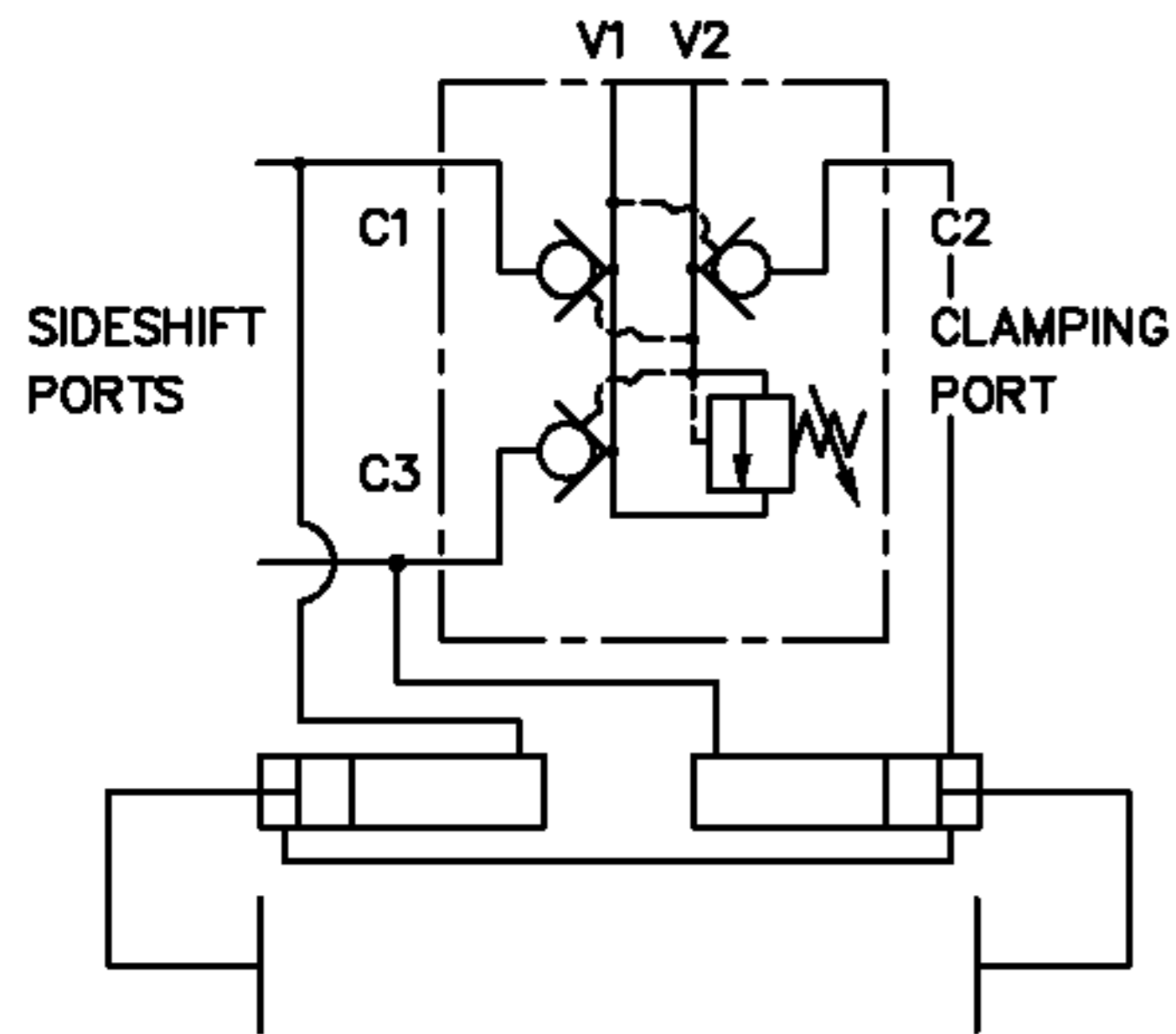


COMBINATION SIDESHIFT/CLAMP VALVE
WITH INTEGRAL RELIEF
 EXAMPLE V-9660-BF
MAX WORKING PRESSURE 350 BAR

VALVE ORDERING INFORMATION	
TYPE	PORTS
V-9660-BF	3/8 BSP

ALL DIMENSIONS IN MM



VALVE TYPE

COMBINATION VALVE
 SIDESHIFT/CLAMP VALVE WITH INTEGRAL RELIEF

DATE: 24/10/03
 ASSY: 9660
 SCALE: 1:1

TITLE
 INSTALLATION
 V-9660-BF

DRG NO
 9661
 ISS
 A