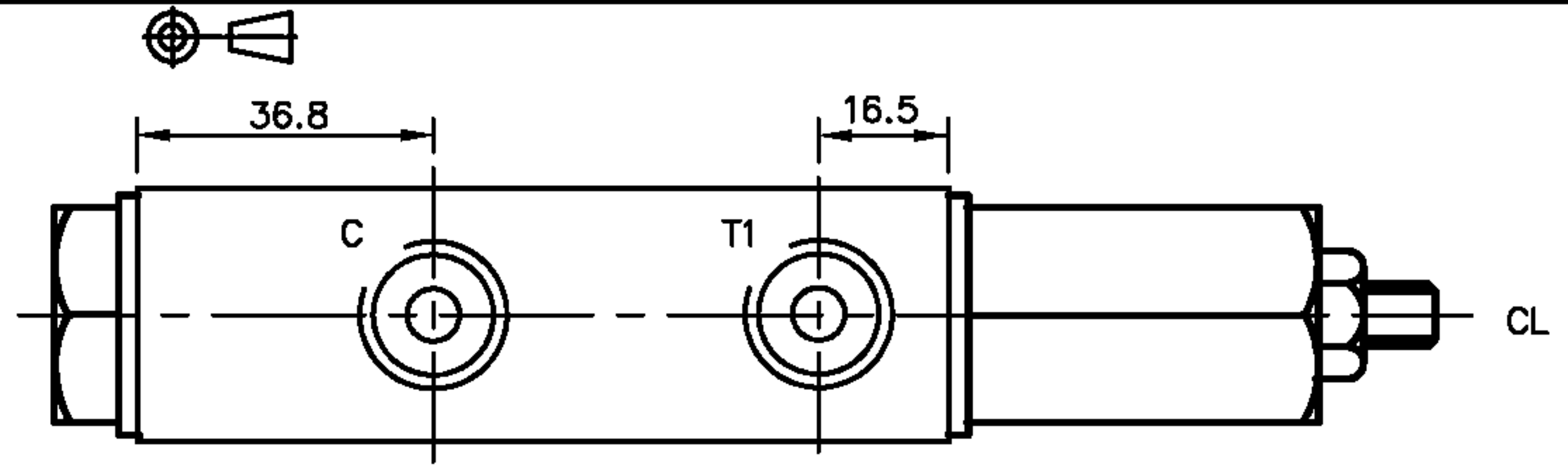
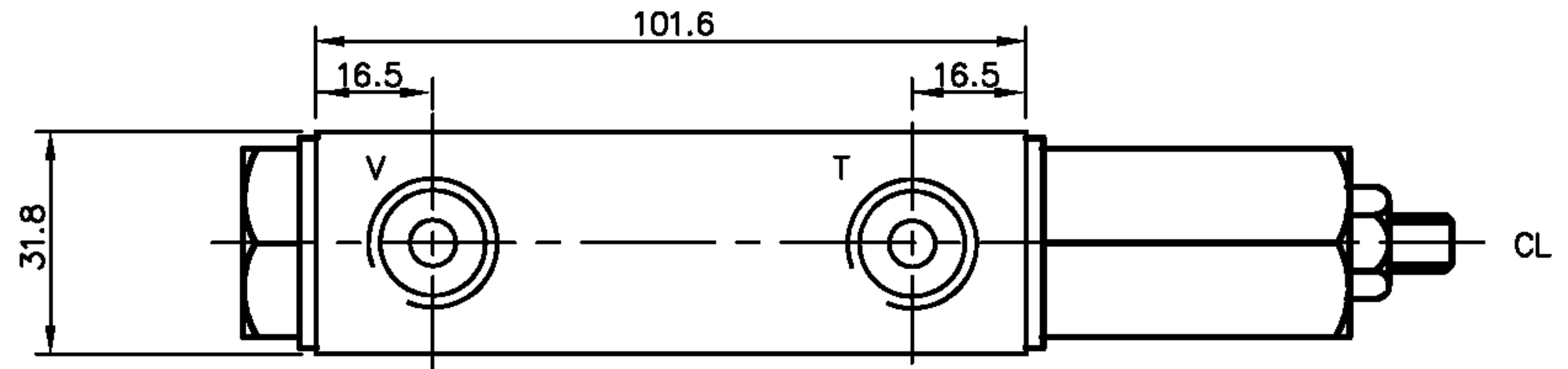
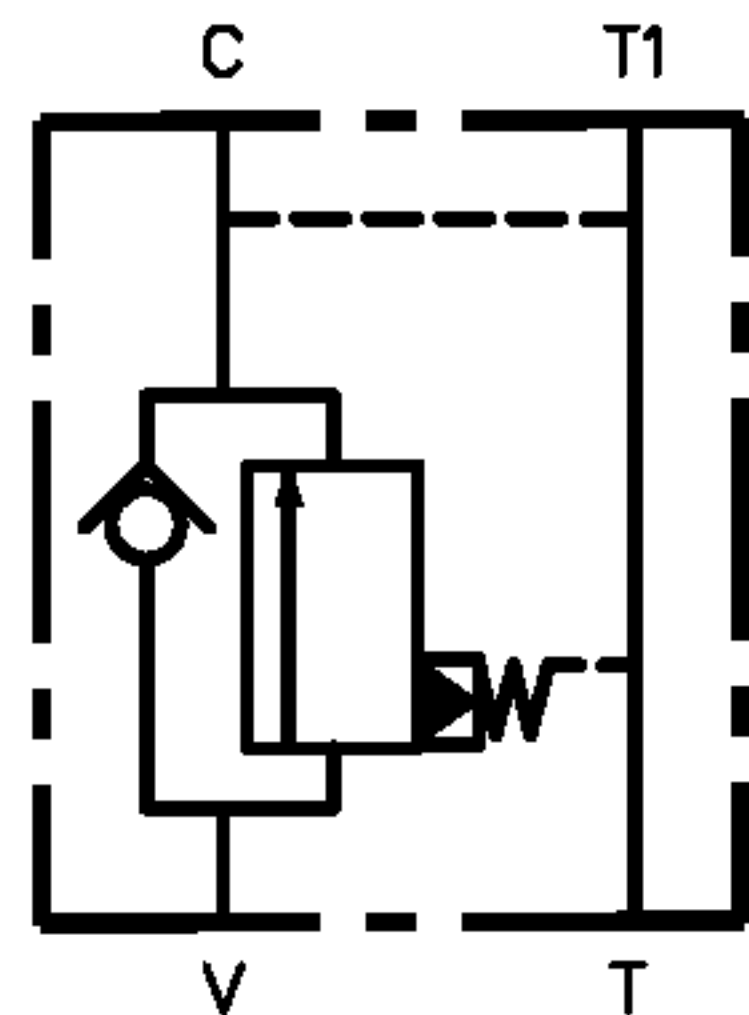
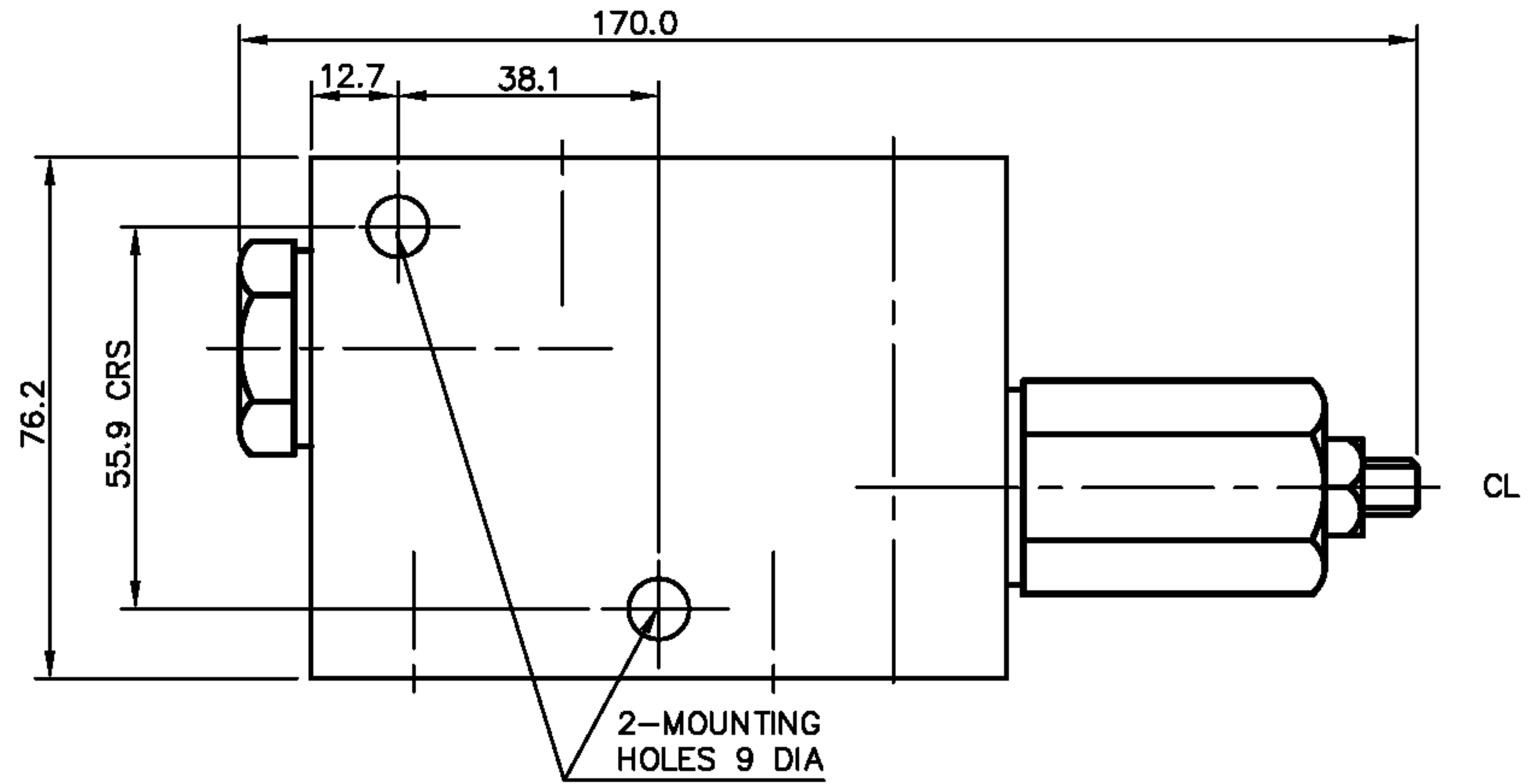


REMOVE ALL BURRS AND SHARP EDGES UNLESS STATED

VALVE ORDERING INFORMATION	
SINGLE SEQUENCE VALVE	
INC FREE FLOW CHECK VALVE	
MAX WORKING PRESSURE 350 BAR	



VALVE ORDERING INFORMATION	
TYPE	PORTS
V-722-A	1/4 BSP (PL)
V-722-B	3/8 BSP (PL)
V-722-C	1/2 BSP (PL)
ALL DIMENSIONS IN MM	



ALTERATIONS	DATE	ISS	TOLERANCE	VALVE TYPE	SCALE: 1:1	TITLE	DIM:	
			UNLESS STATED	(FOR LATCHING TYPE SEE VL-722)	DATE: 03/02/99	INSTALLATION V-722-□	DRG NO:	
			SURFACE 63 (1.6)		DRN: K.J.P.S		8956	ISS
			Linear ±0.005 (0.125mm)		CHK:			A