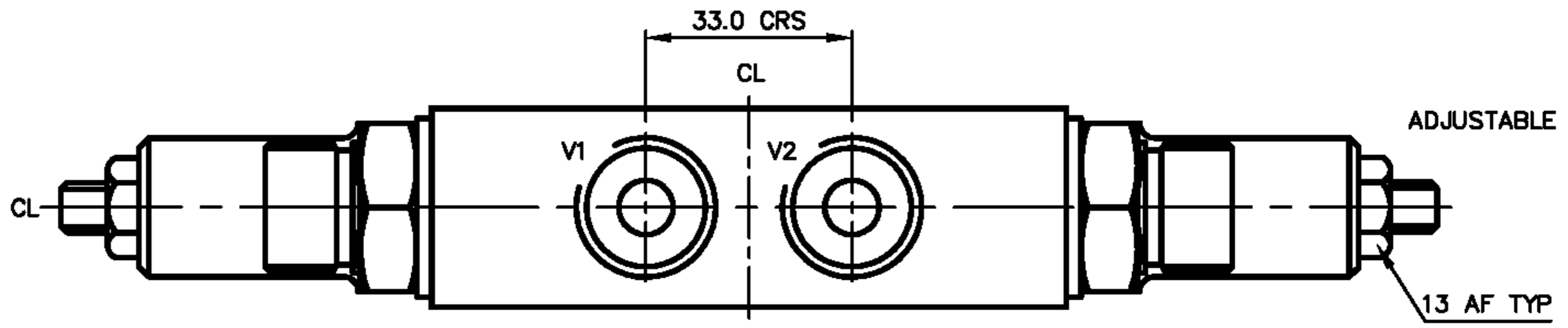
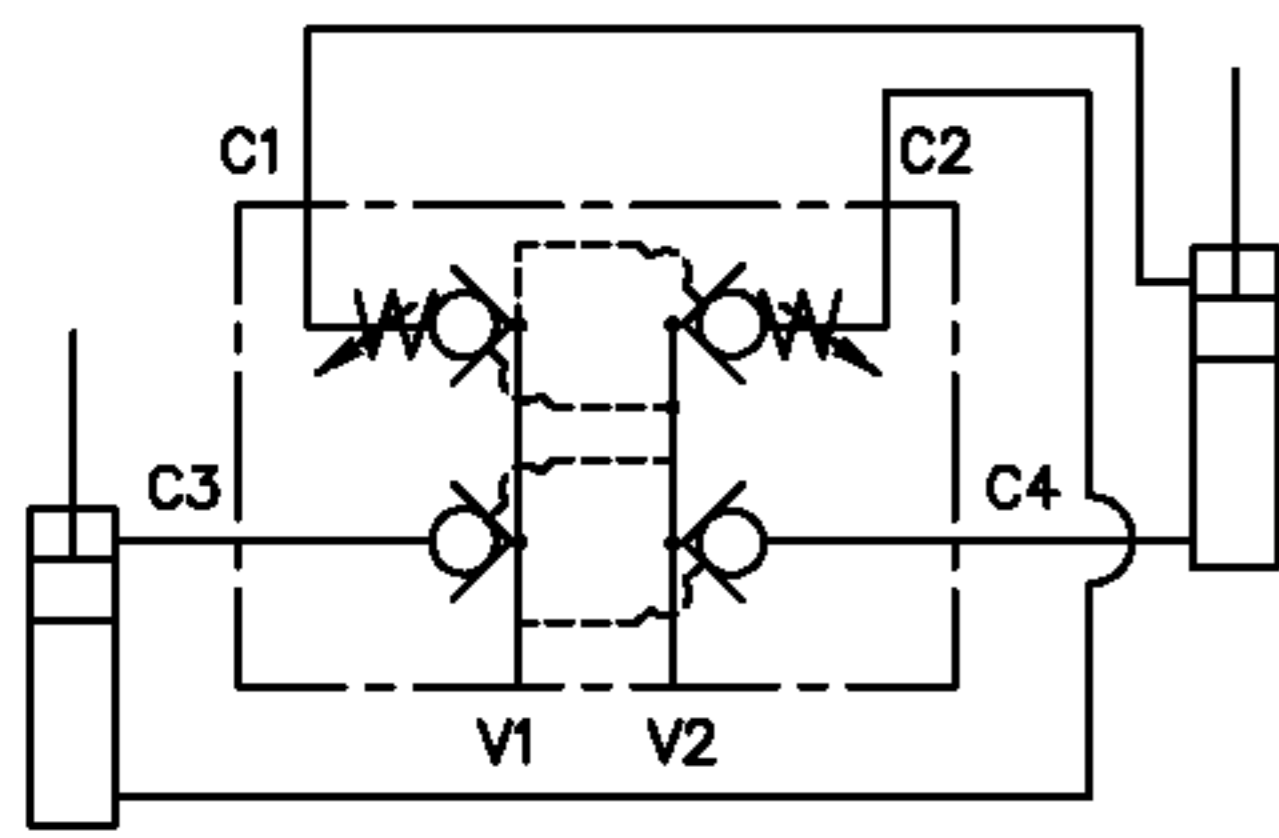
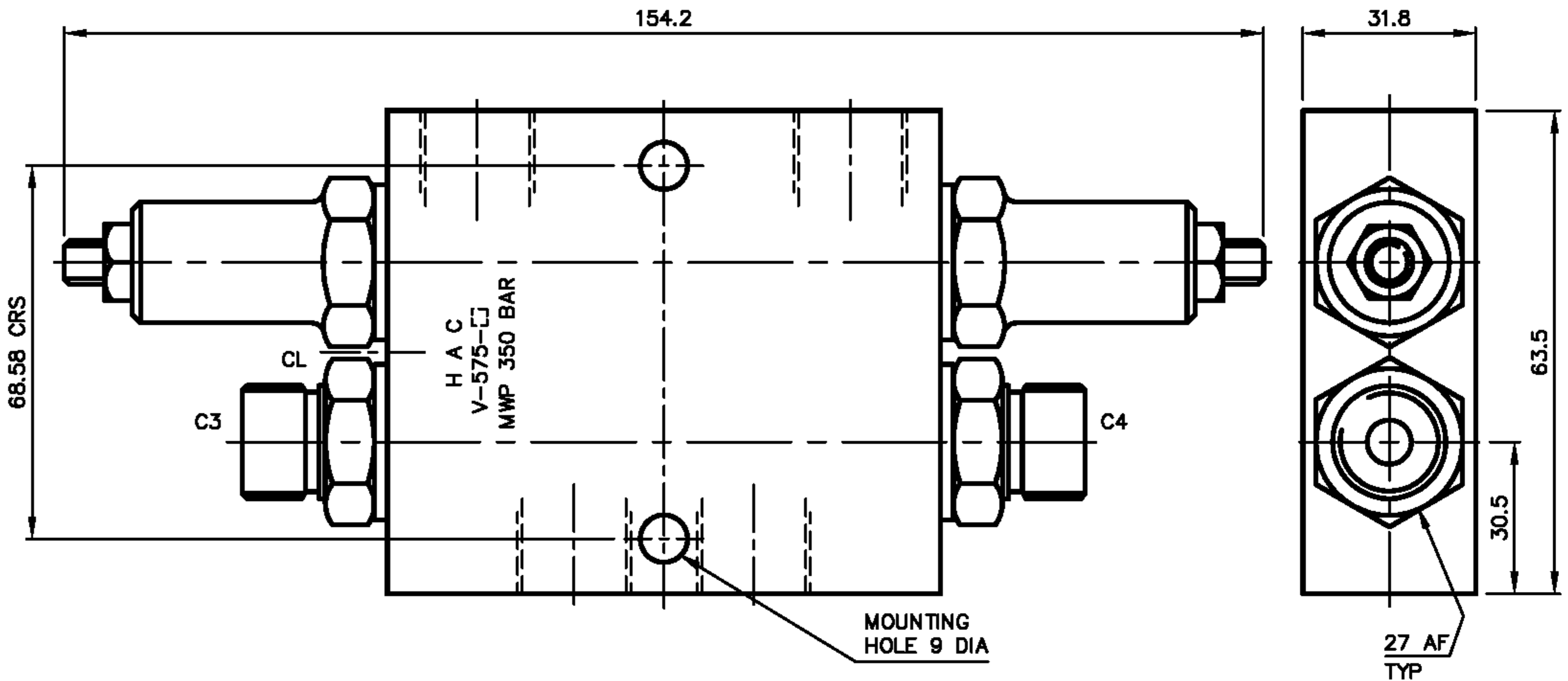
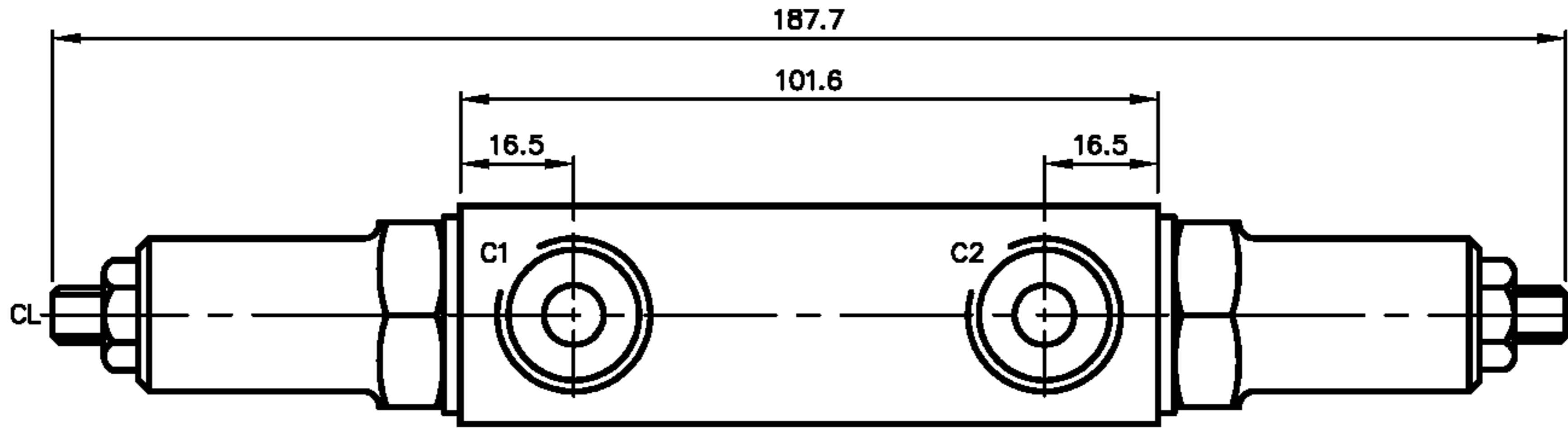


SEQUENCE VALVE  
 EXAMPLE V-575-□  
 MAX WORKING PRESSURE 350 BAR

VALVE ORDERING INFORMATION	
TYPE	PORTS
V-575-A	1/4 BSP (PL)
V-575-B	3/8 BSP (PL)
V-575-C	1/2 BSP (PL)

ALL DIMENSIONS IN MM



VALVE TYPE

SEQUENCE VALVE  
SEQUENCING DOUBLE LOCK VALVE

DATE: 08/10/01  
ASSY: 7110  
SCALE: 1:1

TITLE INSTALLATION  
V-575

DRG NO  
7111

ISS  
A