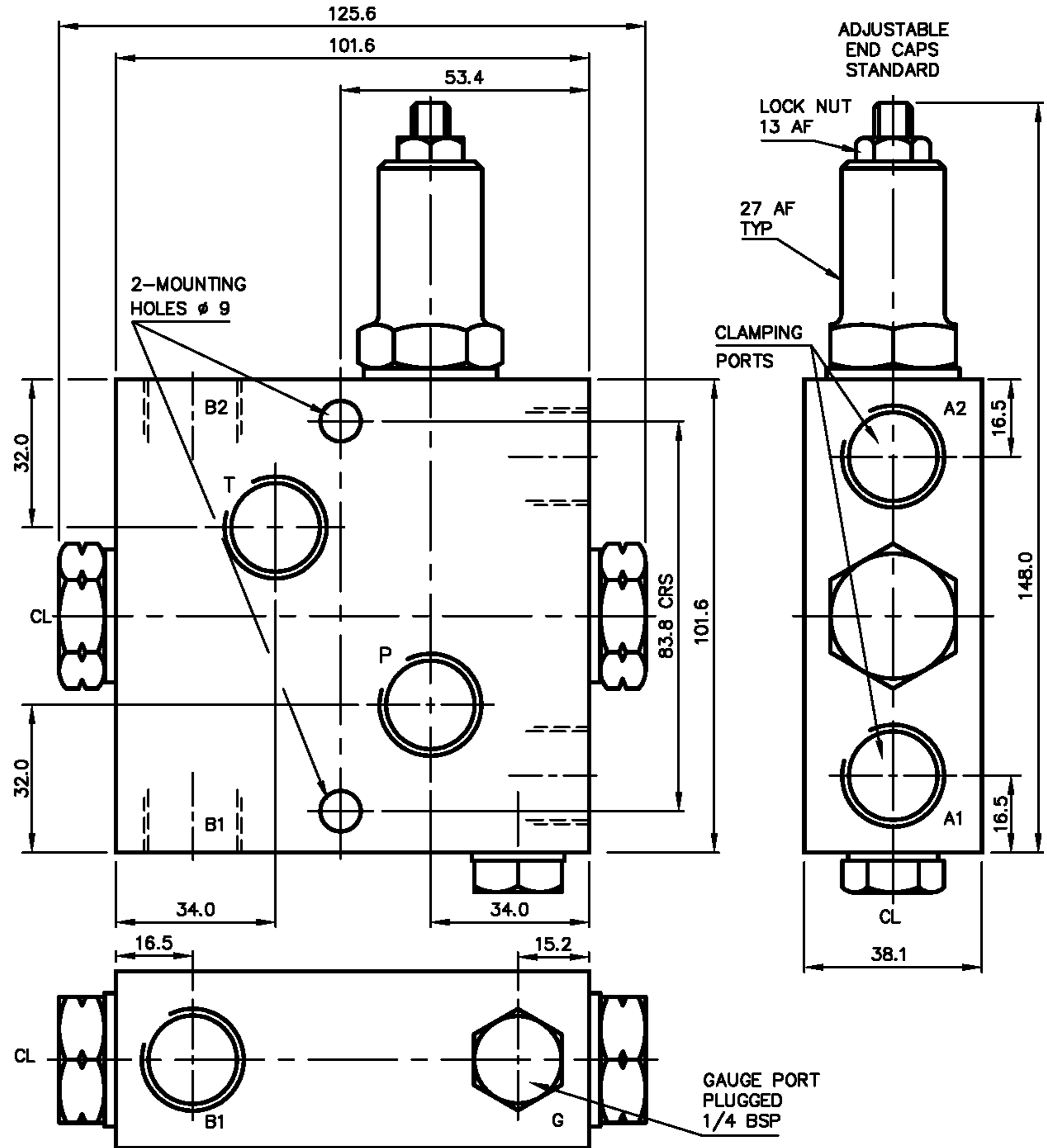
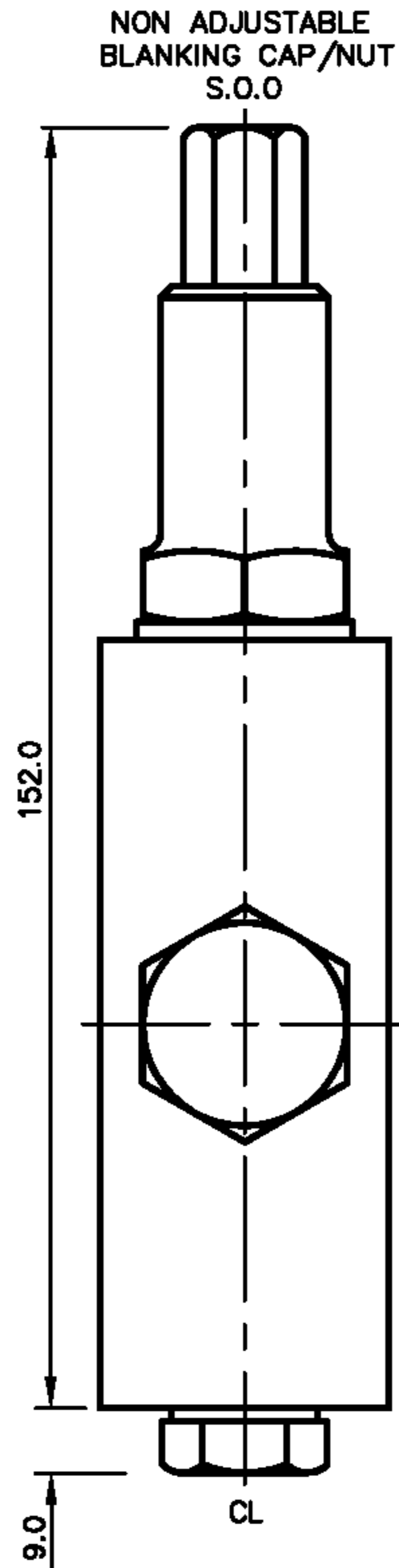
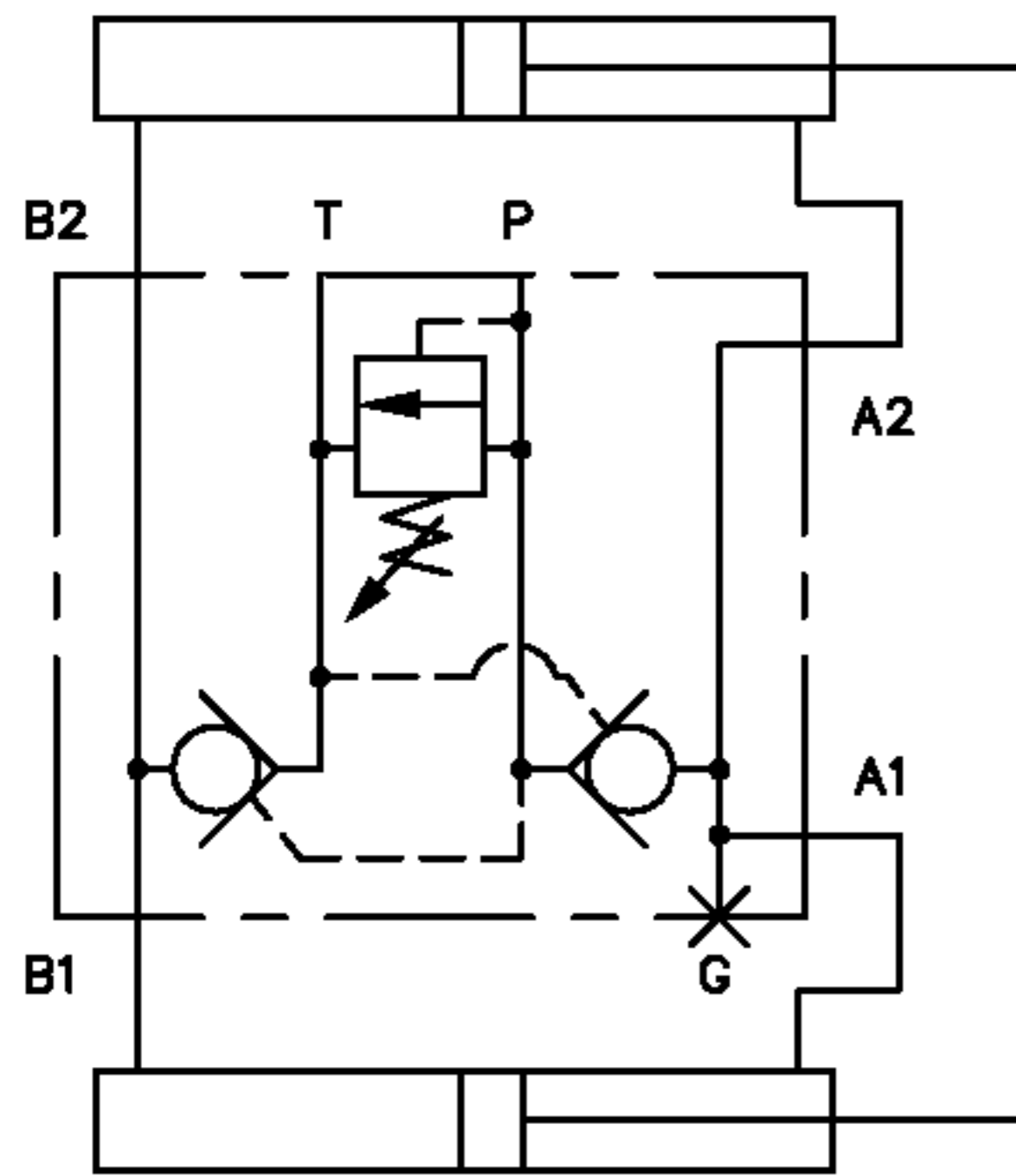


COMBINATION DUAL LOCK RELIEF VALVE	
EXAMPLE V-525-CF200	
SEE VALVE V-525-CF200 9200 FOR OPP HAND	
MAX WORKING PRESSURE 350 BAR	

VALVE ORDERING INFORMATION	
TYPE	PORTS
V-525-CF200	1/2 BSP (PL)
ALL DIMENSIONS IN MM	



VALVE TYPE COMBINATION VALVE
DUAL P.O.CHECK & CROSS LINE RELIEF VALVE

DATE: 30/04/99
ASSY: 9105
SCALE: N.T.S

TITLE INSTALLATION
V-525-CF200

DRG NO 9106
ISS A