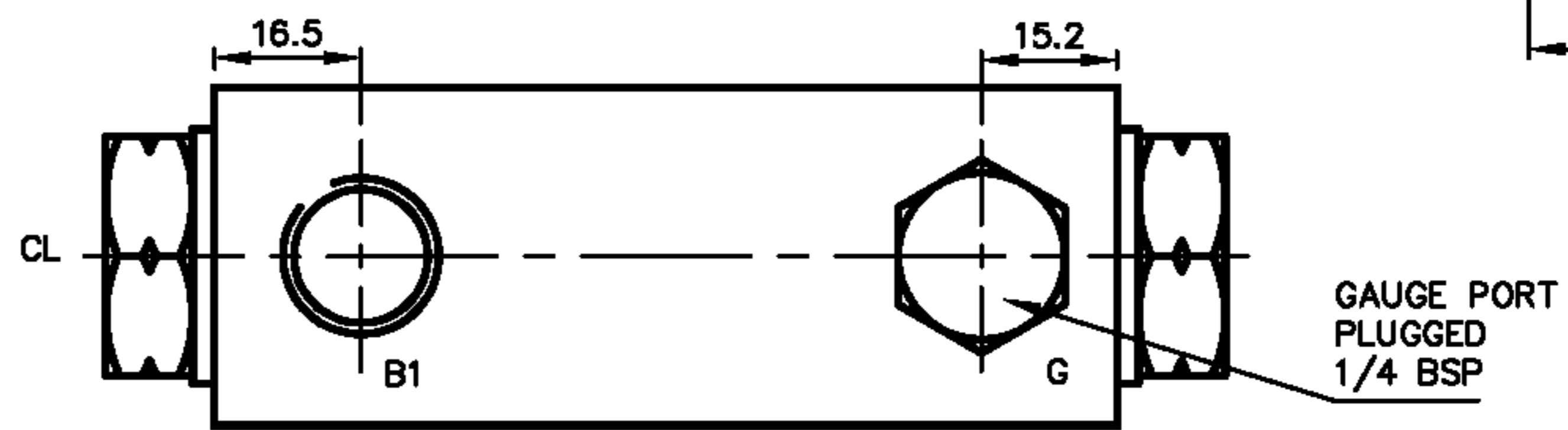
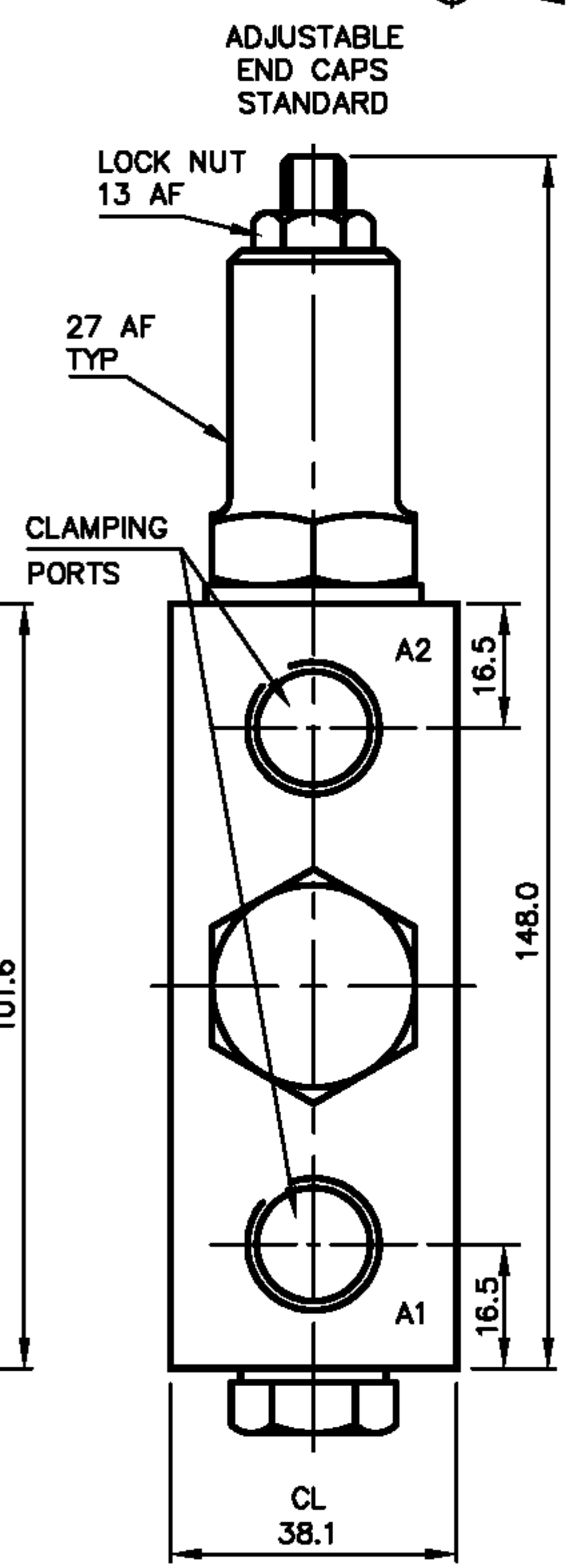
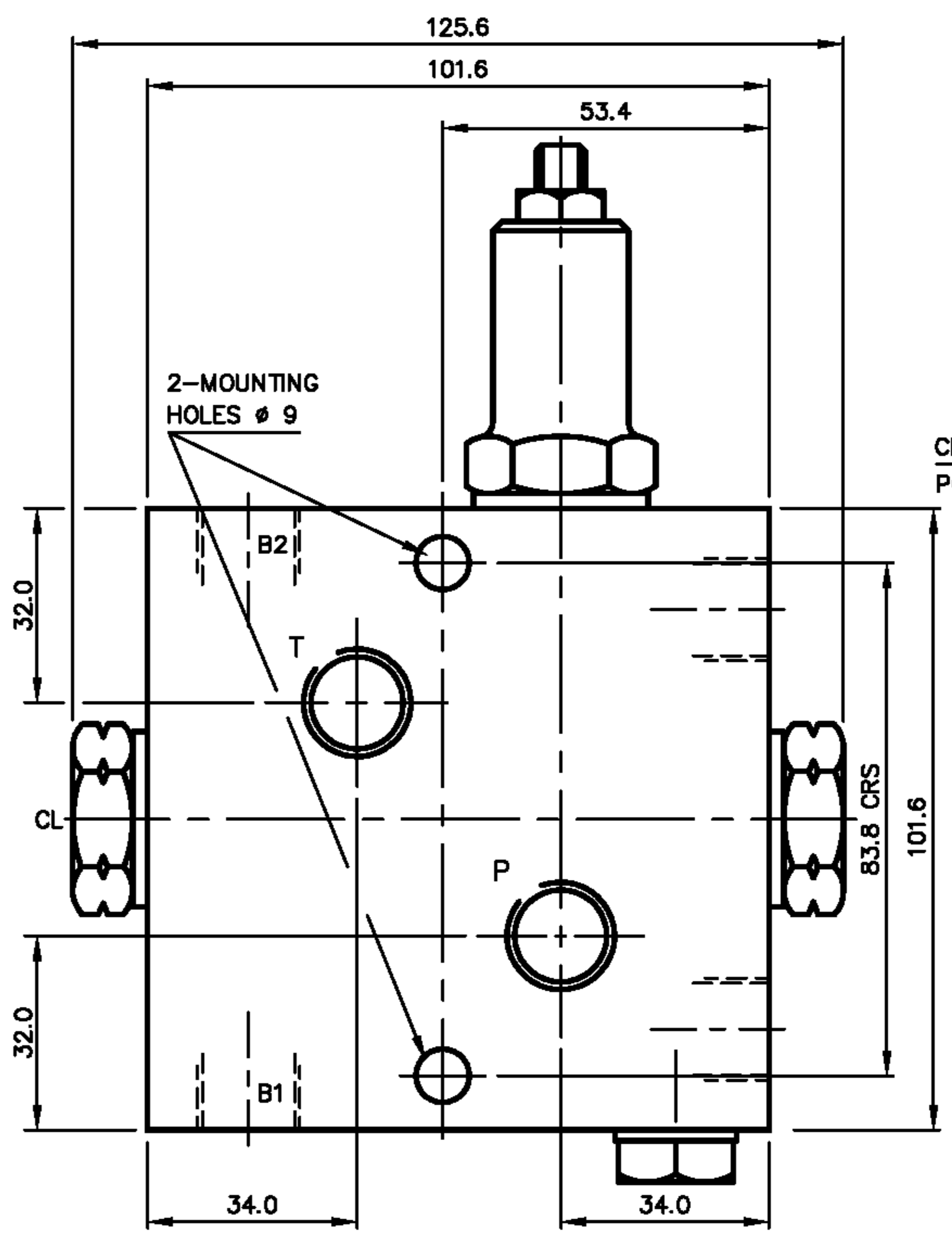
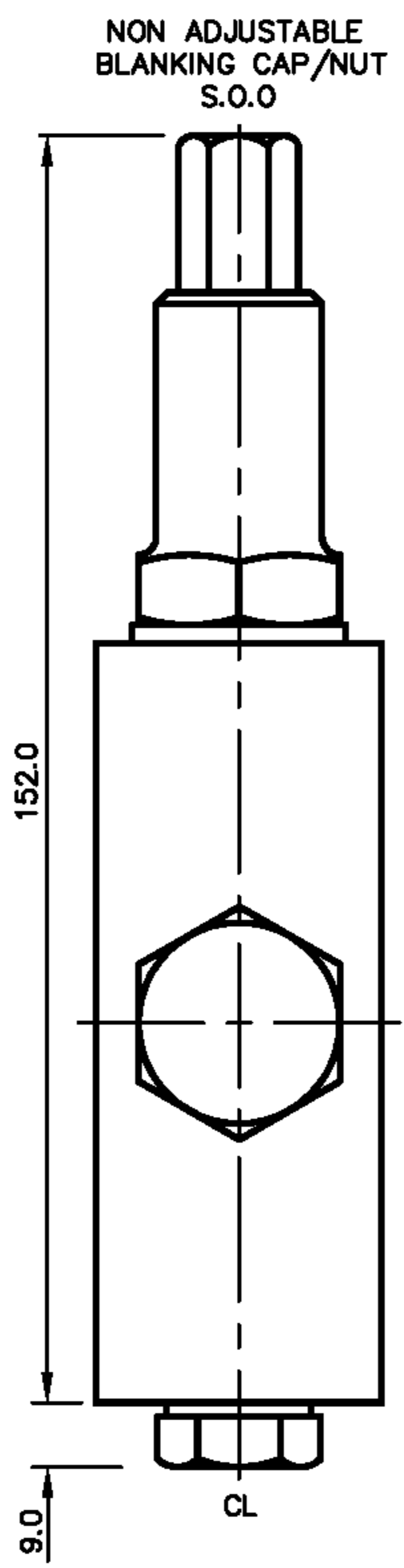
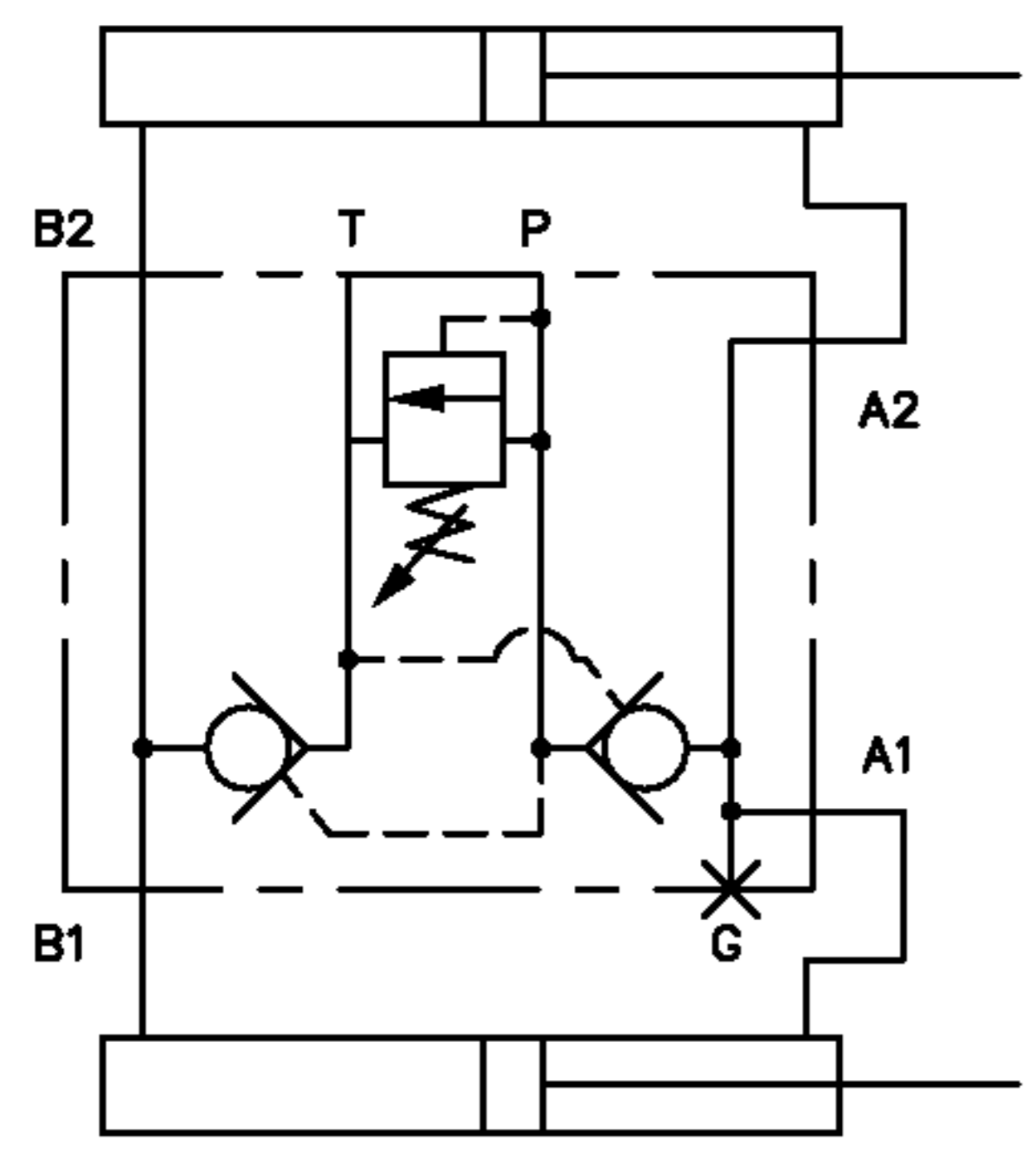


COMBINATION DUAL LOCK RELIEF VALVE
 EXAMPLE V-525-BF200
 SEE VALVE V-525-BF200 8280 FOR OPP HAND
 MAX WORKING PRESSURE 350 BAR

| VALVE ORDERING INFORMATION | |
|----------------------------|--------------|
| TYPE | PORTS |
| V-525-BF200 | 3/8 BSP (PL) |
| ALL DIMENSIONS IN MM | |



VALVE TYPE **COMBINATION VALVE**
 DUAL P.O.CHECK & SINGLE CROSS LINE RELIEF VALVE

DATE: 30/04/99
 ASSY: 5825
 SCALE: N.T.S

TITLE **INSTALLATION**
 V-525-BF200

DRG NO **5826** ISS **A**