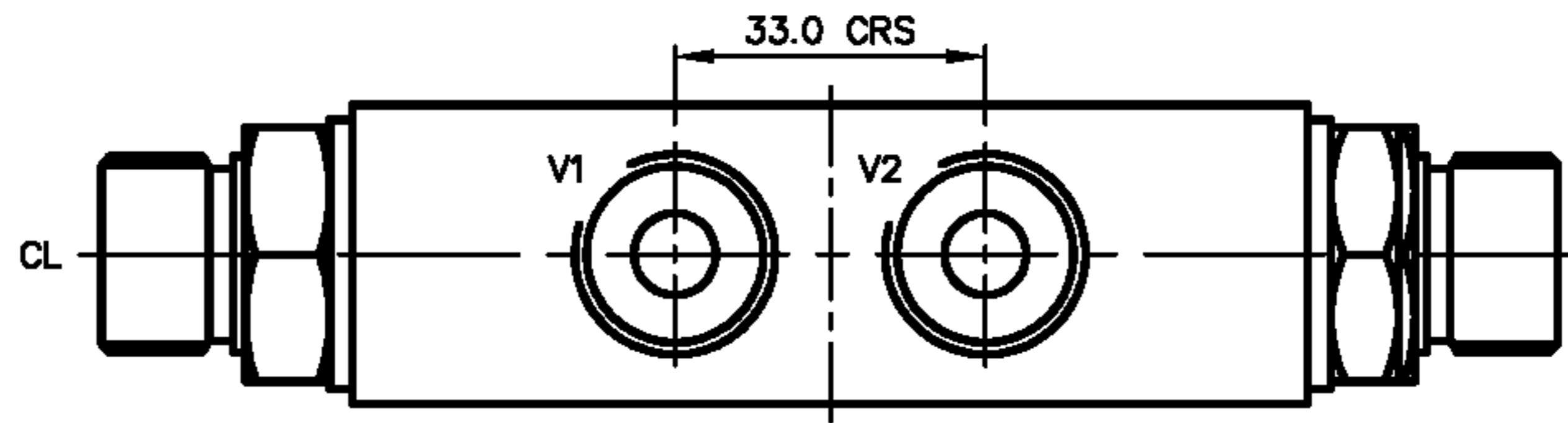
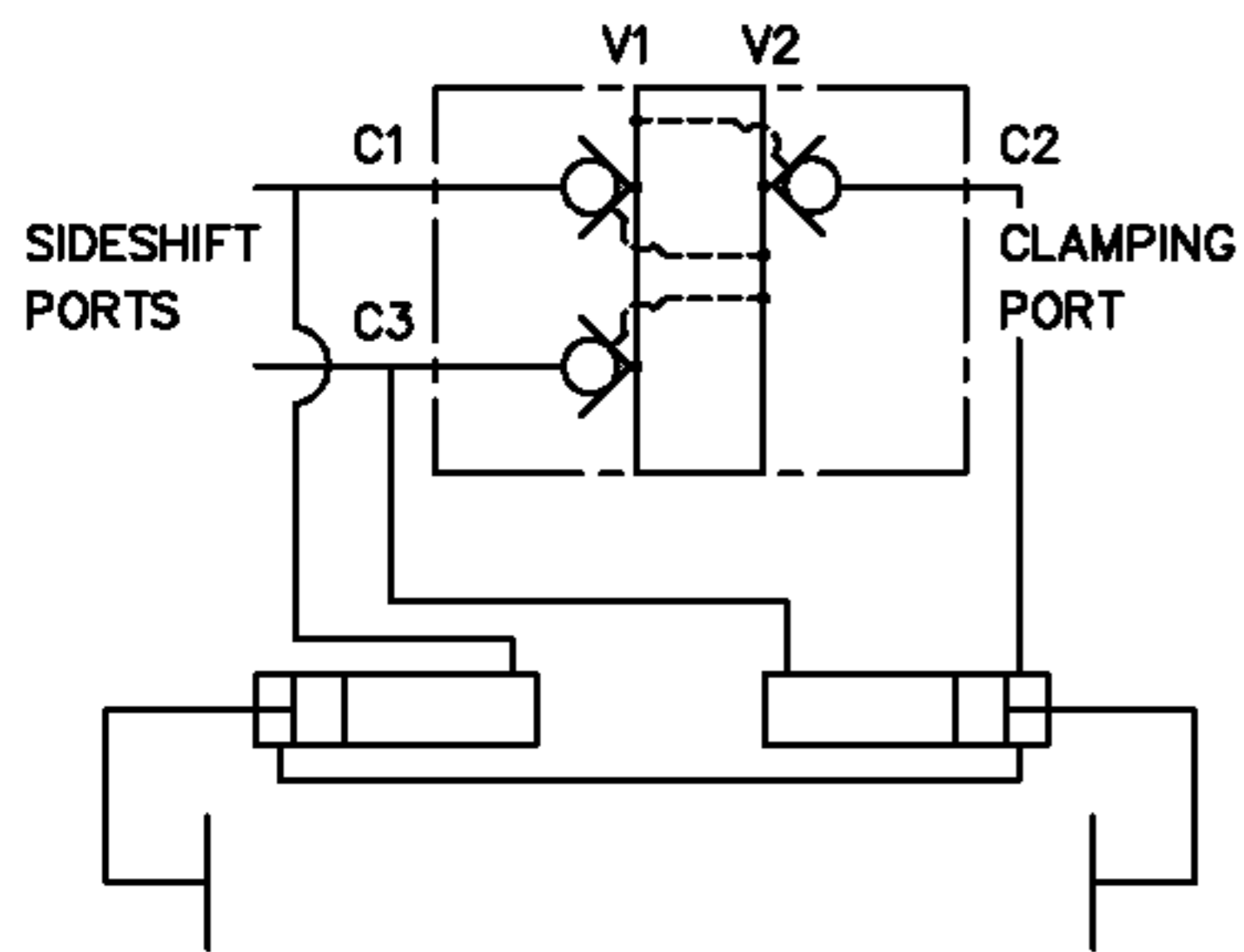
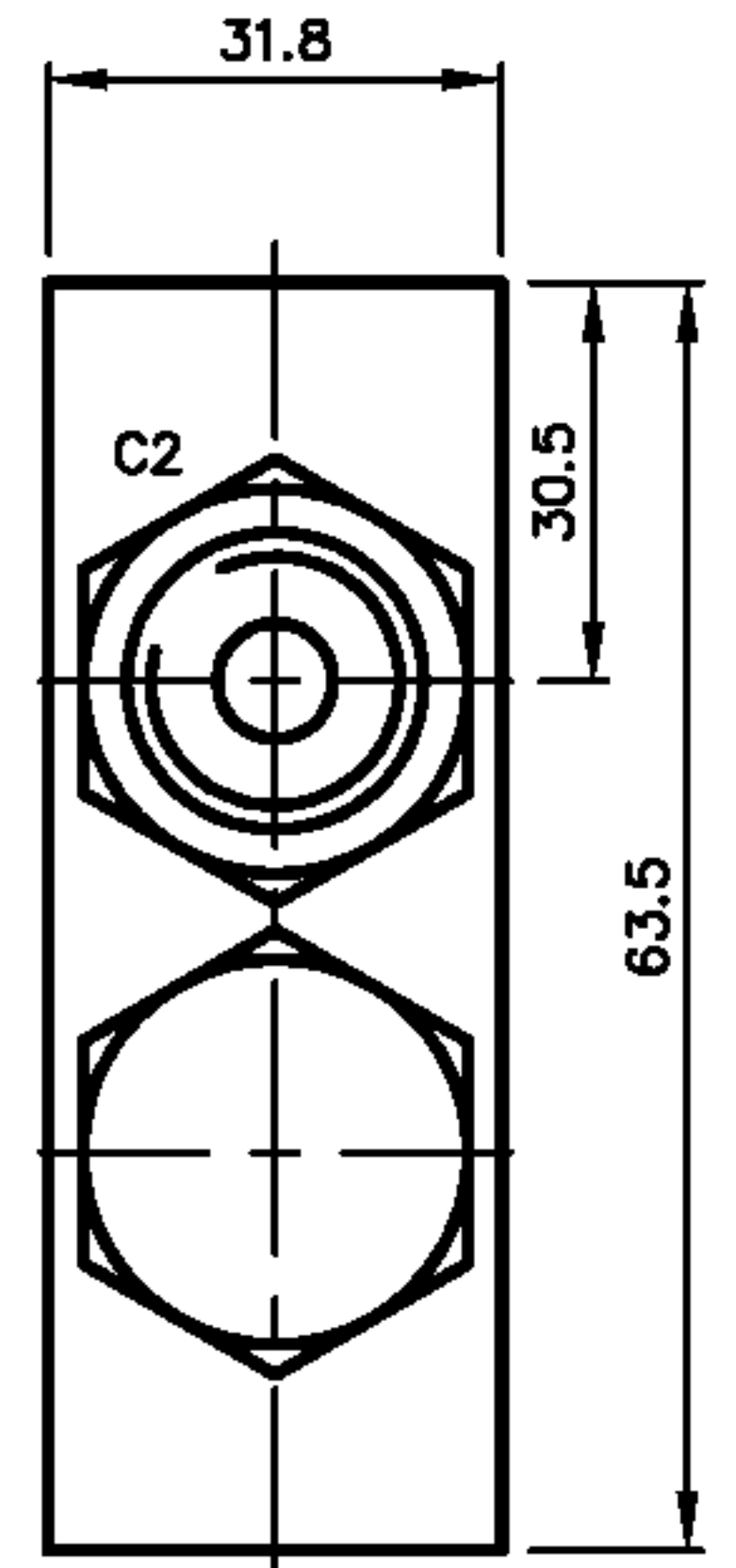
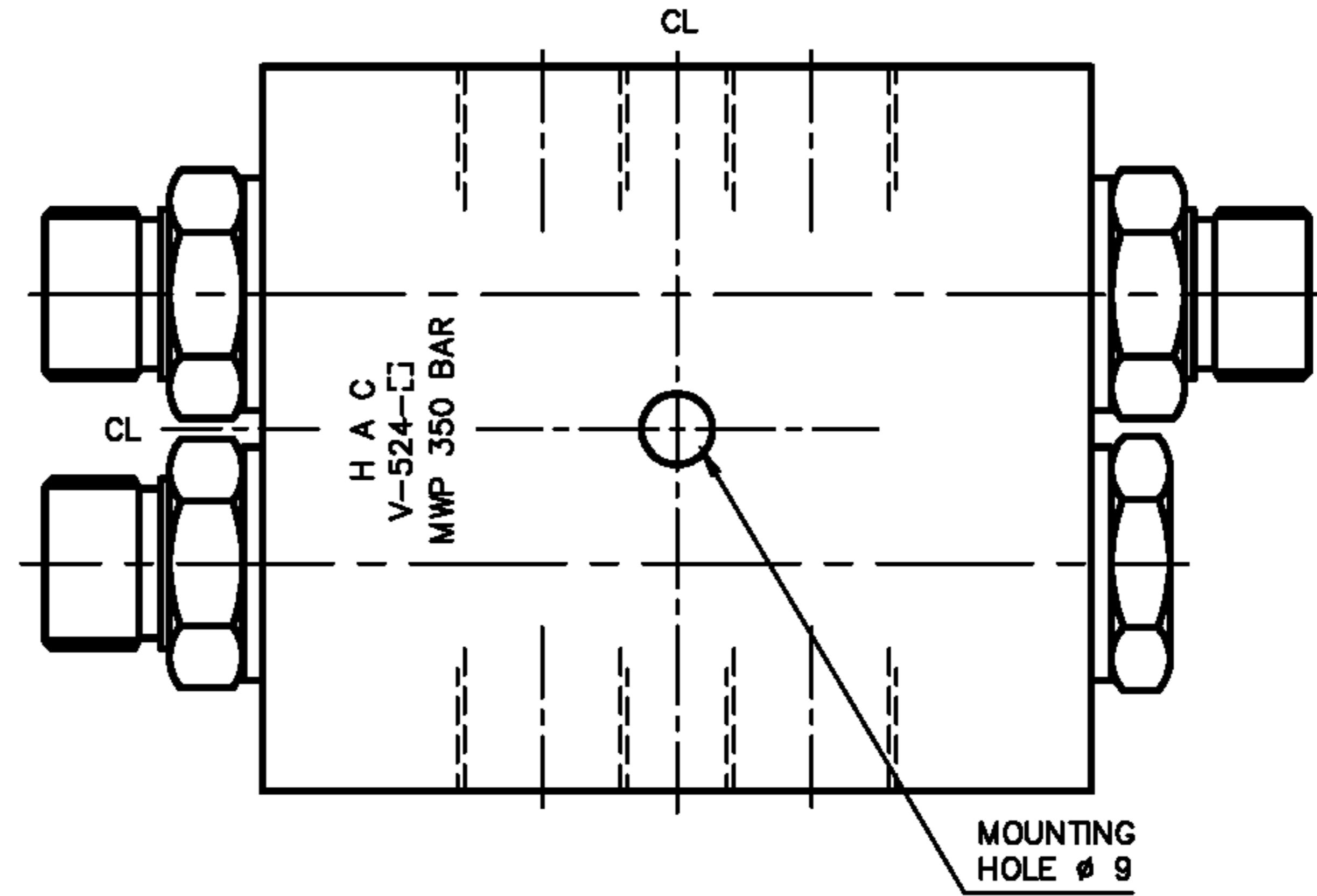
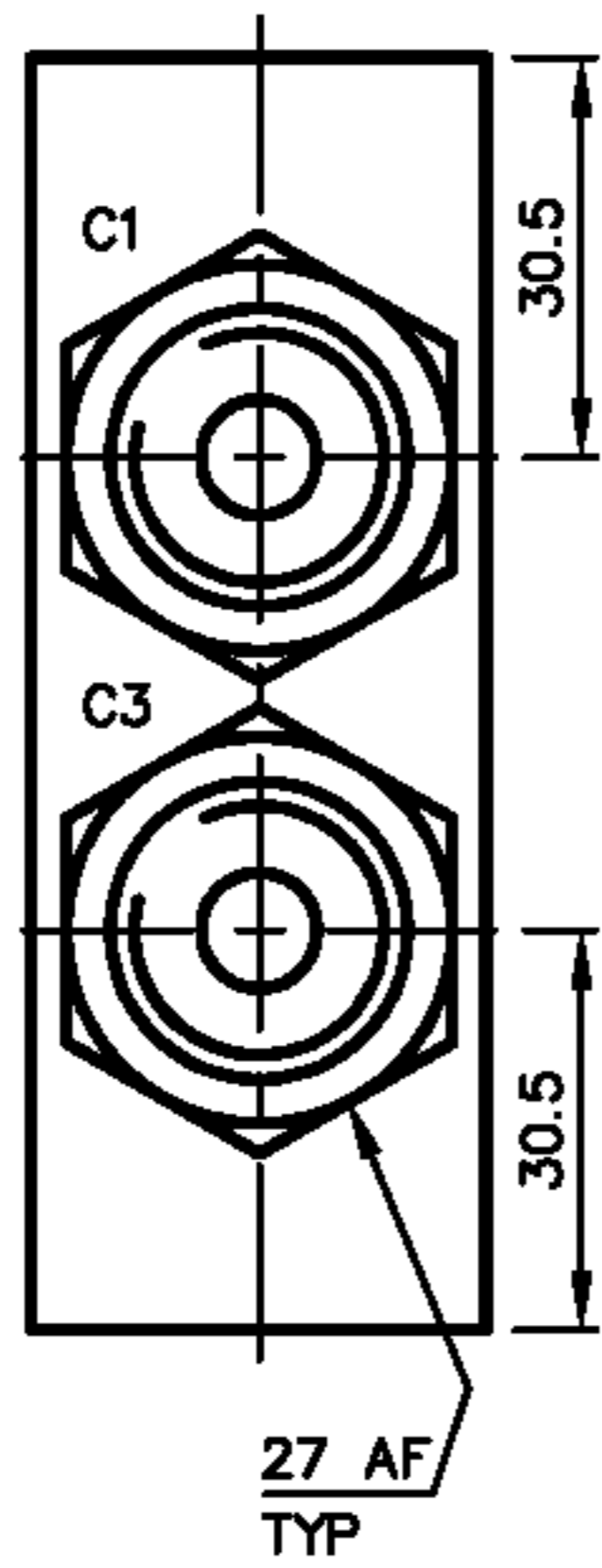
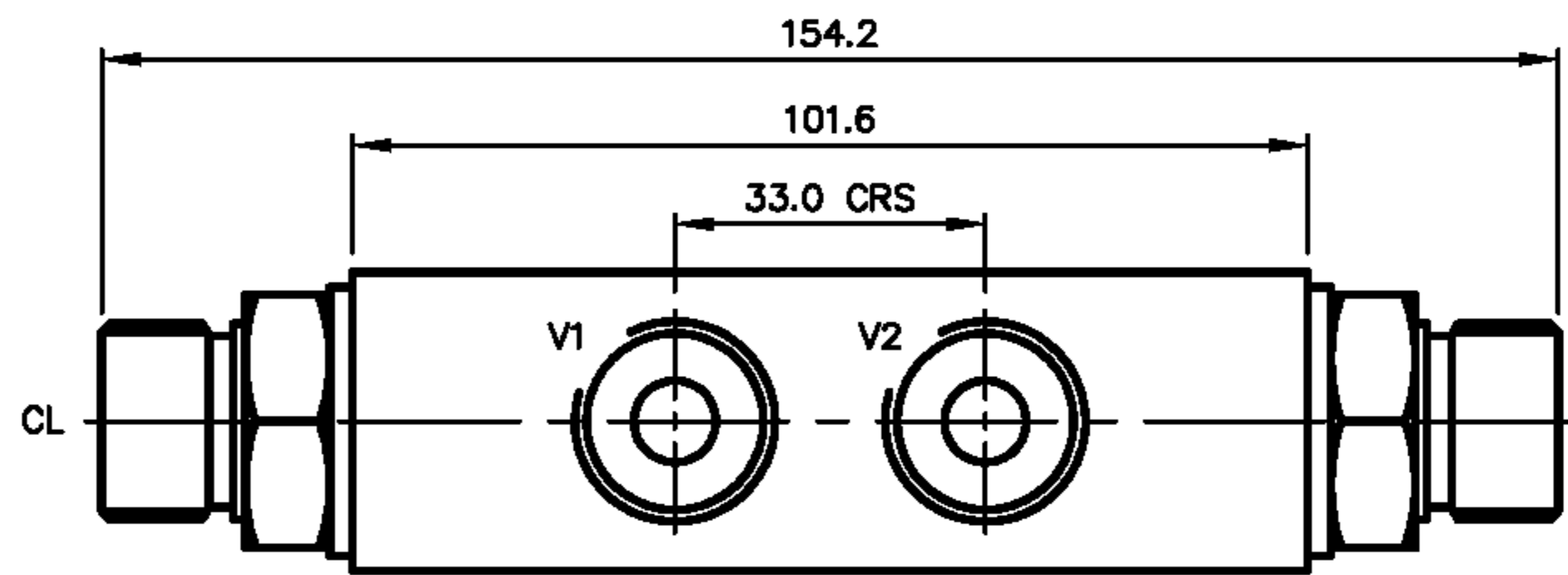


COMBINATION SIDESHIFT VALVE
 EXAMPLE V-524-□
 MAX WORKING PRESSURE 350 BAR

VALVE ORDERING INFORMATION	
TYPE	PORTS
V-524-A	1/4 BSP (PL)
V-524-B	3/8 BSP (PL)
V-524-C	1/2 BSP (PL)

ALL DIMENSIONS IN MM



VALVE TYPE
 COMBINATION VALVE
 SIDESHIFT/CLAMP VALVE

DATE: 04/10/01
 ASSY: 5425
 SCALE: 1:1

TITLE
 INSTALLATION
 V-524-□

DRG NO
 5426A
 ISS