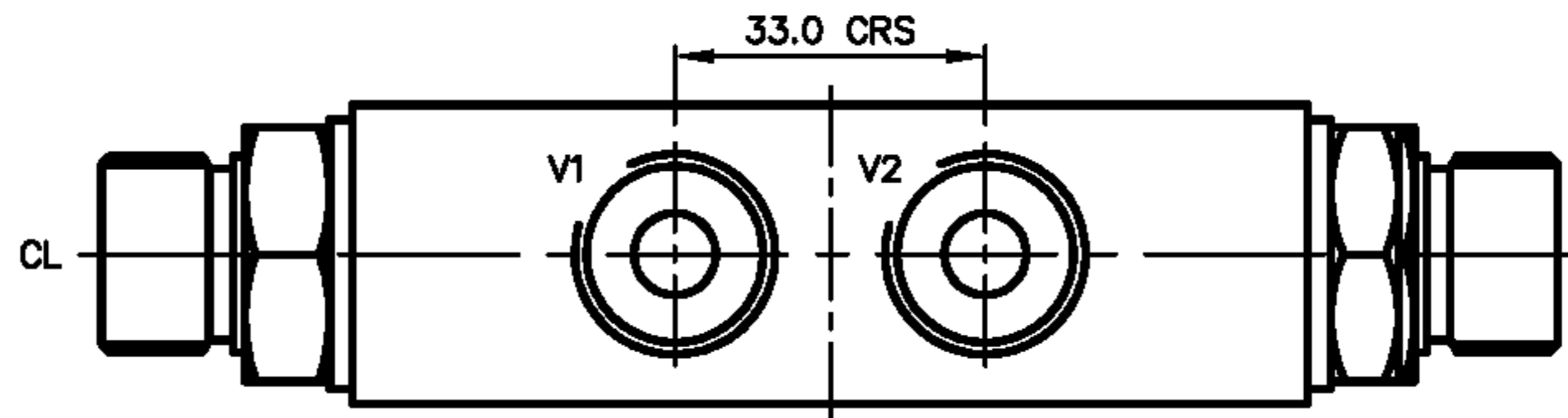
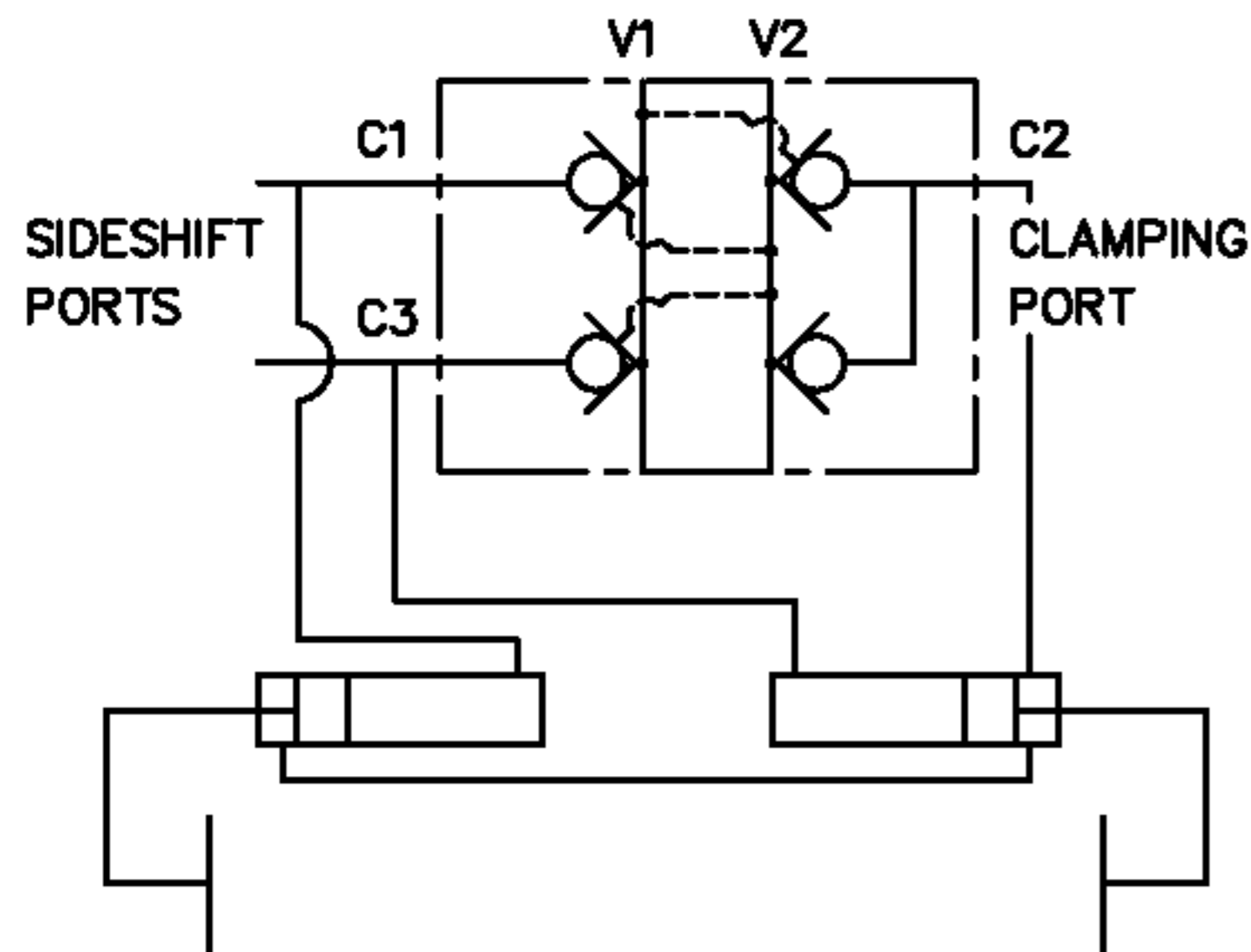
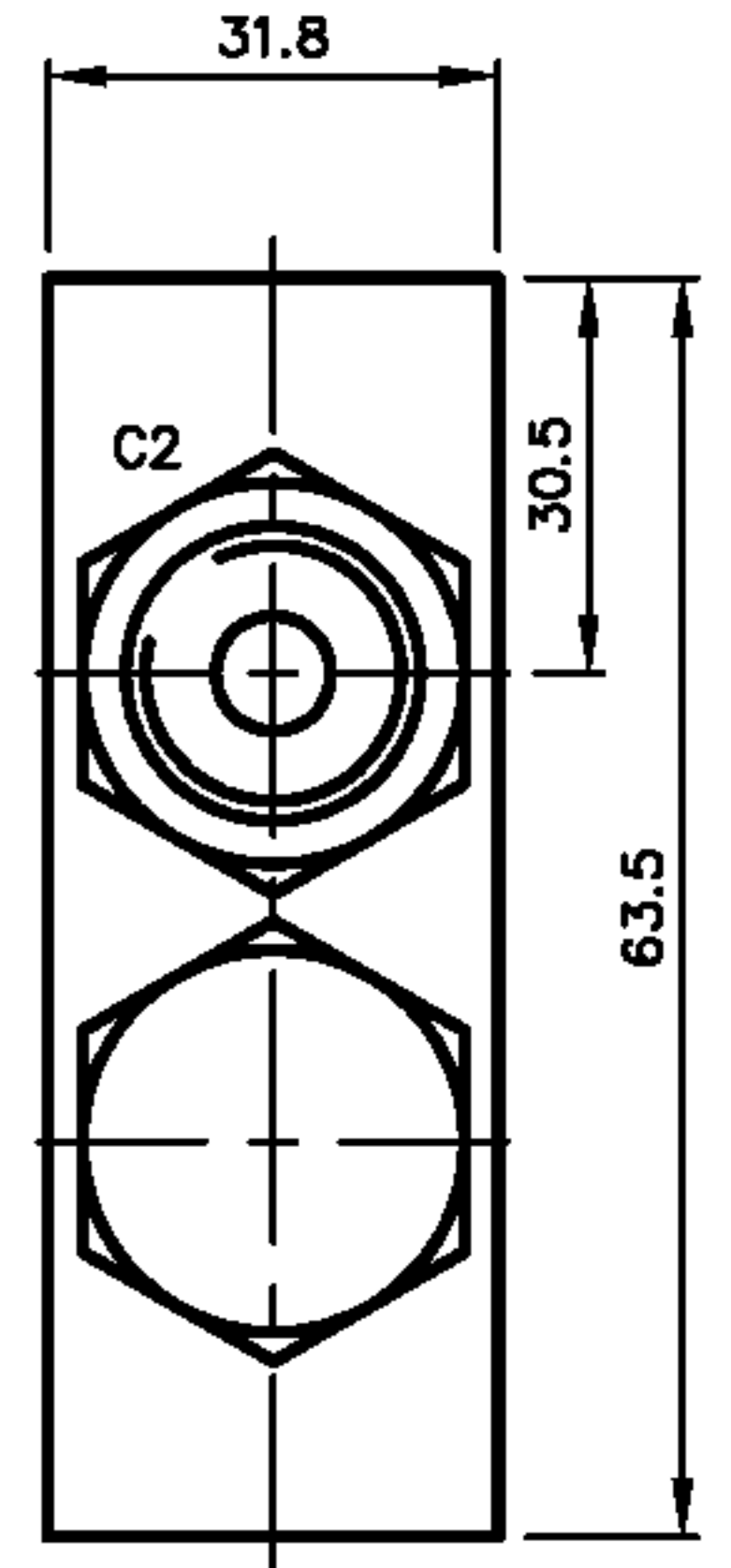
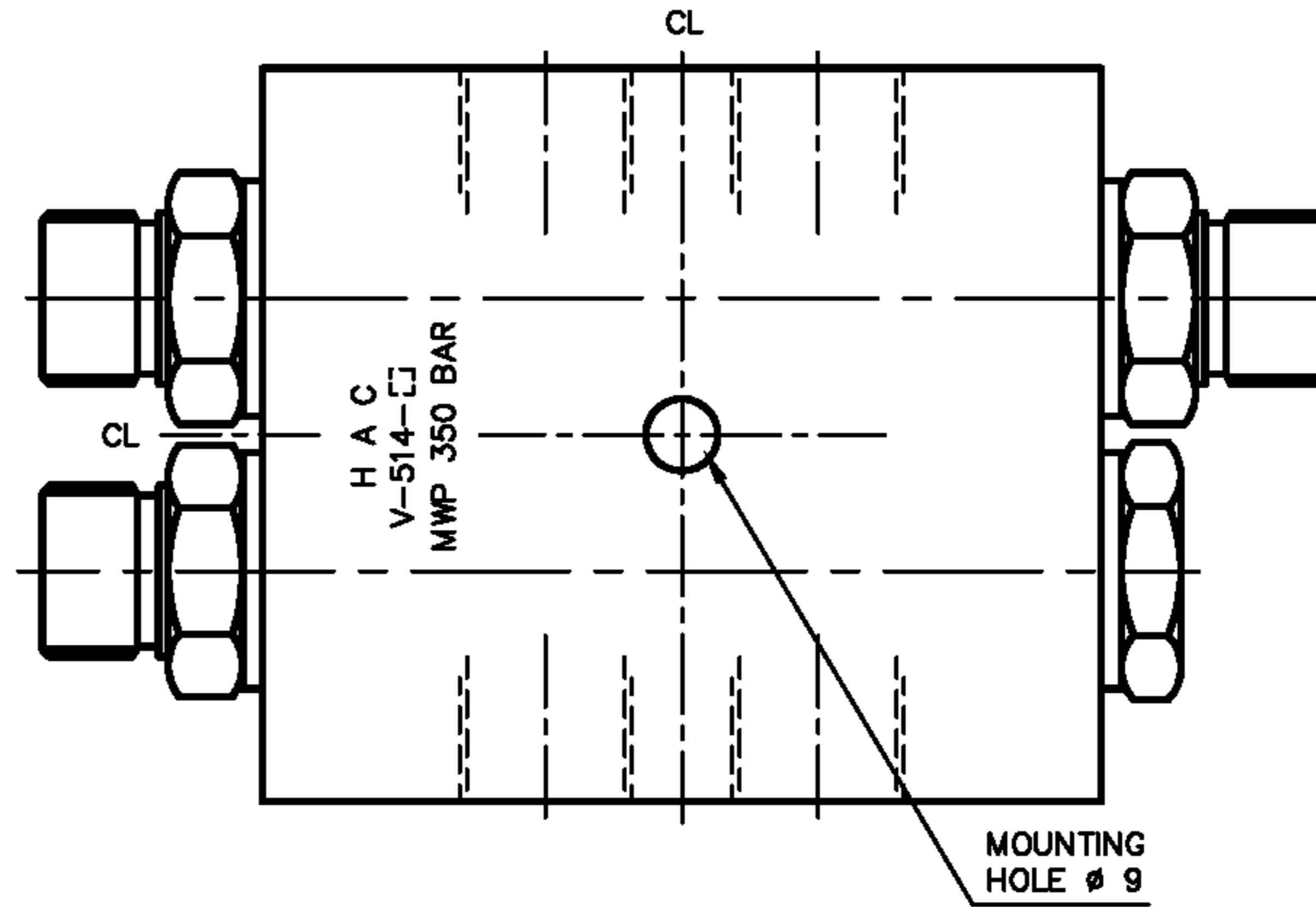
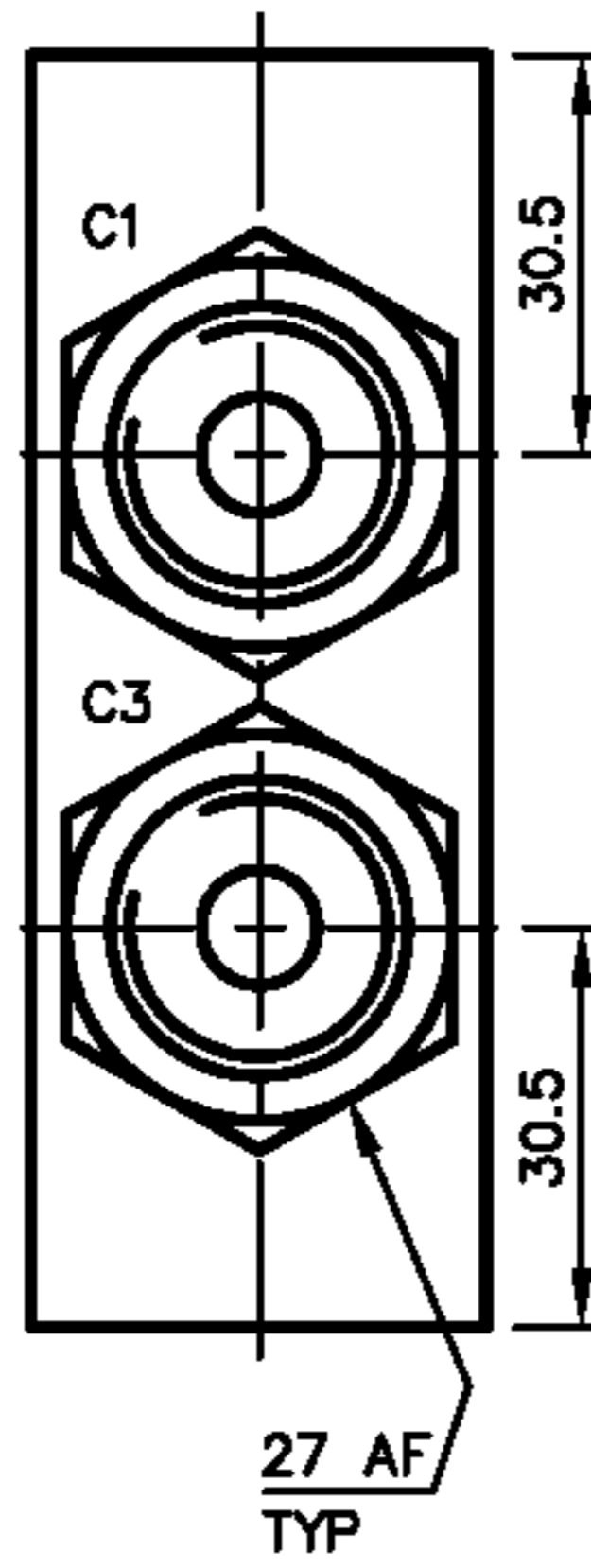
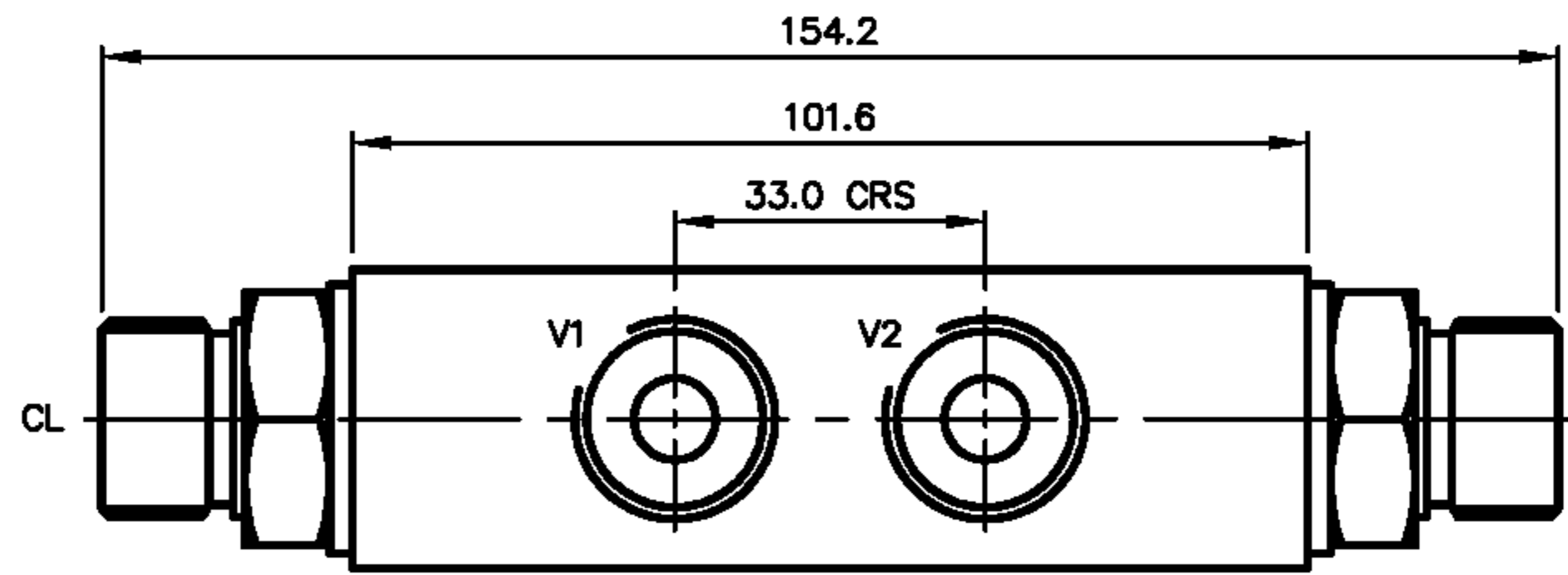


| | |
|-------------------------------------|--|
| COMBINATION LOCK VALVE | |
| EXAMPLE V-514-□ | |
| MAX WORKING PRESSURE 350 BAR | |

| VALVE ORDERING INFORMATION | |
|----------------------------|--------------|
| TYPE | PORTS |
| V-514-A | 1/4 BSP (PL) |
| V-514-B | 3/8 BSP (PL) |
| V-514-C | 1/2 BSP (PL) |

ALL DIMENSIONS IN MM



VALVE TYPE

COMBINATION VALVE
FORK LIFT SIDESHIFT/CLAMP VALVE

DATE: 04/10/01
ASSY: 5240
SCALE: 1:1

TITLE INSTALLATION
V-514-□

DRG NO
5241
ISS
A