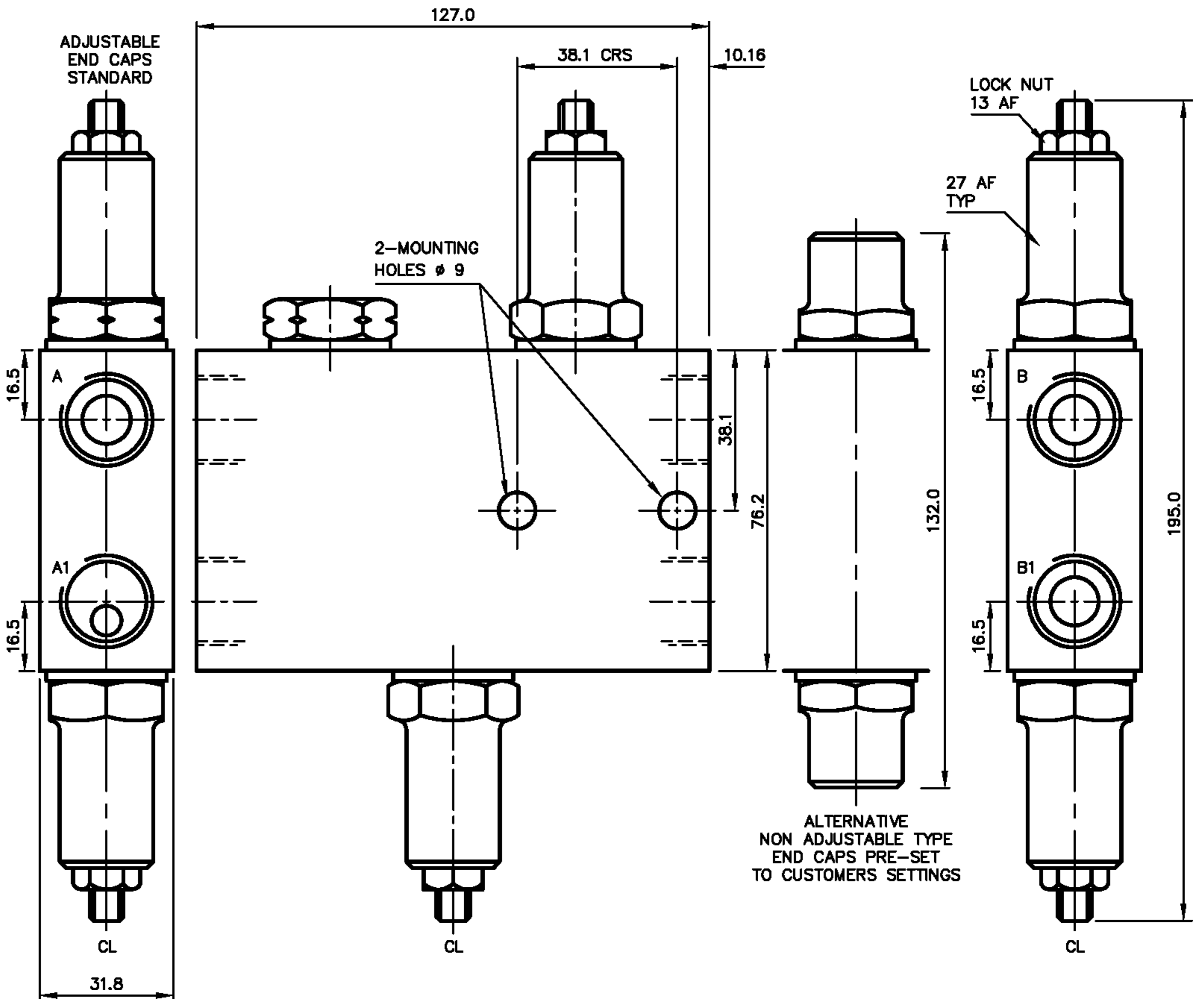
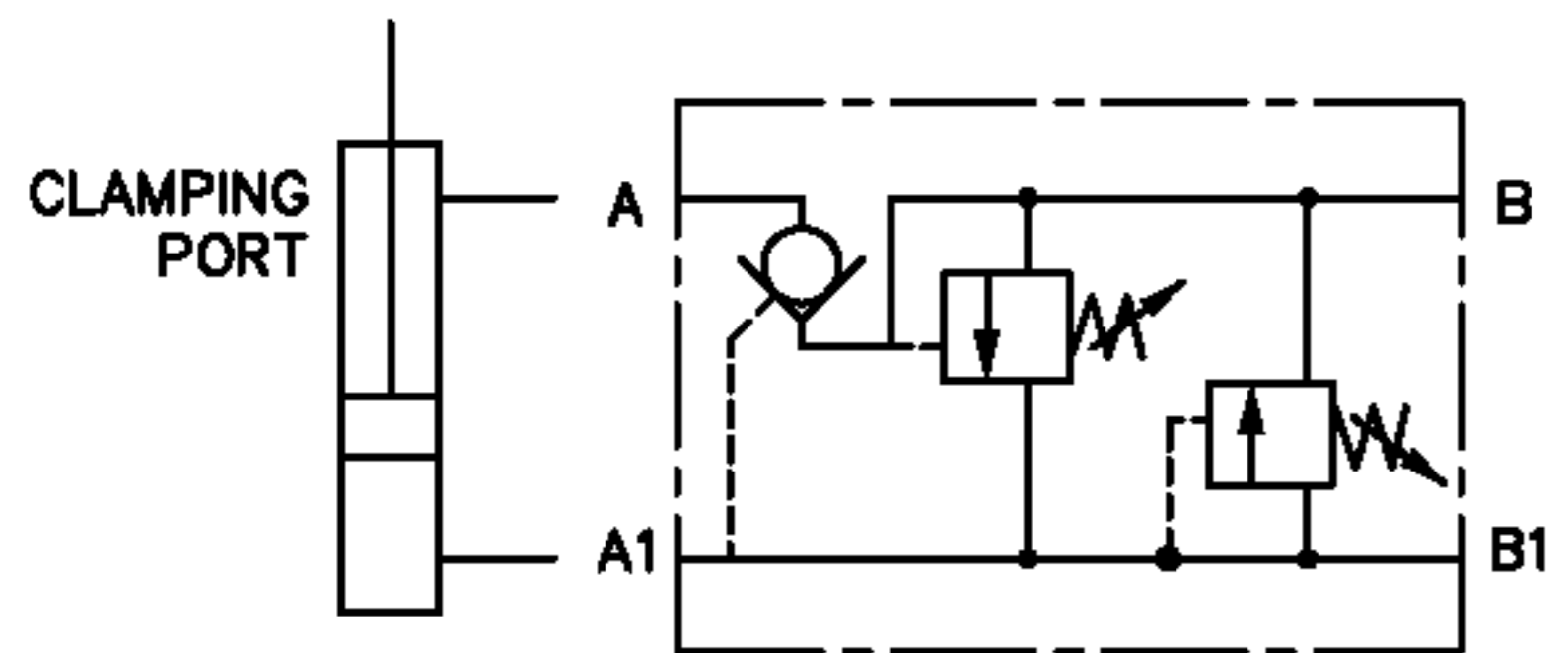


COMBINATION LOCK RELIEF VALVE
EXAMPLE V-507-□ 200
RELIEF PRESSURE RANGE AVAILABLE 0-240 BAR
RELIEF PRESSURE RANGE AVAILABLE 0-138 BAR
RELIEF PRESSURE RANGE AVAILABLE 0-55 BAR
MAX WORKING PRESSURE 350 BAR

VALVE ORDERING INFORMATION	
TYPE	PORTS
V-507-A200	1/4 BSP (PL)
V-507-B200	3/8 BSP (PL)
V-507-C200	1/2 BSP (PL)
ALL DIMENSIONS IN MM	



VALVE TYPE

COMBINATION VALVE
SINGLE.P.O CHECK & DUAL CROSS LINE RELIEF VALVE

DATE: 13/08/02
ASSY: 6940
SCALE: N T S

TITLE INSTALLATION
V-507-□200

DRG NO
6941
ISS
A