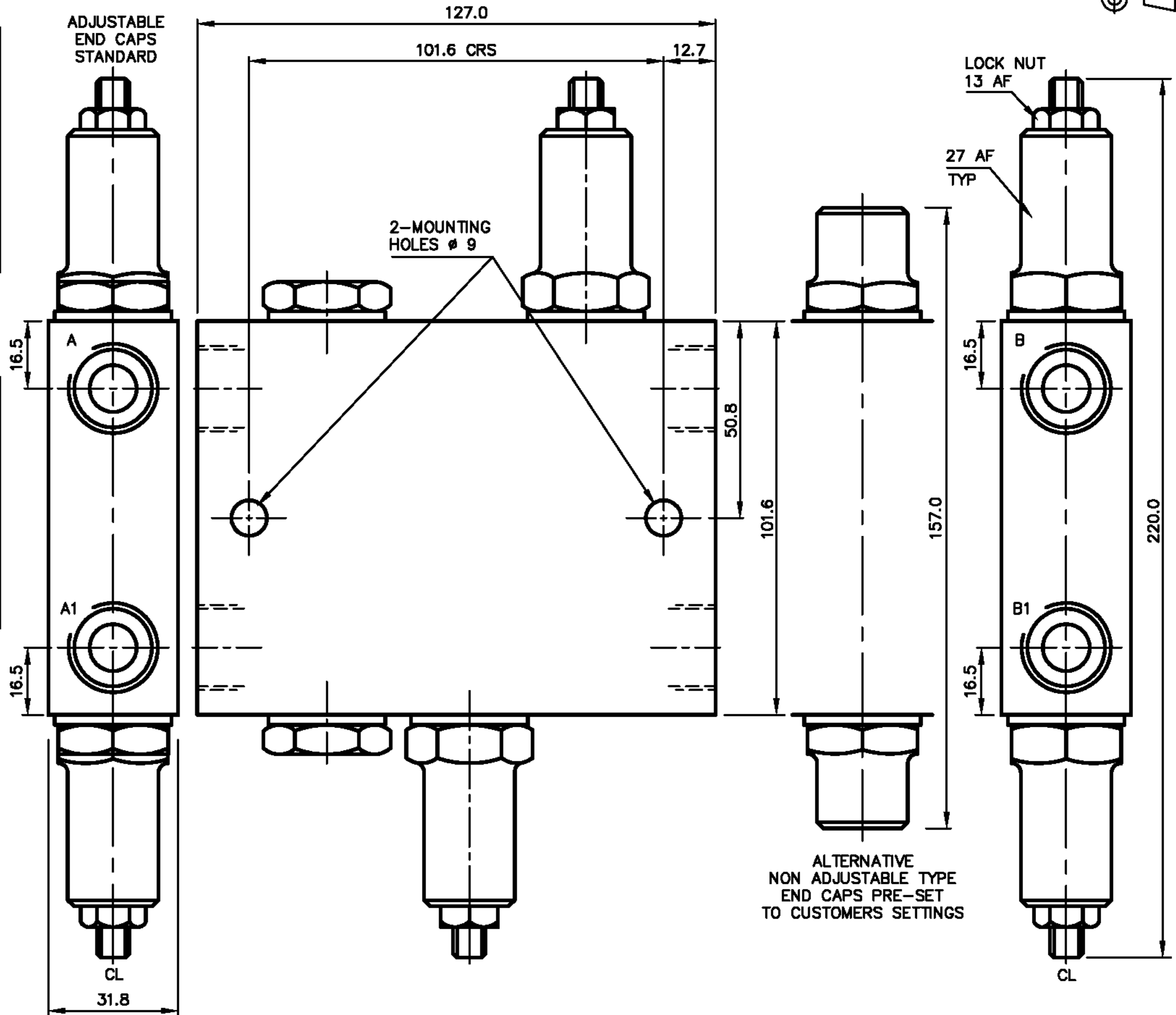
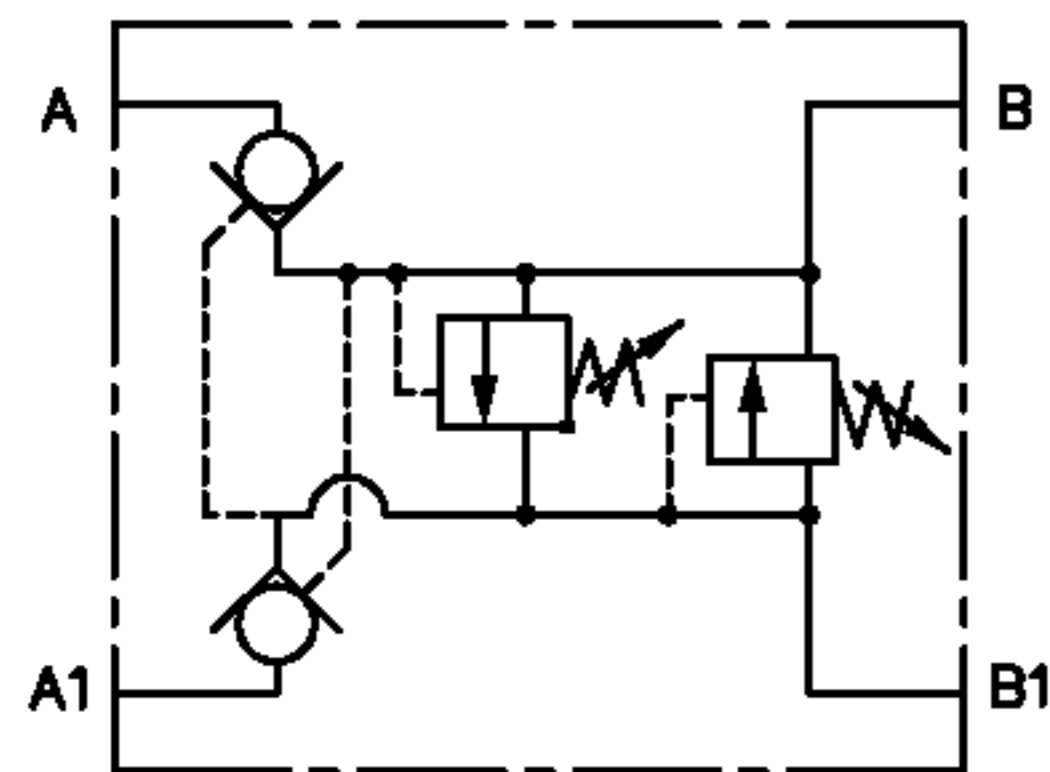


<b>COMBINATION LOCK RELIEF VALVE</b>	
EXAMPLE V-506-□	
RELIEF PRESSURE RANGE AVAILABLE 0-240 BAR	
RELIEF PRESSURE RANGE AVAILABLE 0-138 BAR	
RELIEF PRESSURE RANGE AVAILABLE 0-55 BAR	
<b>MAX WORKING PRESSURE 350 BAR</b>	

VALVE ORDERING INFORMATION	
TYPE	PORTS
V-506-A	1/4 BSP (PL)
V-506-B	3/8 BSP (PL)
V-506-C	1/2 BSP (PL)
ALL DIMENSIONS IN MM	



VALVE TYPE **COMPACT COMBINATION VALVE**  
 DUAL P.O CHECK & DUAL CROSS LINE RELIEF VALVE

DATE: 13/08/02  
 ASSY: 6670  
 SCALE: N T S

TITLE **INSTALLATION**  
 V-506-□

DRG NO **6671** ISS **A**