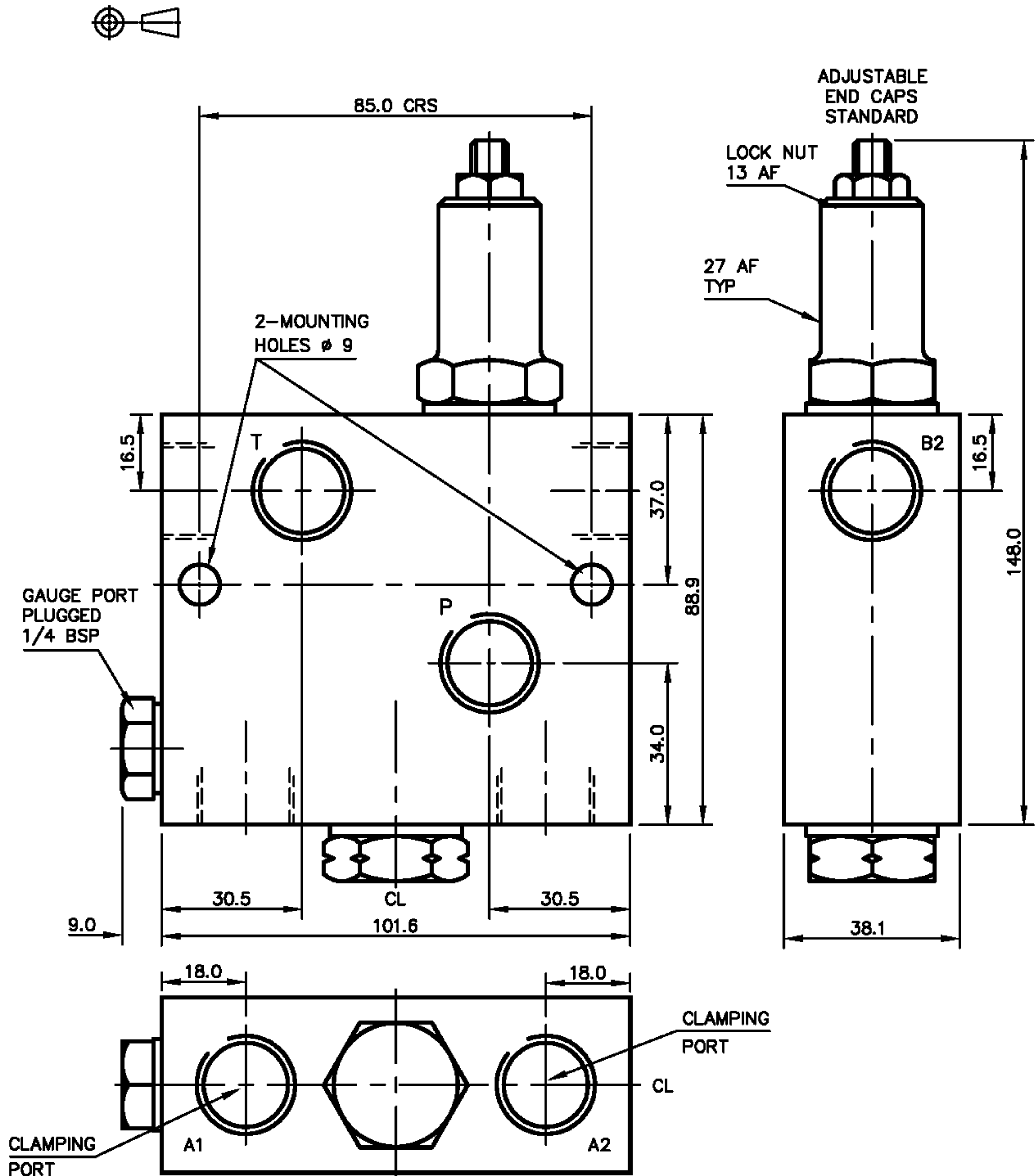
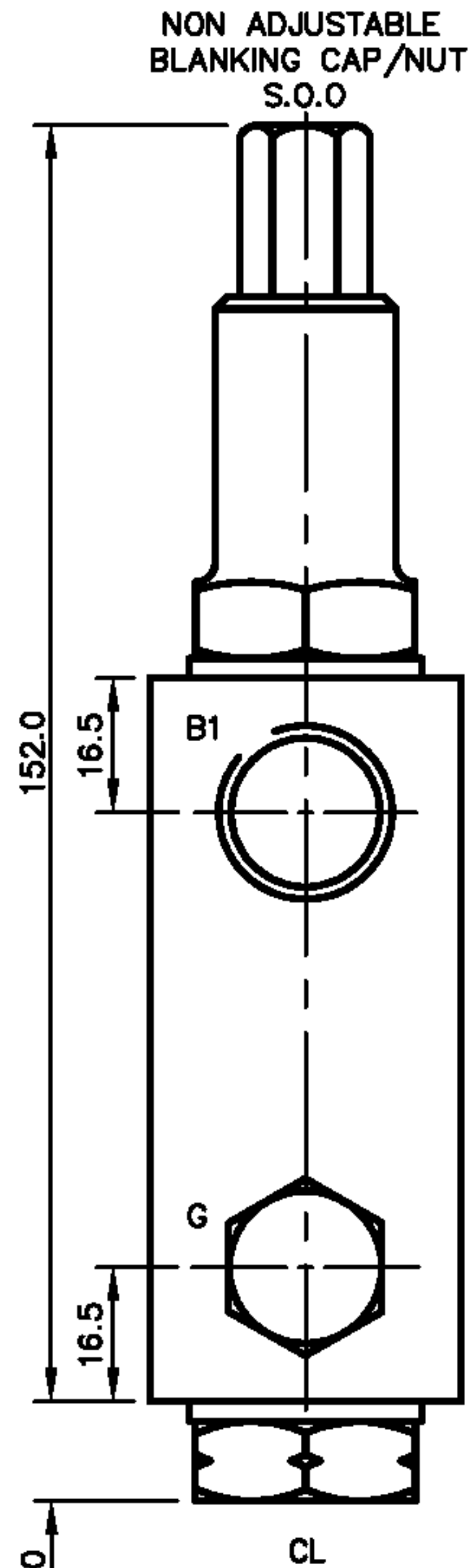
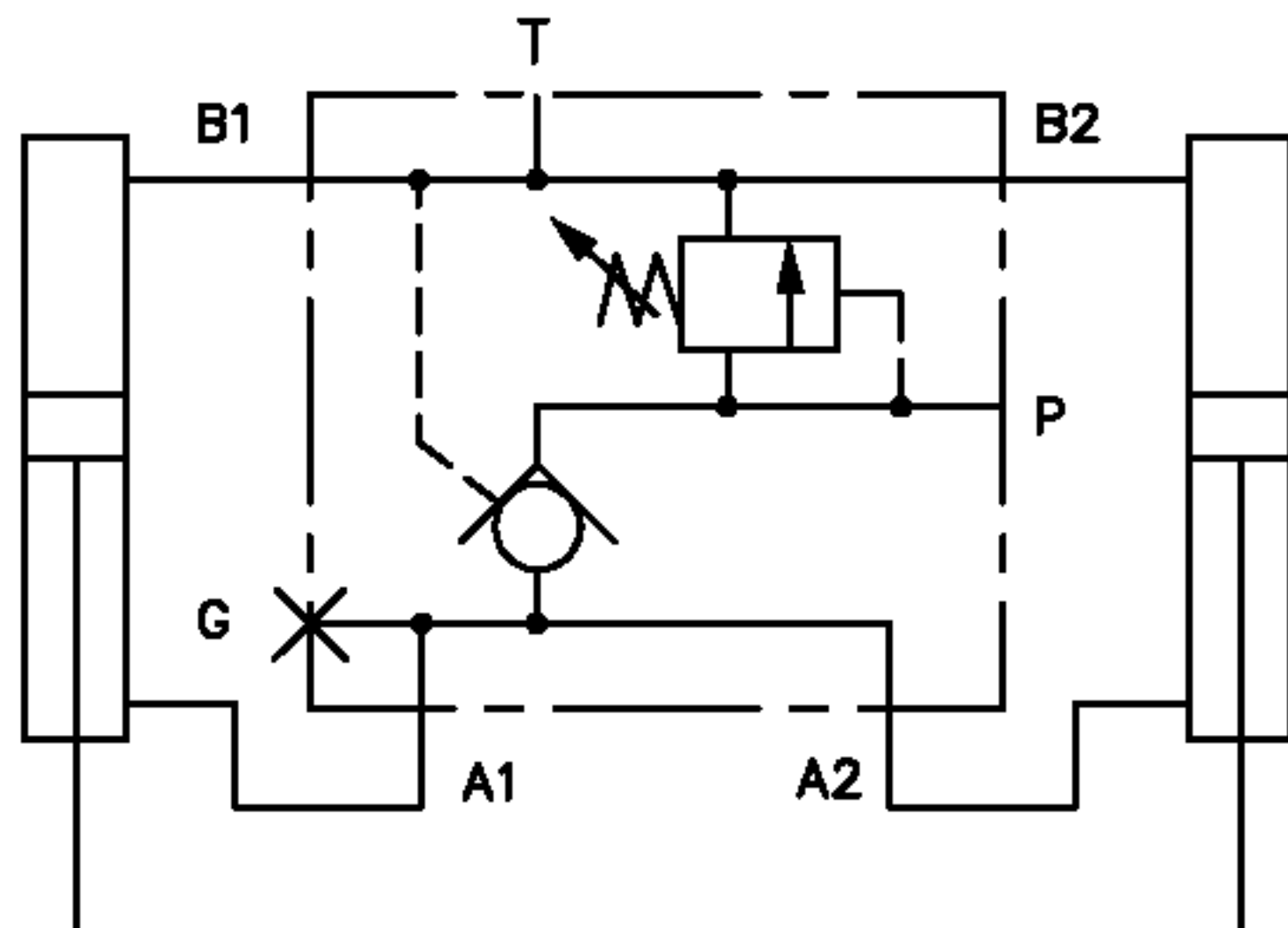


COMBINATION LOCK RELIEF VALVE	
EXAMPLE V-505-C200	
MAX WORKING PRESSURE 350 BAR	

VALVE ORDERING INFORMATION	
TYPE	PORTS
V-505-C200	1/2 BSP (PL)
ALL DIMENSIONS IN MM	



VALVE TYPE **COMPACT COMBINATION VALVE**
 SINGLE P.O CHECK & SINGLE CROSS LINE RELIEF VALVE

DATE: 22/08/00
 ASSY: 5675
 SCALE: N.T.S

TITLE **INSTALLATION**
 V-505-C200

DRG NO **5676** ISS **A**