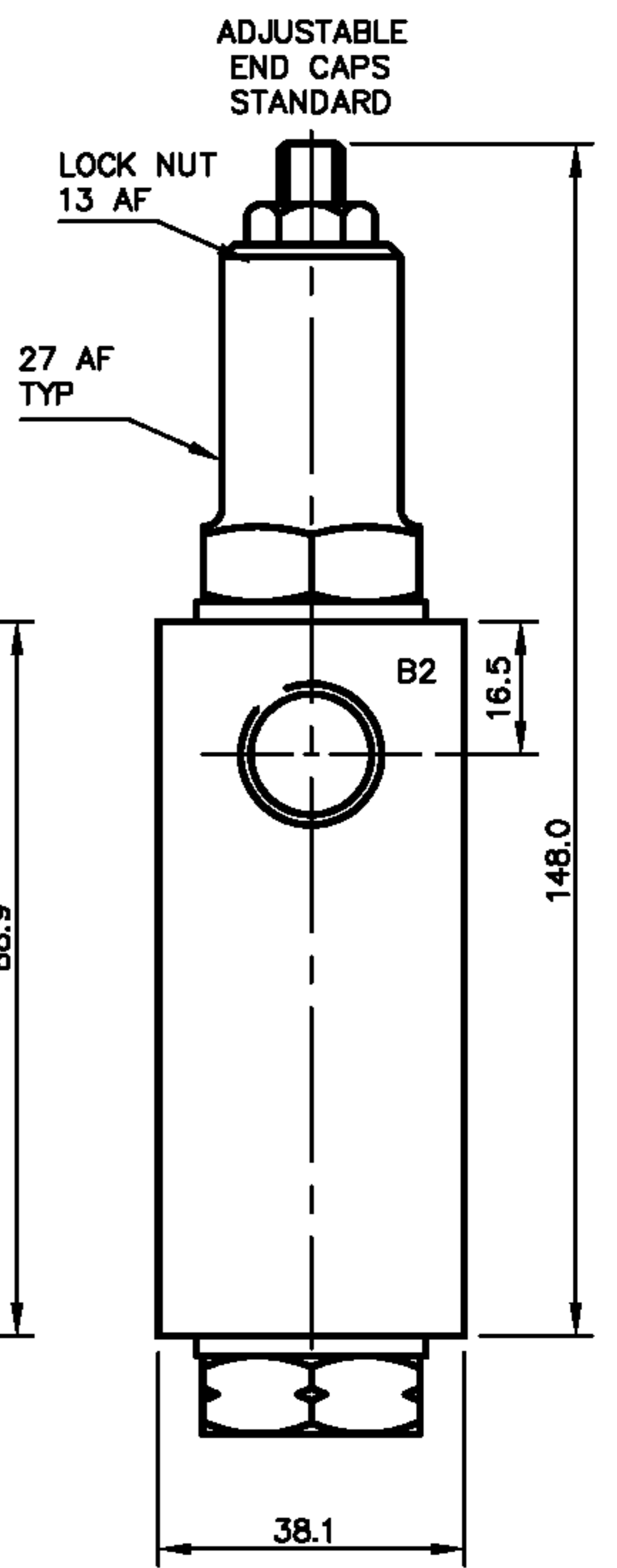
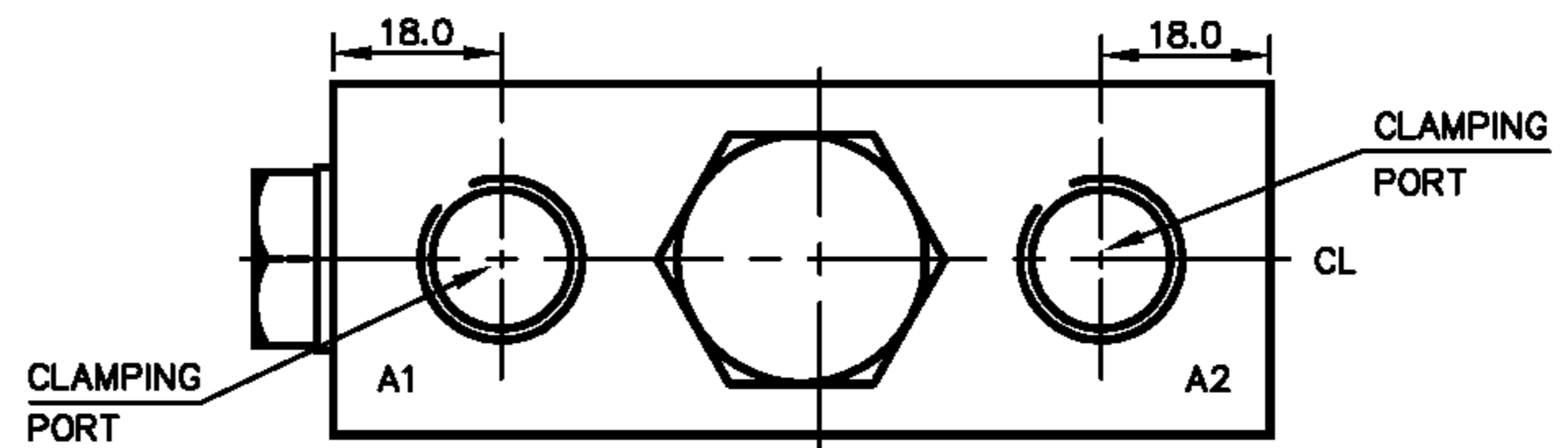
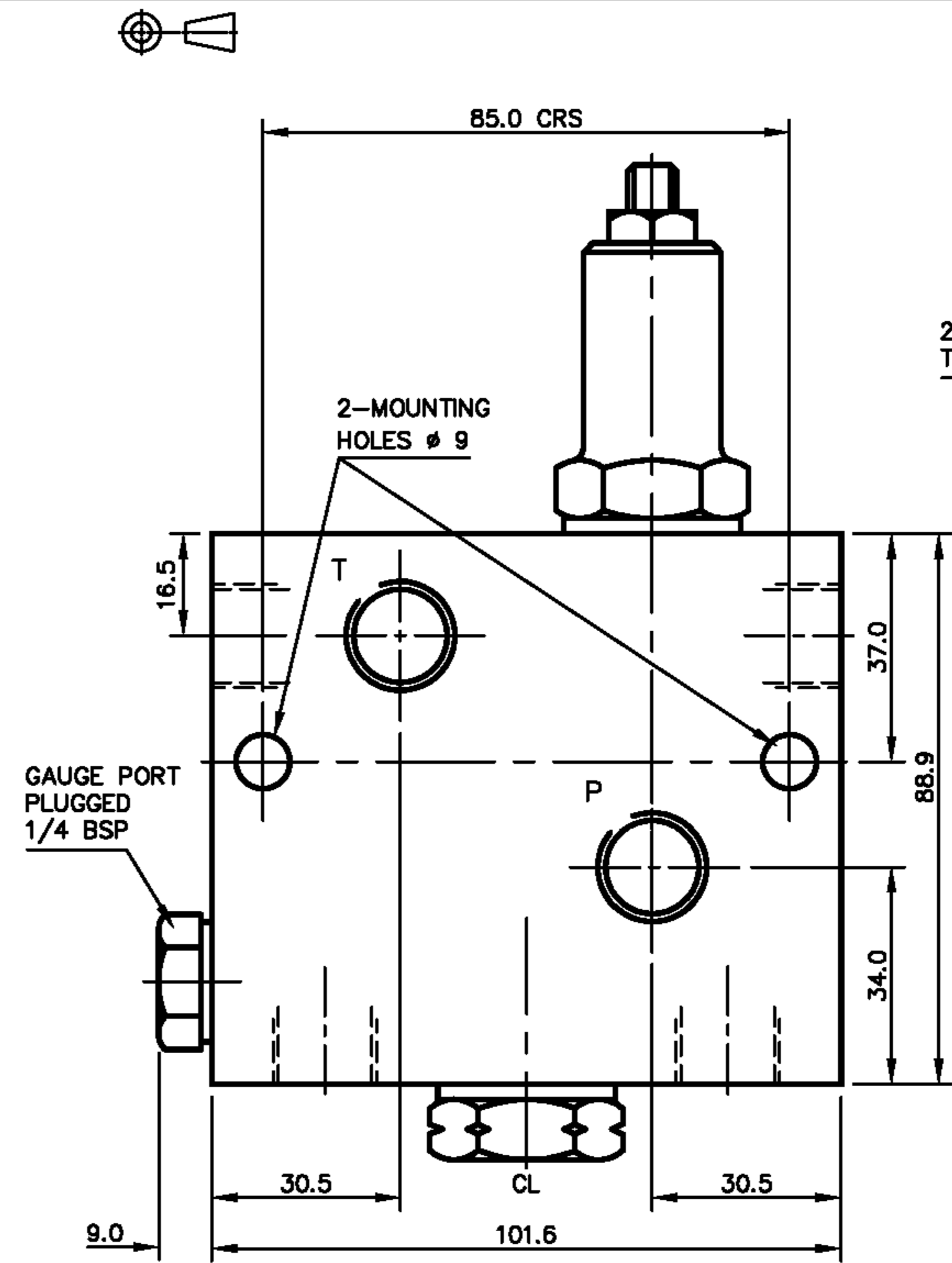
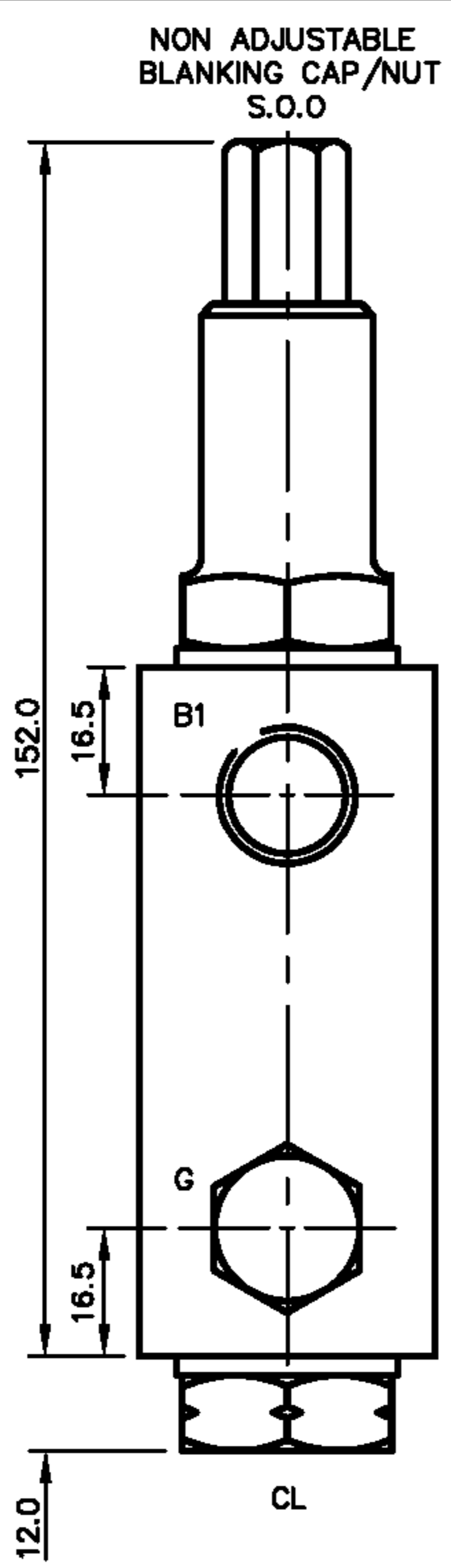
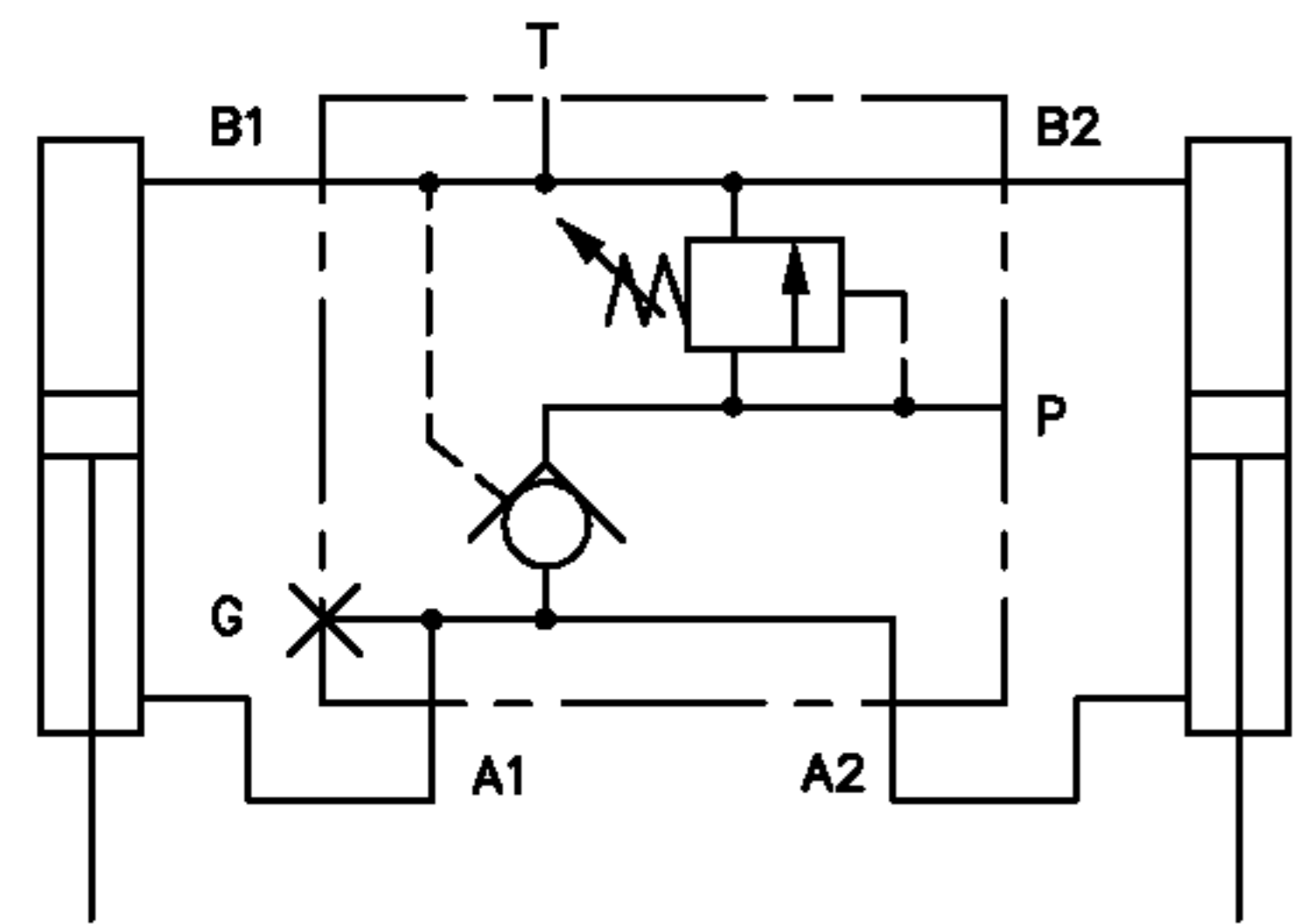


COMBINATION LOCK RELIEF VALVE  
 EXAMPLE V-505-B200  
 MAX WORKING PRESSURE 350 BAR

VALVE ORDERING INFORMATION	
TYPE	PORTS
V-505-B200	3/8 BSP (PL)
ALL DIMENSIONS IN MM	



VALVE TYPE **COMBINATION VALVE**  
 SINGLE.P.O CHECK & SINGLE CROSS LINE RELIEF VALVE

DATE: 22/08/00  
 ASSY: 5675  
 SCALE: 1:1

TITLE **INSTALLATION**  
 V-505-B200

DRG NO **5676** ISS **A**