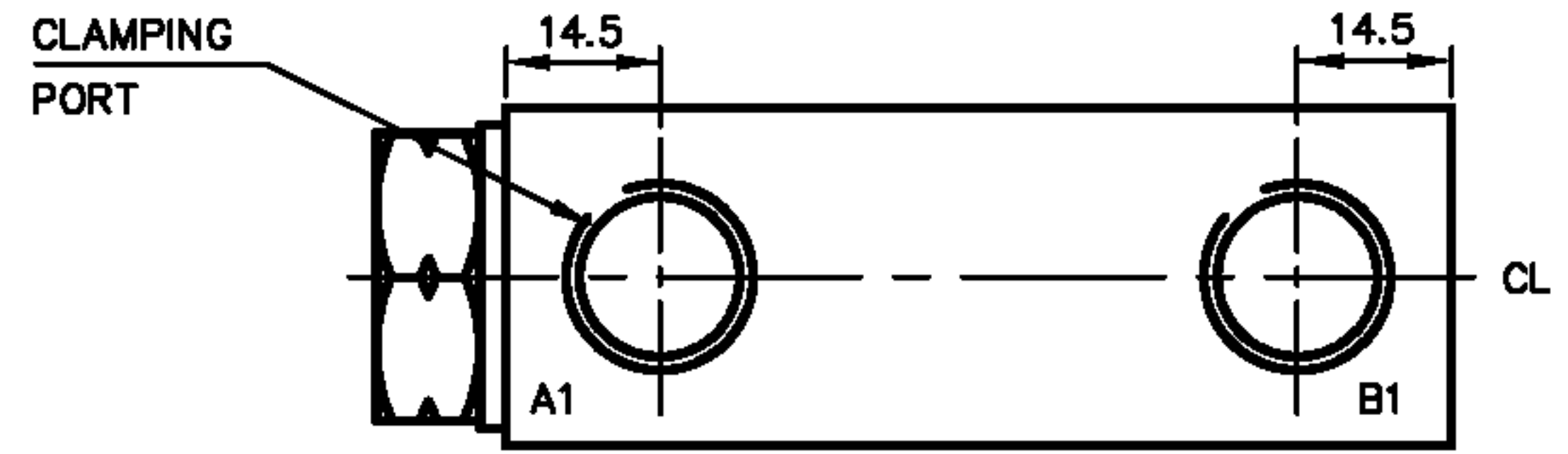
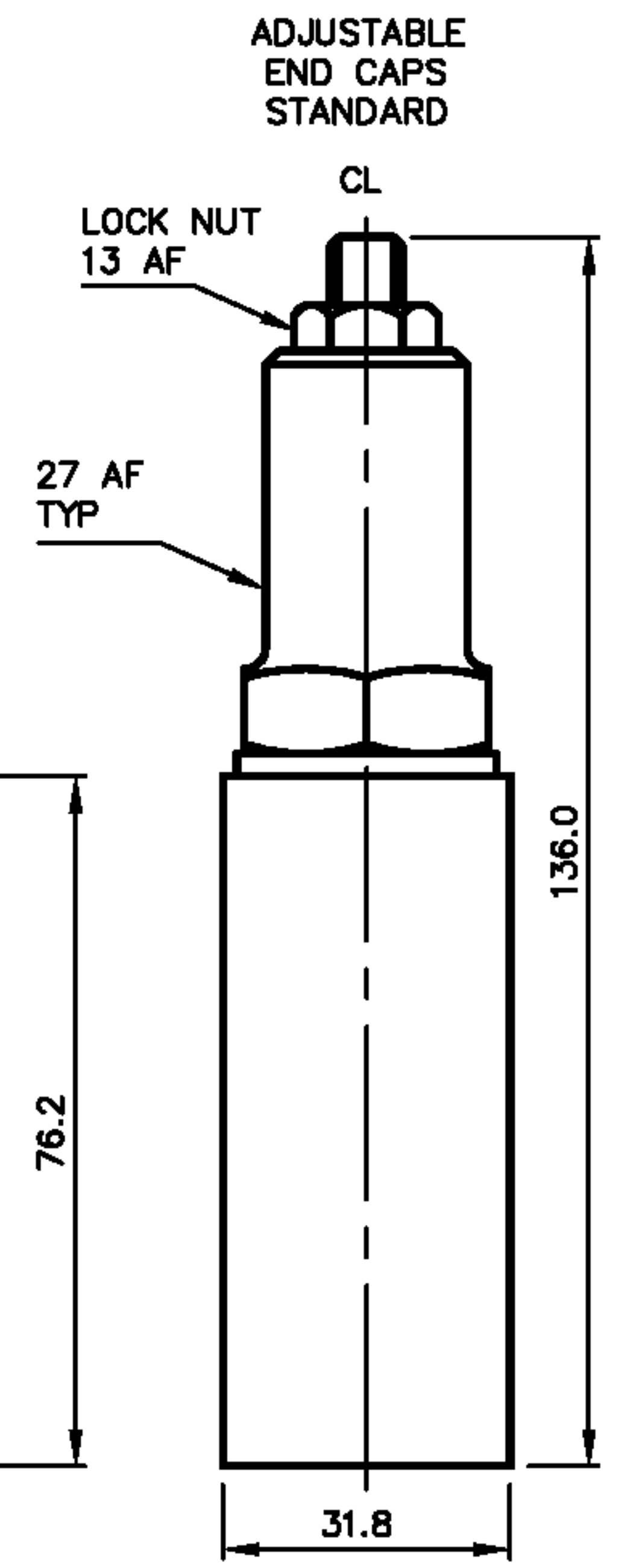
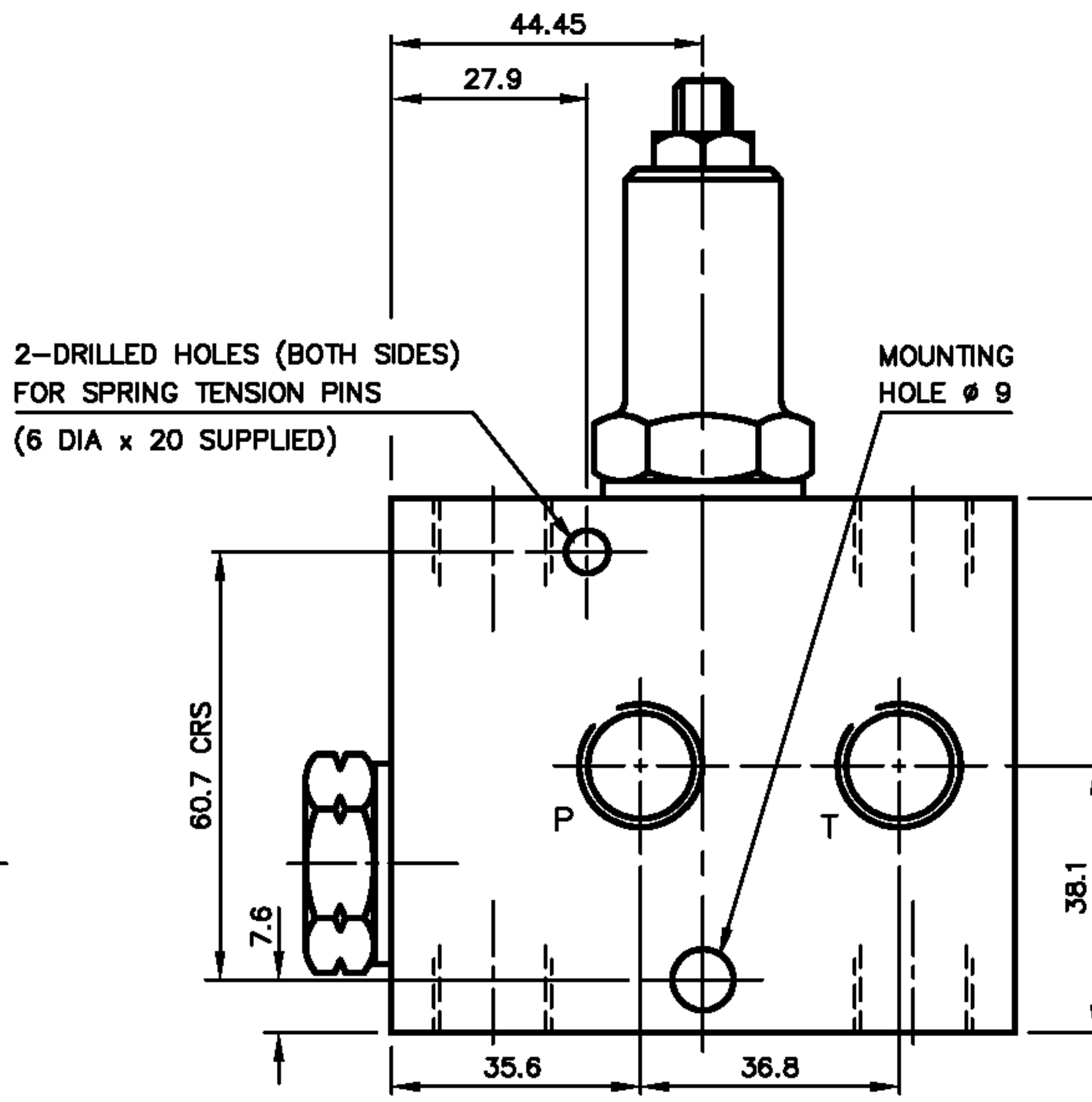
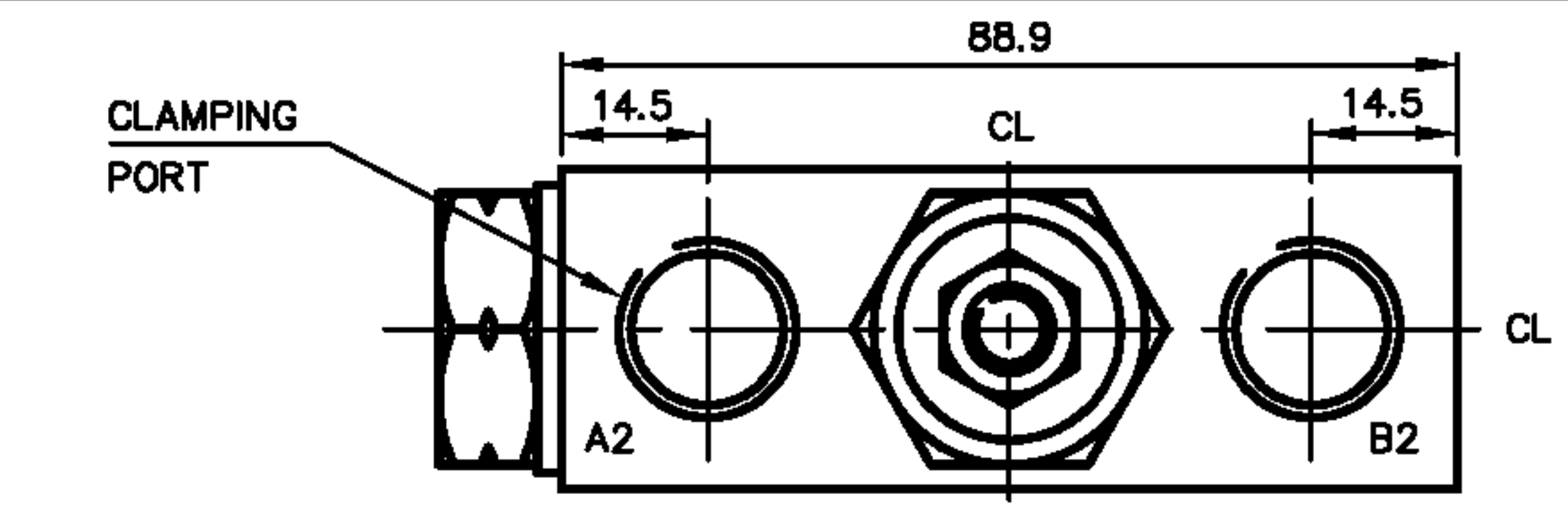
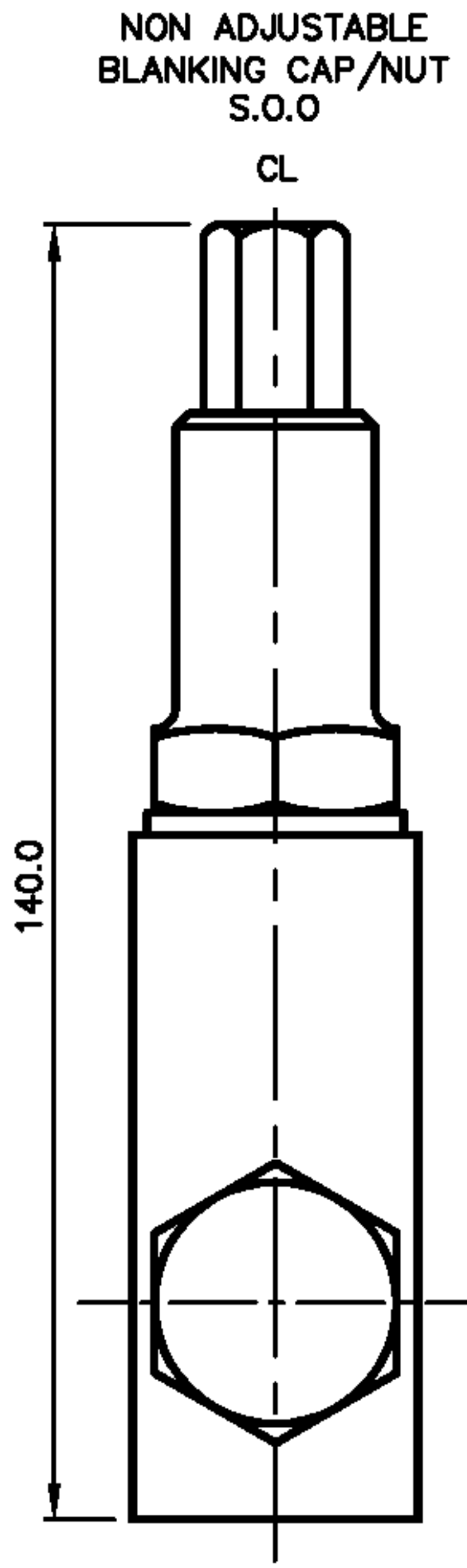
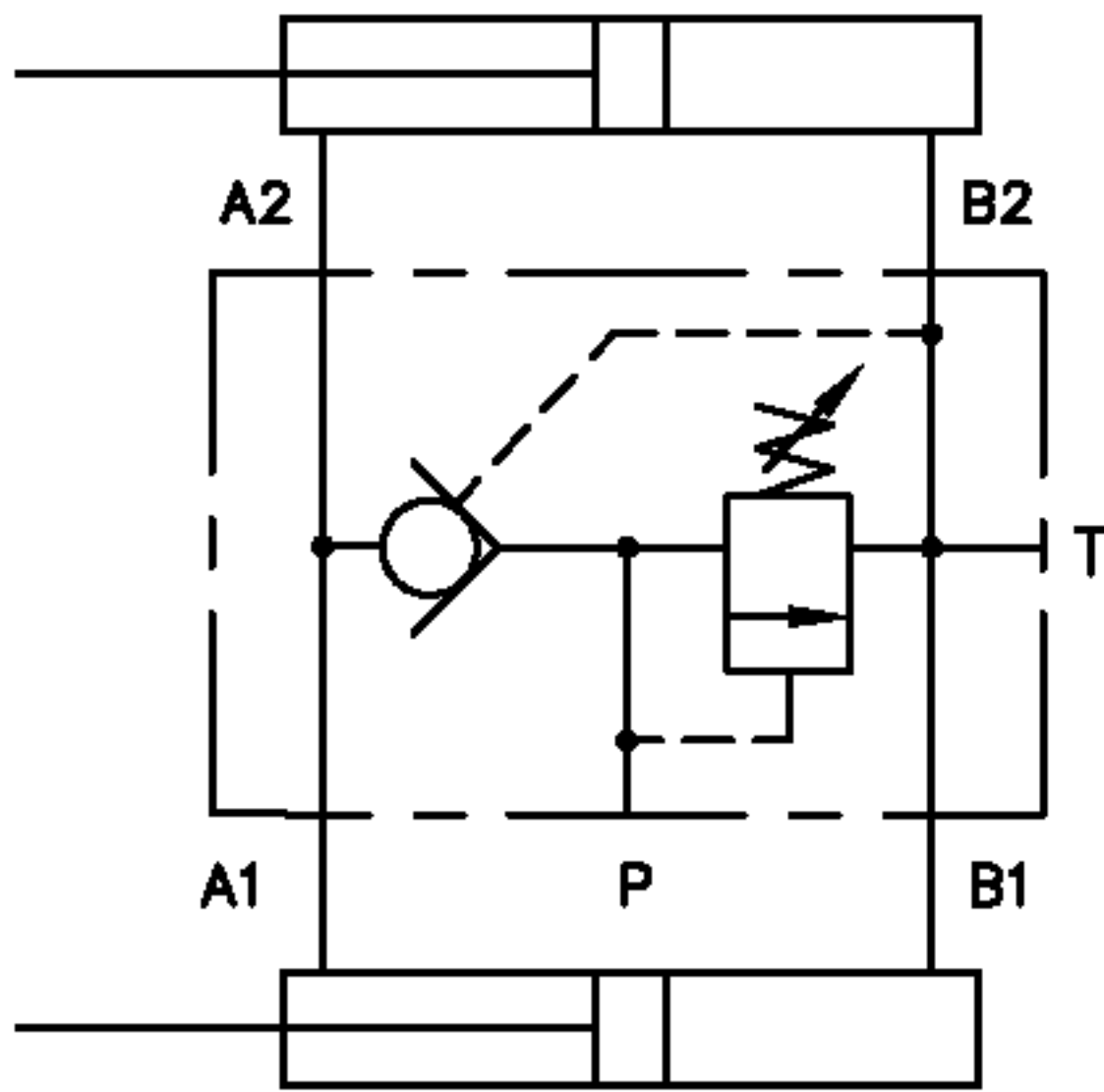


**COMPACT COMBINATION LOCK RELIEF VALVE**  
 EXAMPLE V-505-B200 8890  
 MAX WORKING PRESSURE 350 BAR

VALVE ORDERING INFORMATION	
TYPE	PORTS
V-505-B200 8890	3/8 BSP (PL)
ALL DIMENSIONS IN MM	



VALVE TYPE **COMPACT COMBINATION VALVE**  
 SINGLE P.O CHECK & SINGLE CROSS LINE RELIEF VALVE

DATE: 22/08/00  
 ASSY: 8890  
 SCALE: N.T.S

TITLE **INSTALLATION**  
 V-505-B200 8890

DRG NO **8891** ISS **A**