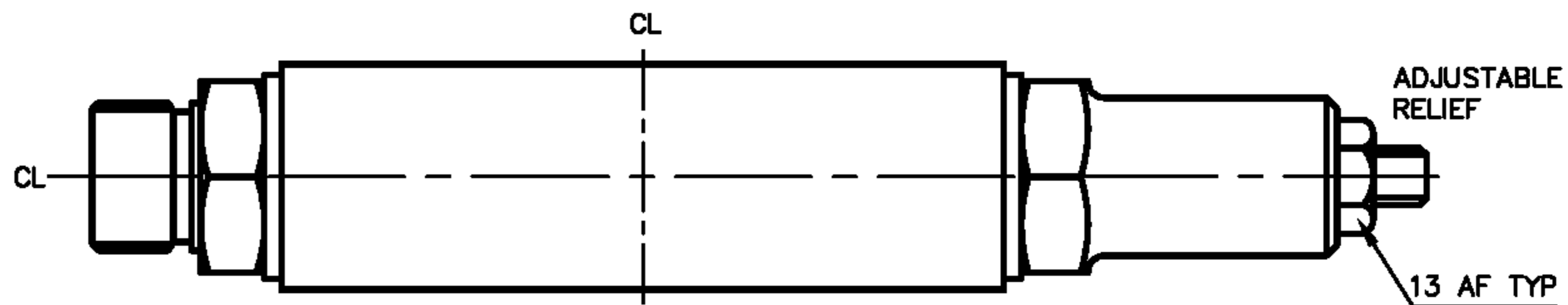
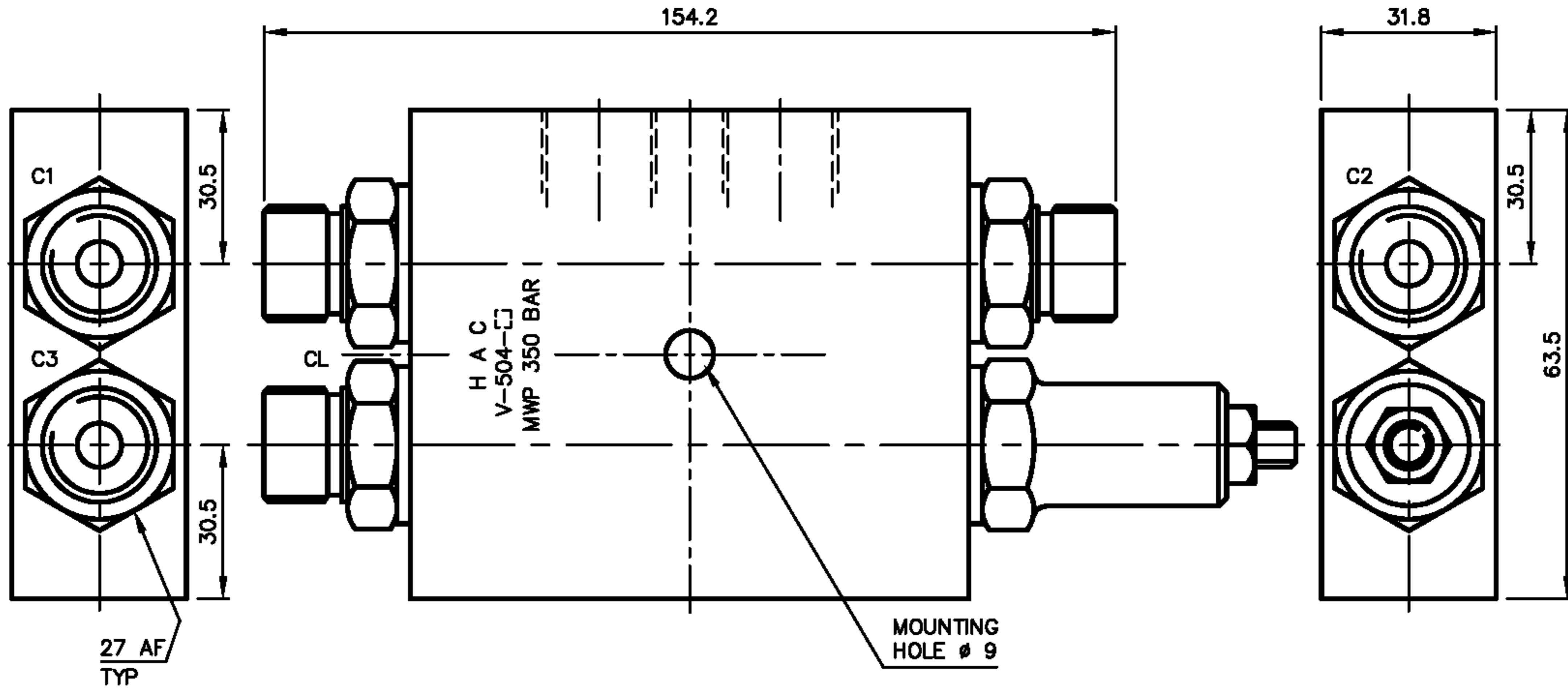
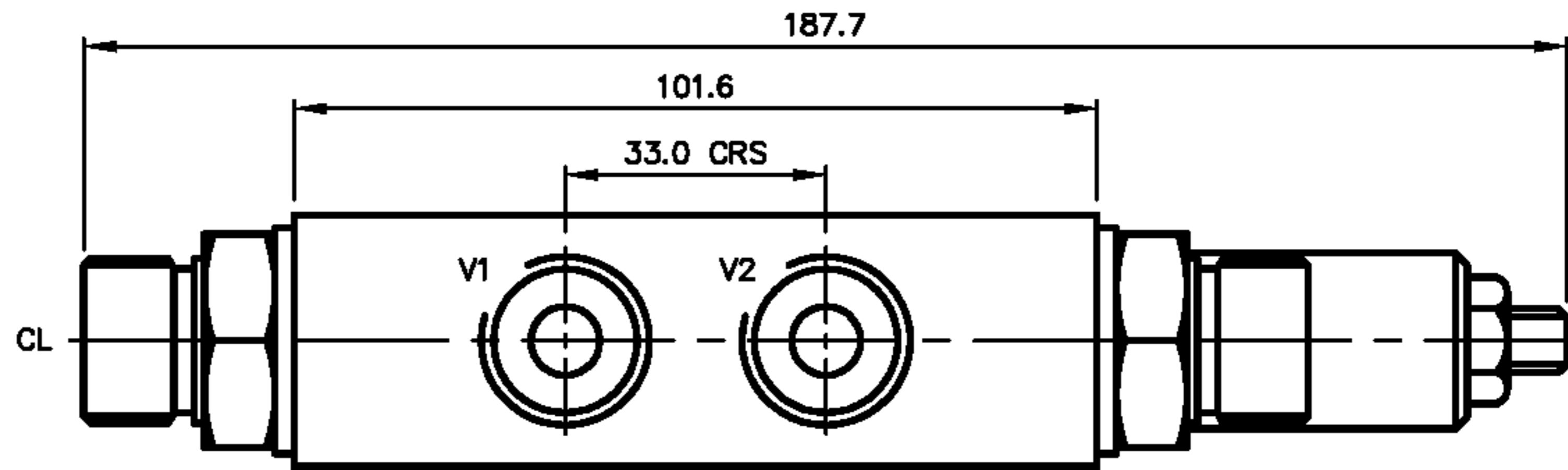
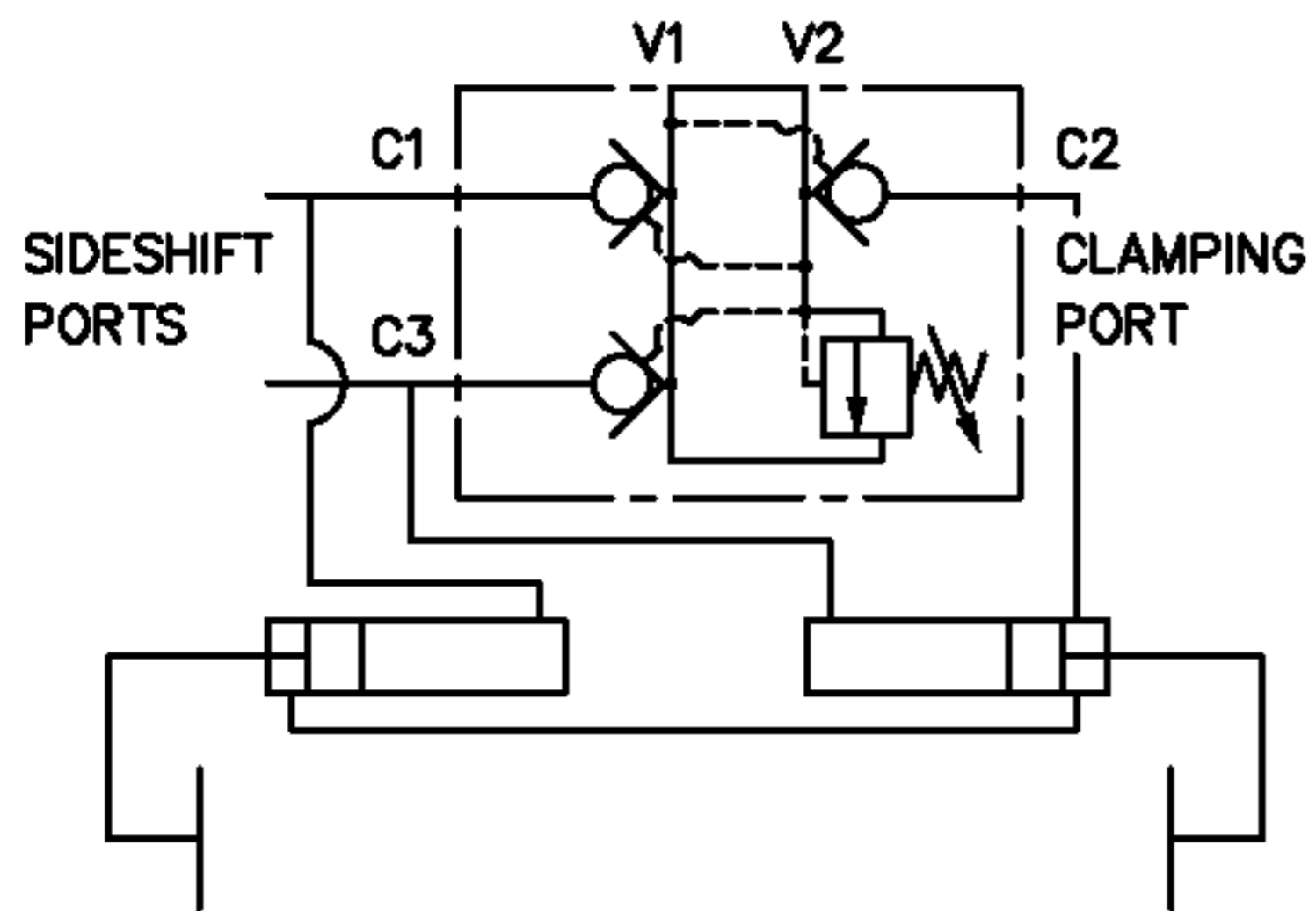


COMBINATION SIDESHIFT VALVE
 EXAMPLE V-504-□
 MAX WORKING PRESSURE 350 BAR

VALVE ORDERING INFORMATION	
TYPE	PORTS
V-504-A	1/4 BSP (PL)
V-504-B	3/8 BSP (PL)
V-504-C	1/2 BSP (PL)

ALL DIMENSIONS IN MM



VALVE TYPE

COMBINATION VALVE
 SIDESHIFT/CLAMP VALVE WITH INTEGRAL RELIEF

DATE: 04/10/01
 ASSY: 5430
 SCALE: 1:1

TITLE INSTALLATION
 V-504-□

DRG NO 5431
 ISS A