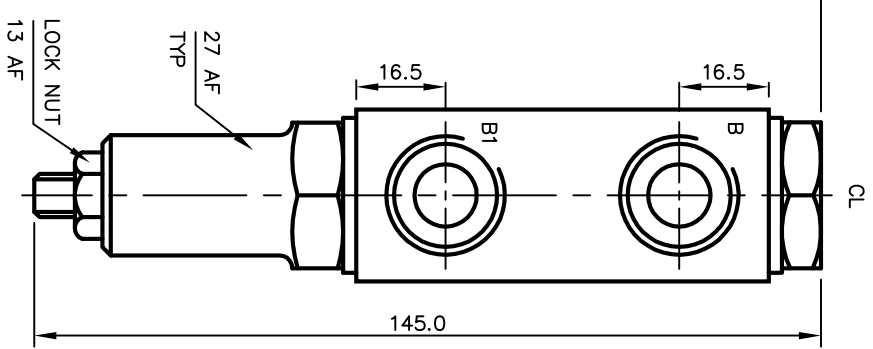
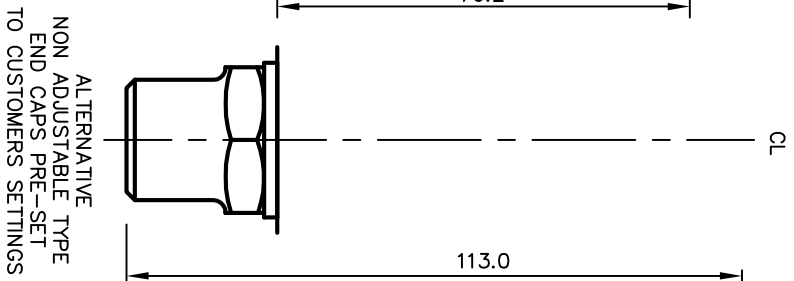
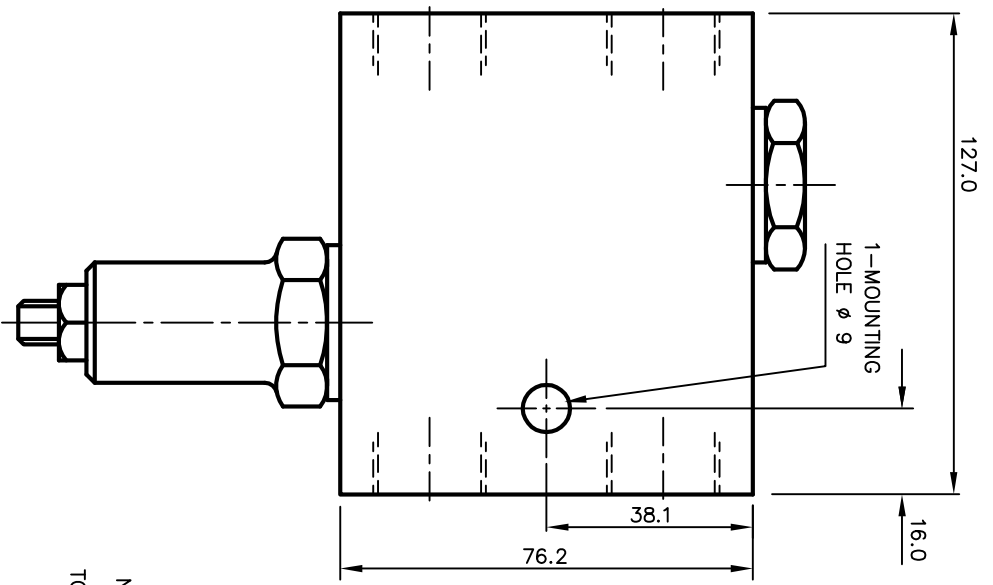
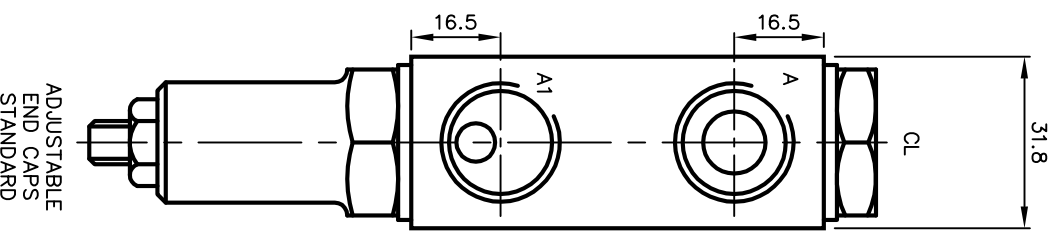
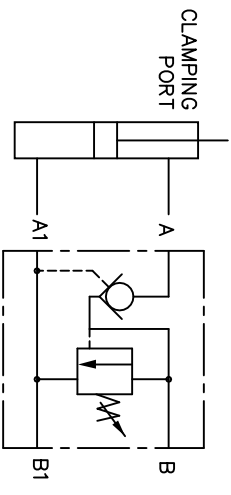




<b>COMBINATION LOCK RELIEF VALVE</b>
EXAMPLE V-503-□
RELIEF PRESSURE RANGE AVAILABLE 0-240 BAR
RELIEF PRESSURE RANGE AVAILABLE 0-138 BAR
RELIEF PRESSURE RANGE AVAILABLE 0-55 BAR
<b>MAX WORKING PRESSURE 350 BAR</b>

<b>VALVE ORDERING INFORMATION</b>	
<b>TYPE</b>	<b>PORTS</b>
V-503-A	1/4 BSP (PL)
V-503-B	3/8 BSP (PL)
V-503-C	1/2 BSP (PL)

ALL DIMENSIONS IN MM



VALVE TYPE

COMBINATION VALVE

SINGLE P.O.CHECK & SINGLE CROSS LINE RELIEF VALVE

DATE: 07/08/02  
 ASSY: 5375  
 SCALE: 1:1

TITLE  
 INSTALLATION  
 V-503-□

DRG NO  
 5376

ISS