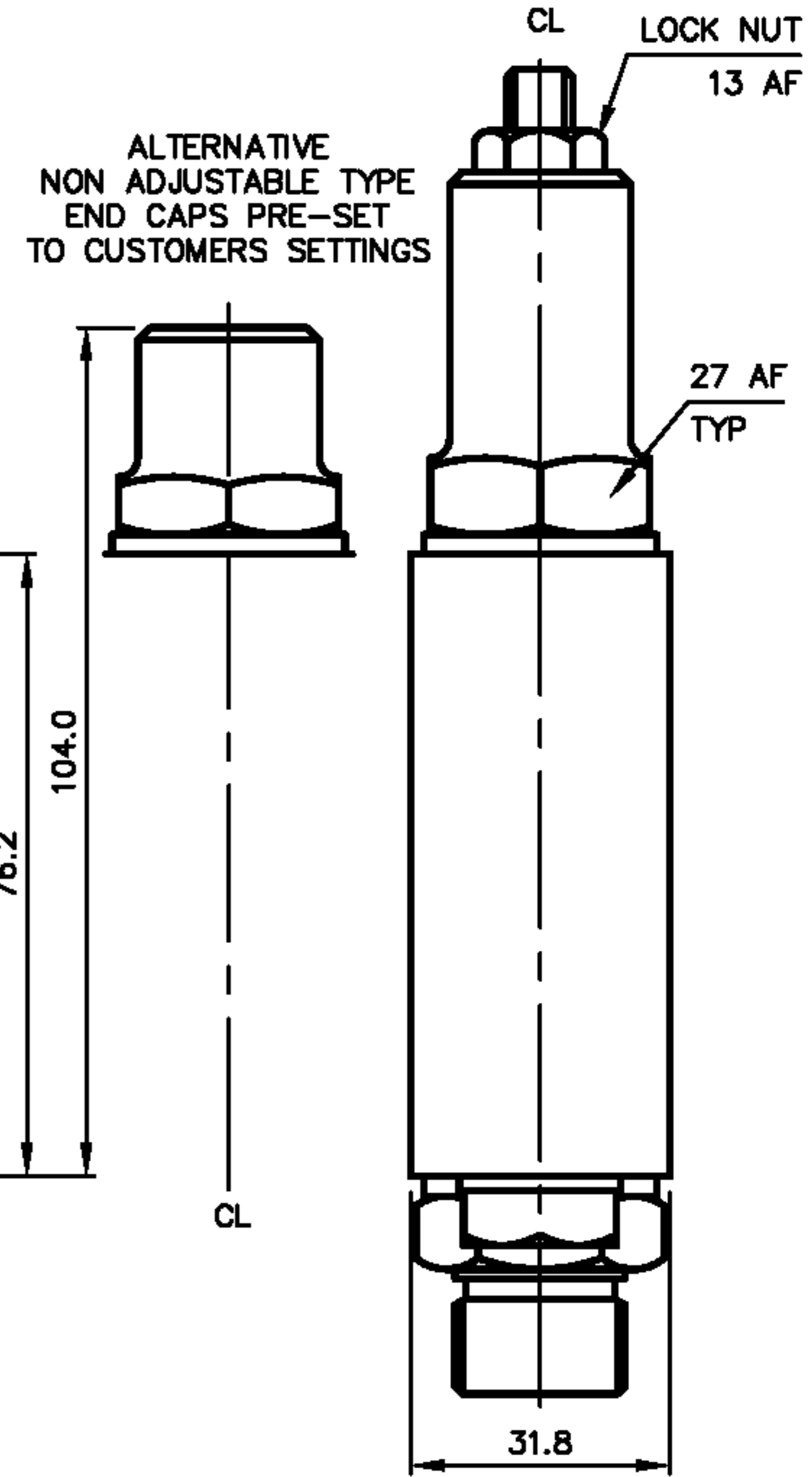
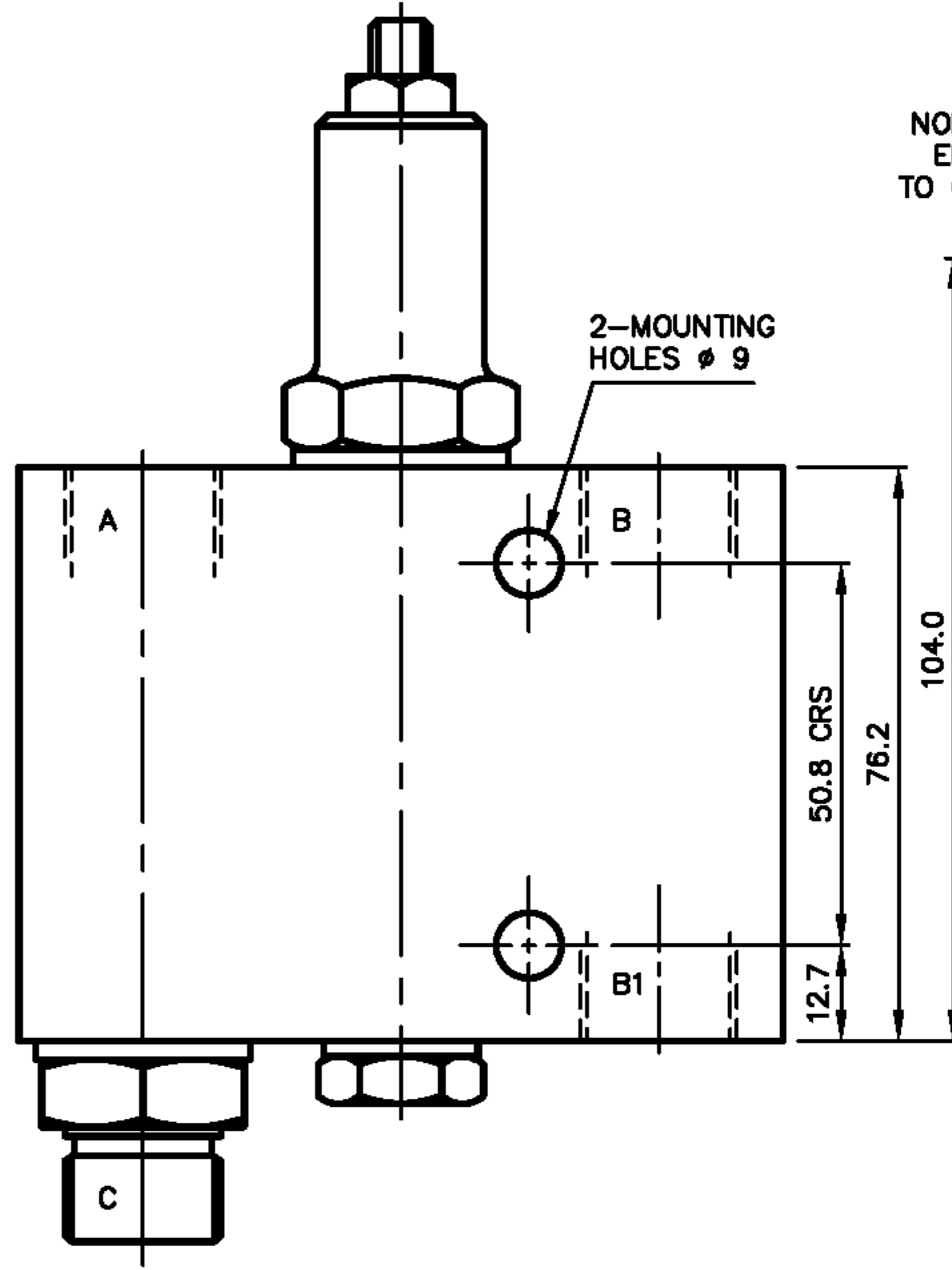
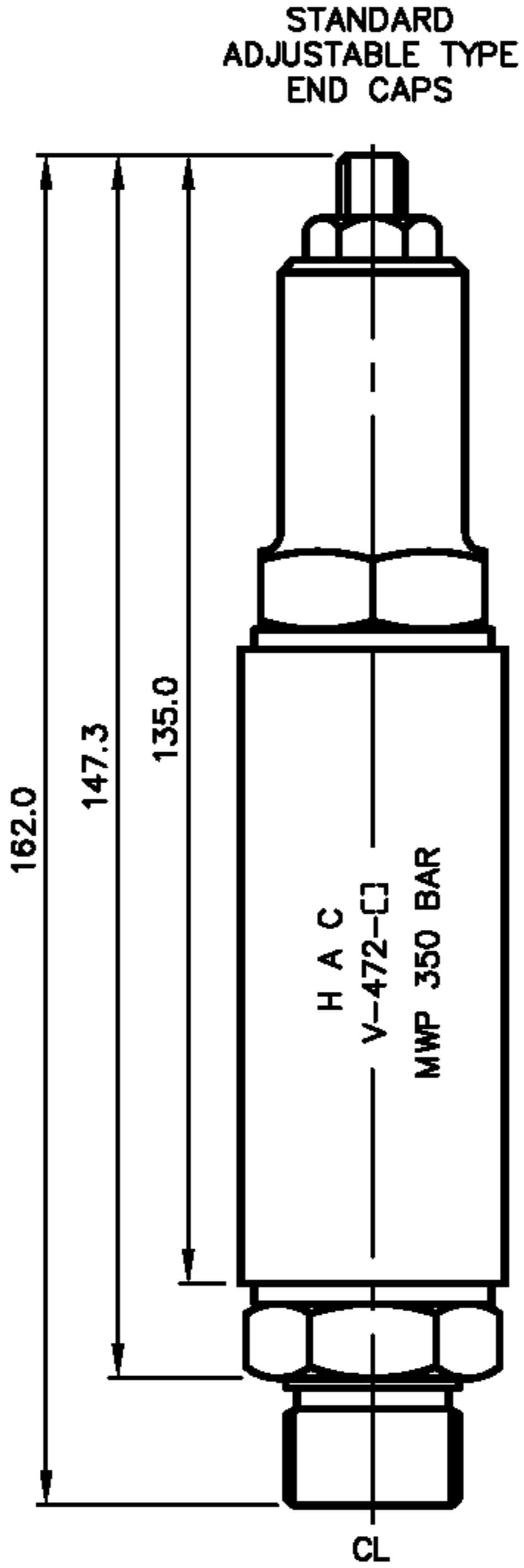
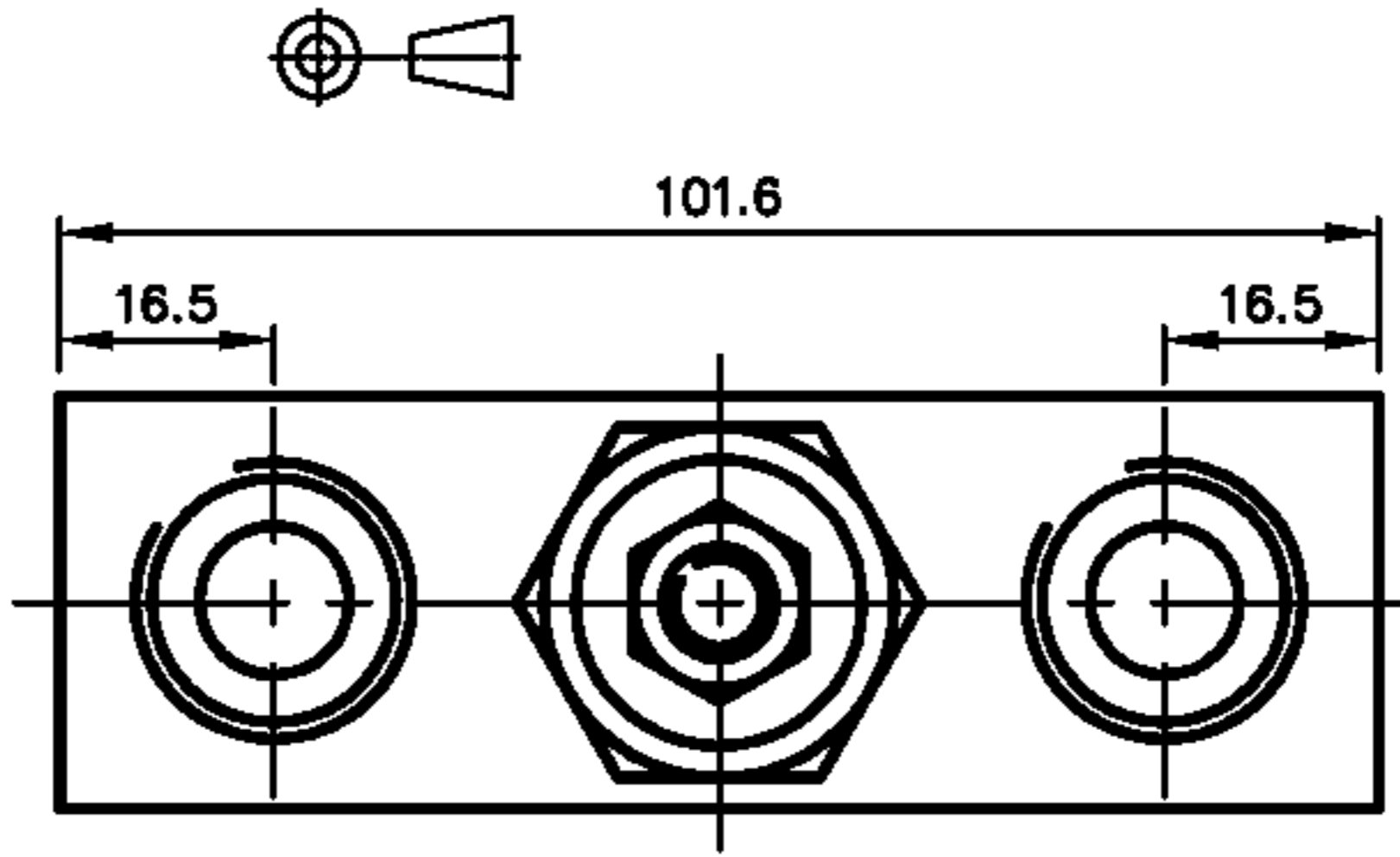
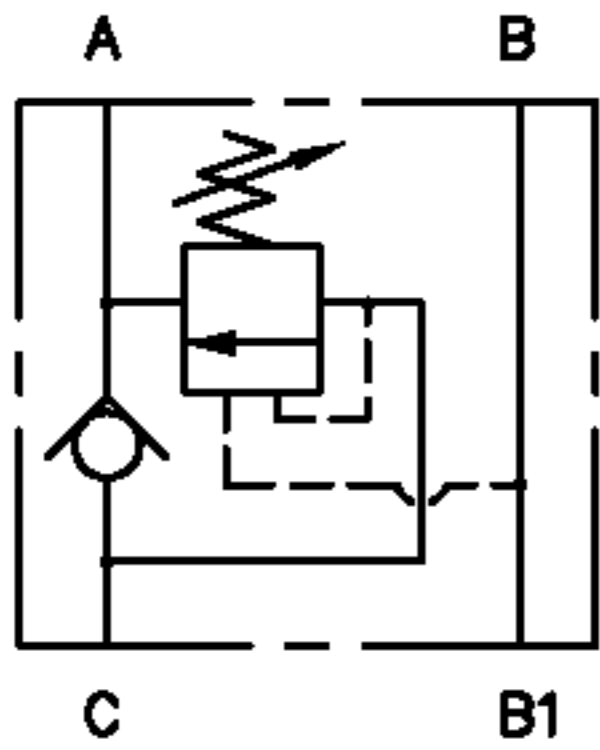


OVERCENTRE VALVE
EXAMPLE V-472-□
7:1 RATIO
MAX WORKING PRESSURE 350 BAR

VALVE ORDERING INFORMATION	
TYPE	PORTS
V-472-B	3/8 BSP (PL)
V-472-C	1/2 BSP (PL)
7:1 STANDARD RATIO 3.5:1 AVAILABLE ON REQUEST	
ALL DIMENSIONS IN MM	



VALVE TYPE SINGLE OVERCENTRE VALVE

DATE: 25/09/02
 ASSY: 6910
 SCALE: 1:1

TITLE INSTALLATION
 V-472

DRG NO
 6911

ISS
 A