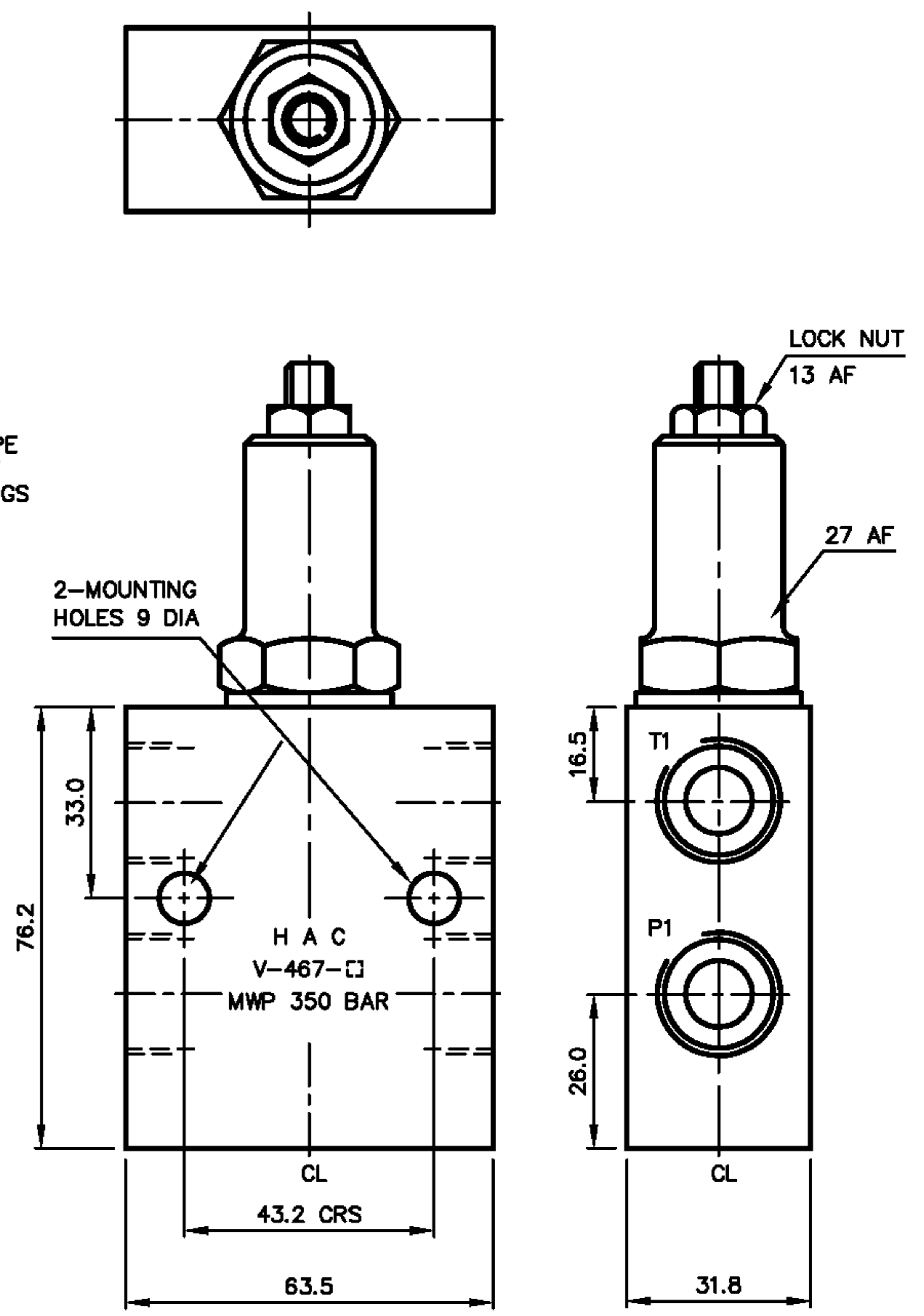
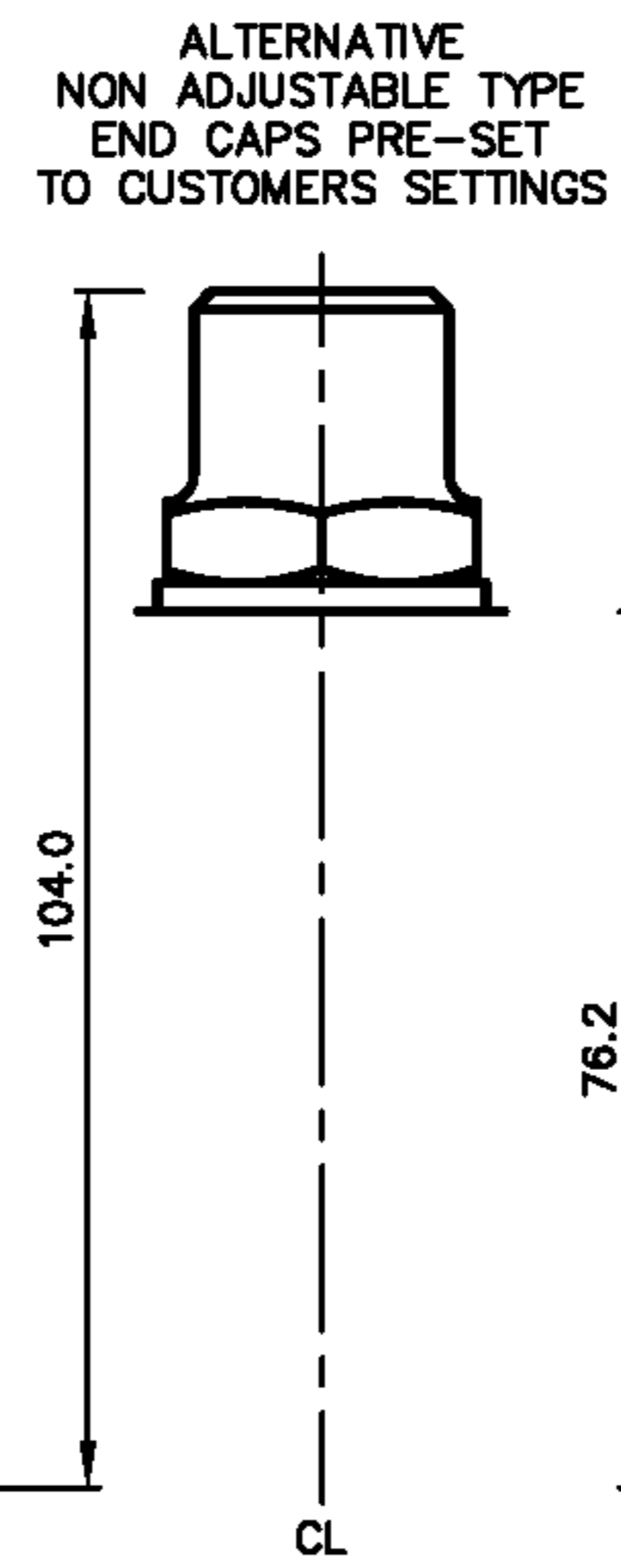
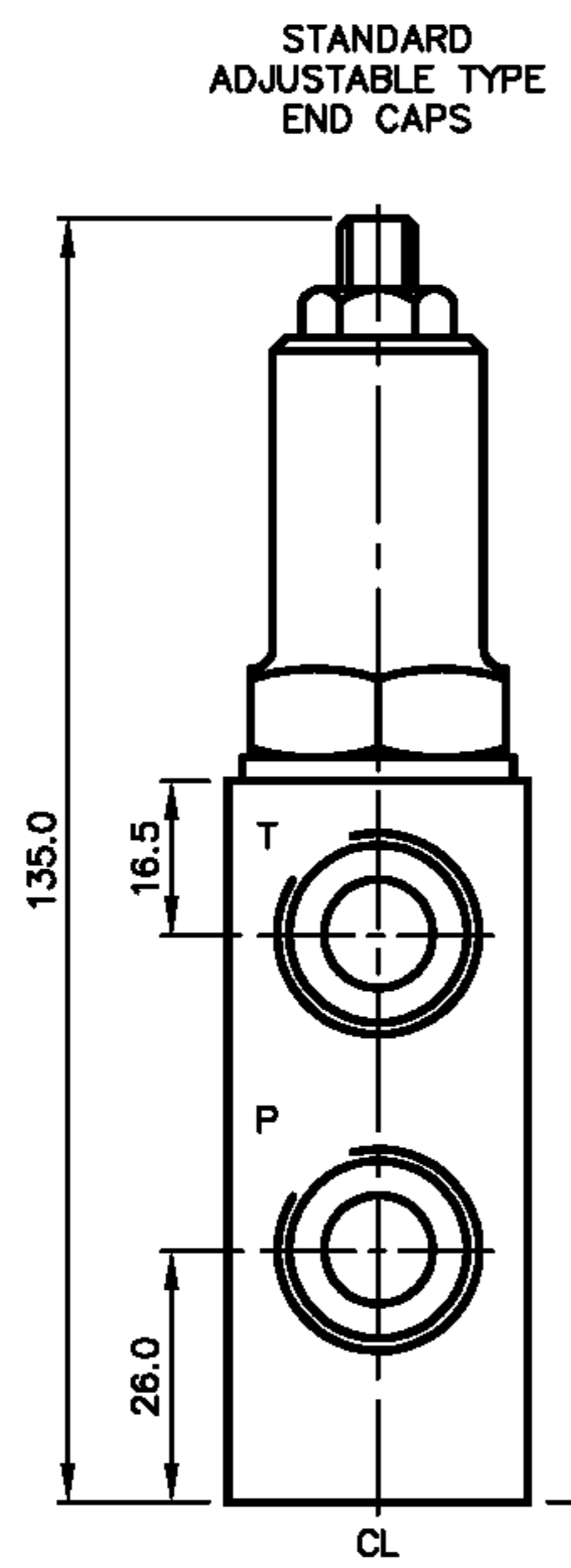
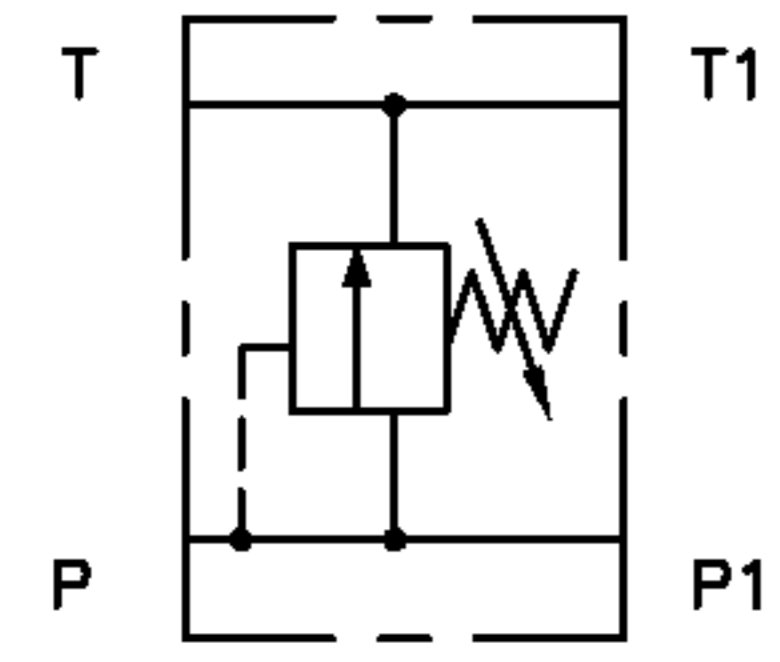




ADJUSTABLE RELIEF PRESSURE RANGE
STANDARD PRESSURE RANGE 0-138 BAR
PRESSURE RANGE TO CUSTOMERS SETTING
MAX WORKING PRESSURE 350 BAR

VALVE ORDERING INFORMATION	
TYPE	PORTS
V-467-A	1/4 BSP (PL)
V-467-B	3/8 BSP (PL)
V-467-C	1/2 BSP (PL)
ALL DIMENSIONS IN MM	



VALVE TYPE

RELIEF VALVE  
DIFFERENTIAL IN-LINE

DATE: 10/09/03  
ASSY: 5121  
SCALE: 1:1

TITLE  
INSTALLATION  
V-467

DRG NO  
5121

ISS  
A