

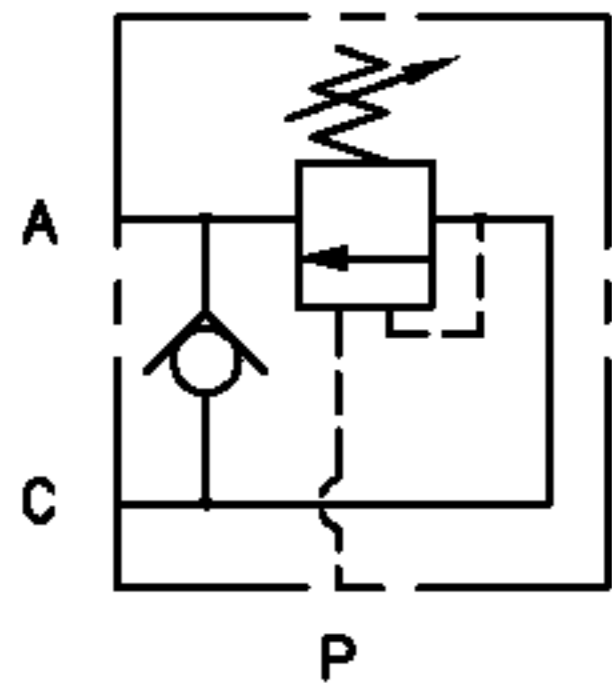
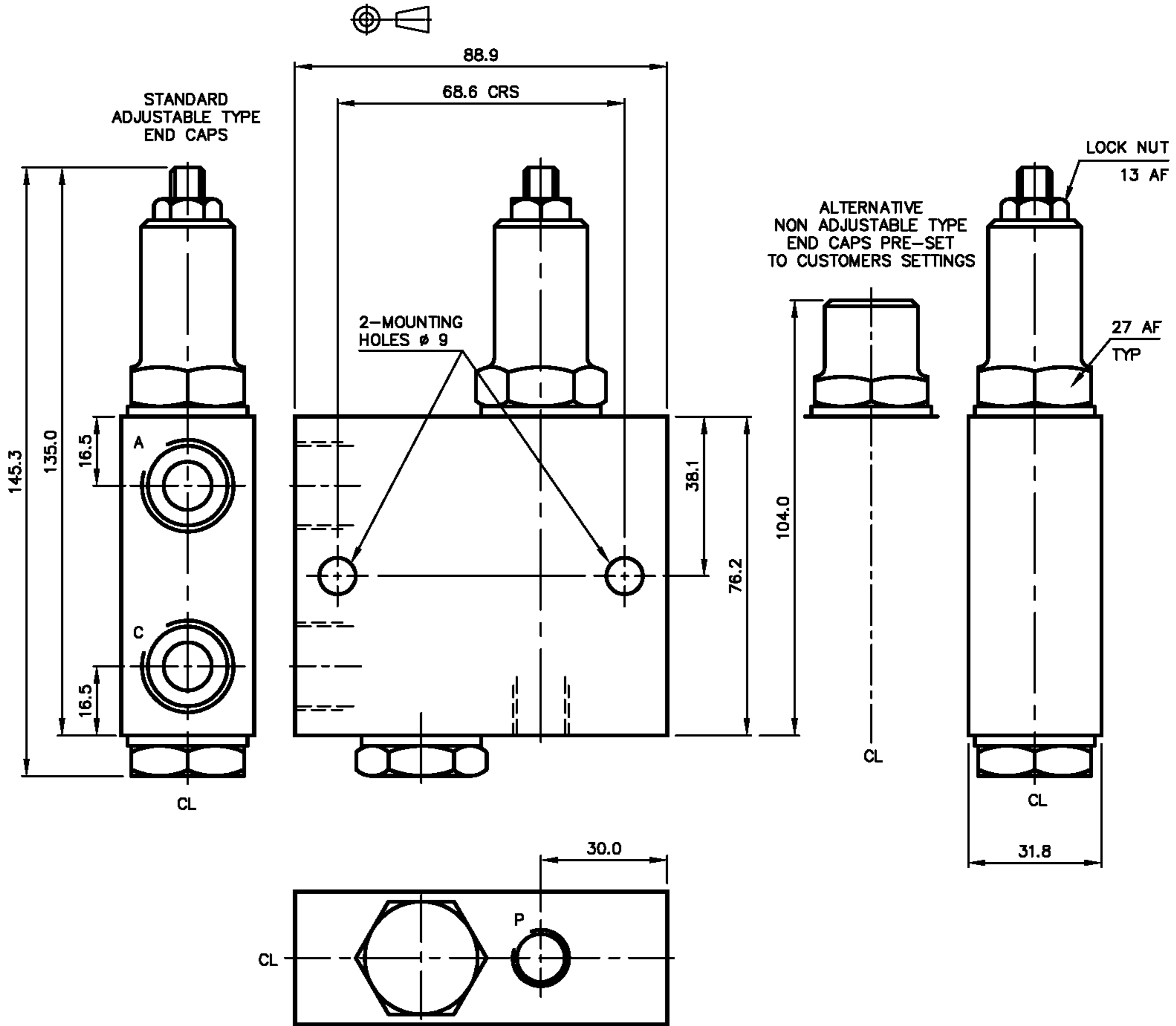
OVERCENTRE VALVE
 EXAMPLE V-455-□ 7:1 RATIO
 MAX WORKING PRESSURE 350 BAR

VALVE ORDERING INFORMATION

TYPE	PORTS	PILOT PORT P
V-455-B	3/8 BSP (PL)	1/4 BSP (PL)
V-455-C	1/2 BSP (PL)	1/4 BSP (PL)

7:1 STANDARD RATIO, 3.5:1 AVAILABLE ON REQUEST

ALL DIMENSIONS IN MM



VALVE TYPE SINGLE OVERCENTRE VALVE

DATE: 25/09/02
 ASSY: 5155
 SCALE: 1:1

TITLE INSTALLATION
 V-455-B or C

DRG NO 5156
 ISS A