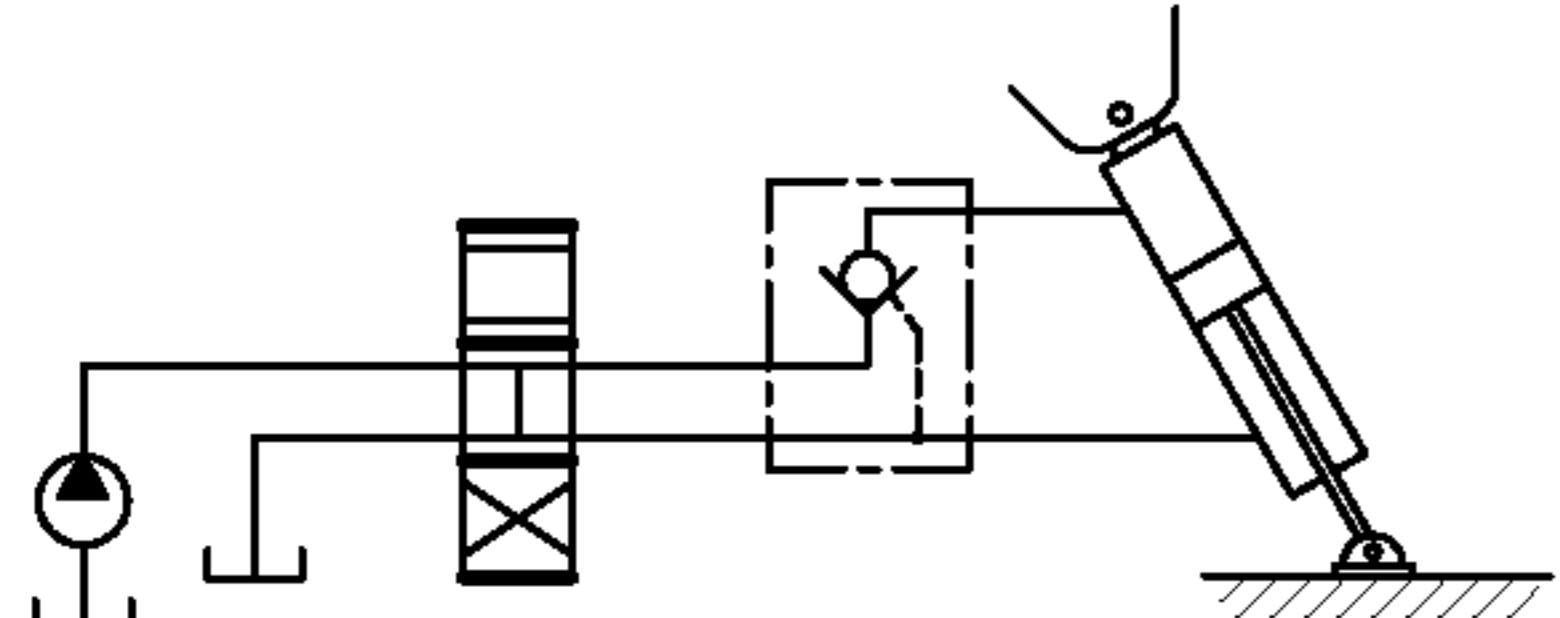
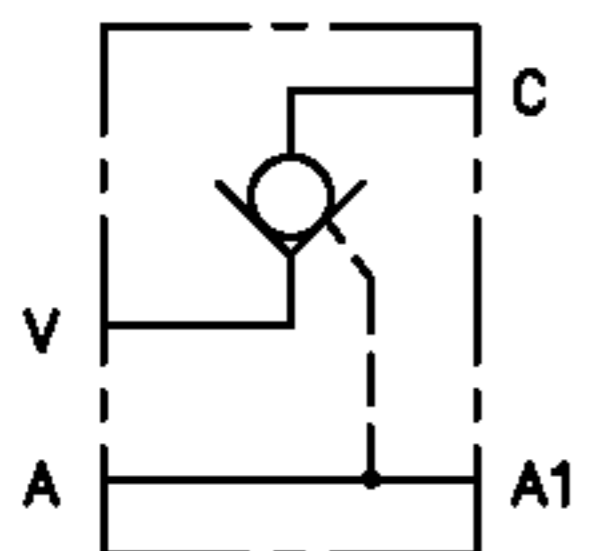


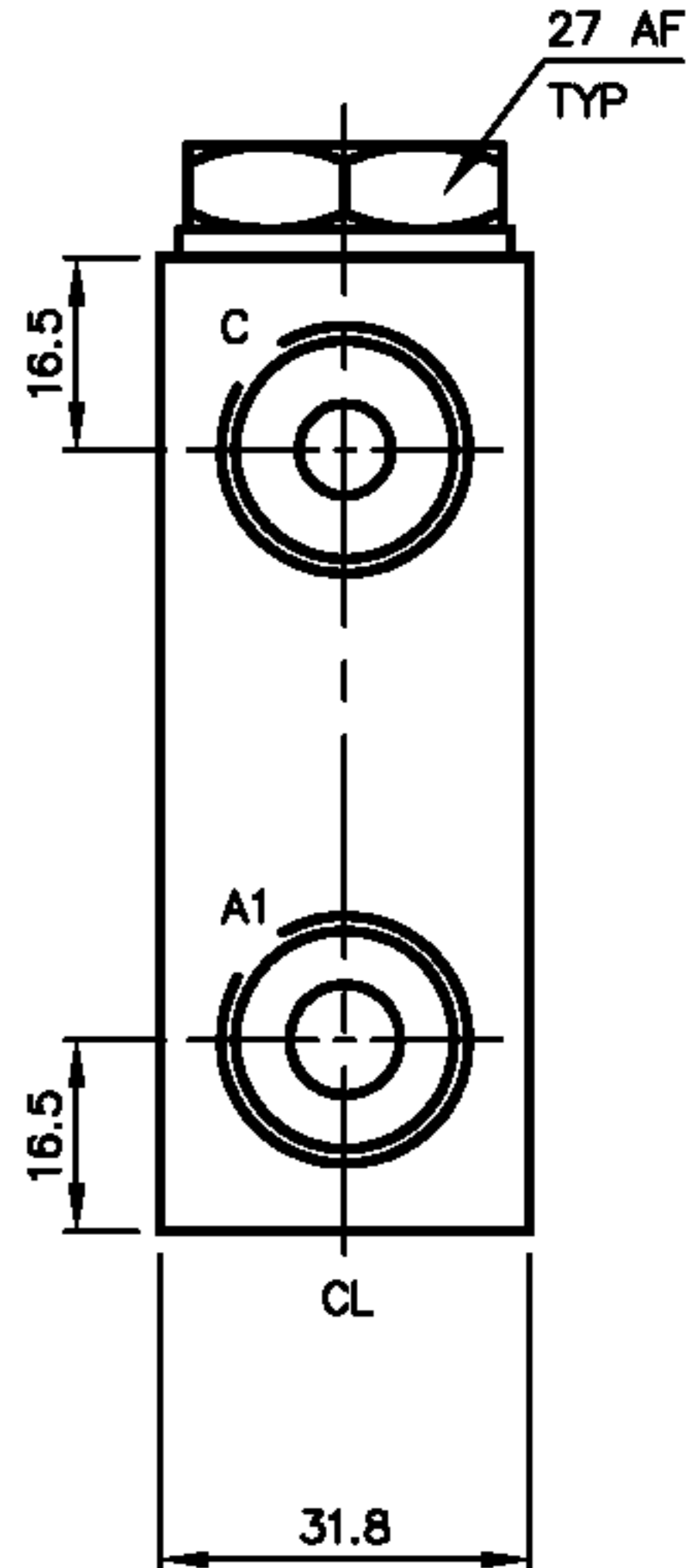
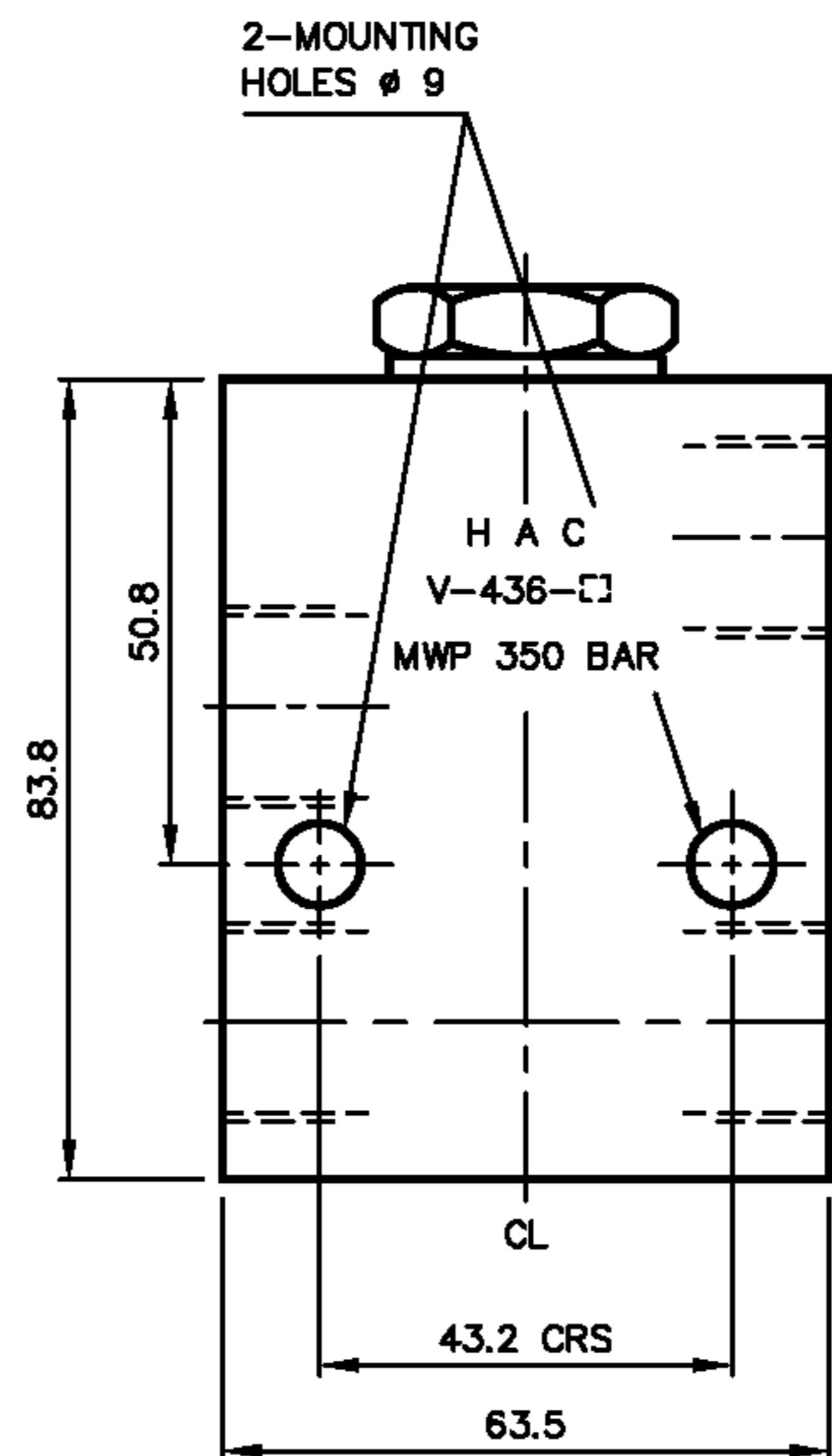
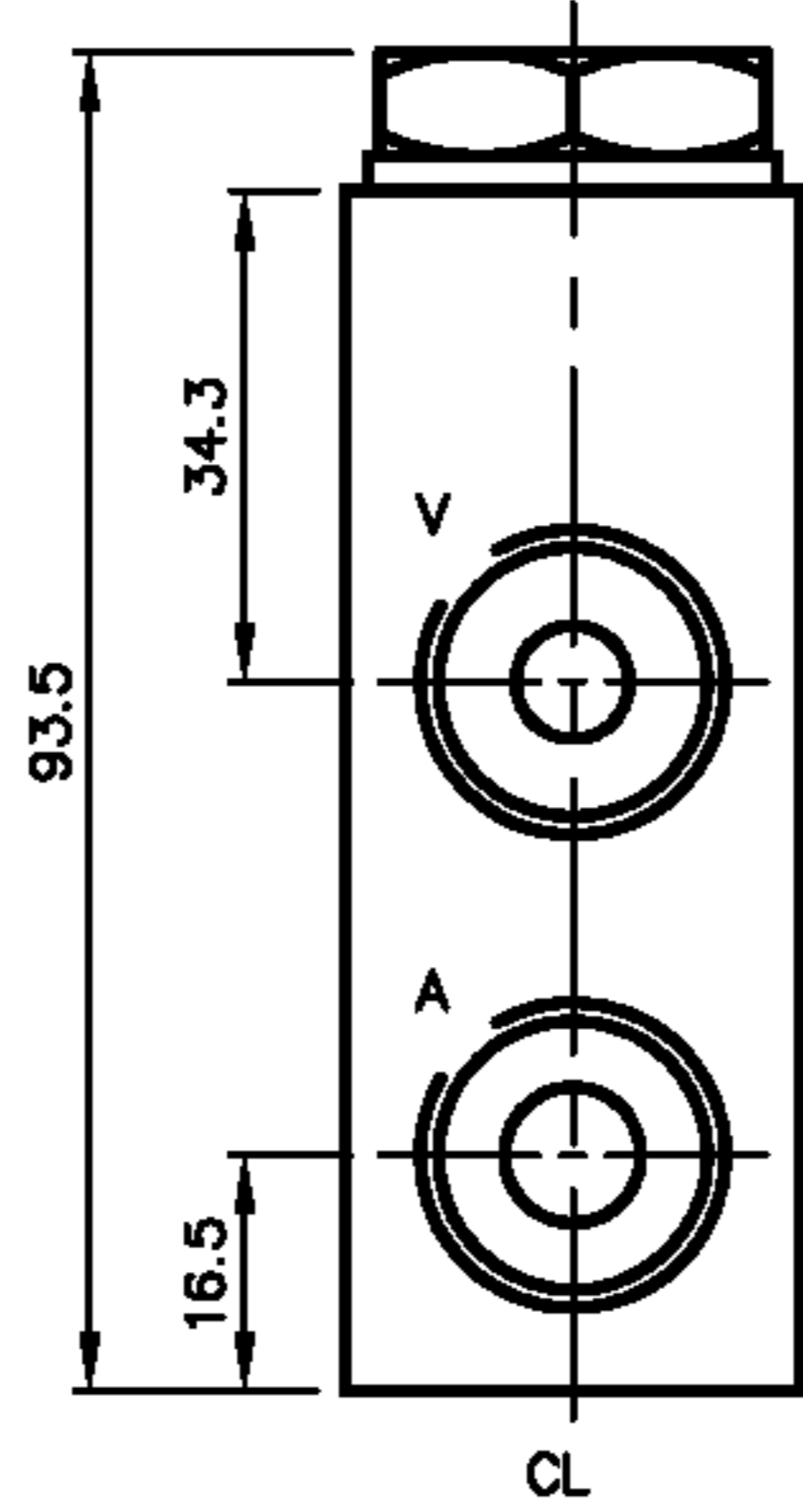
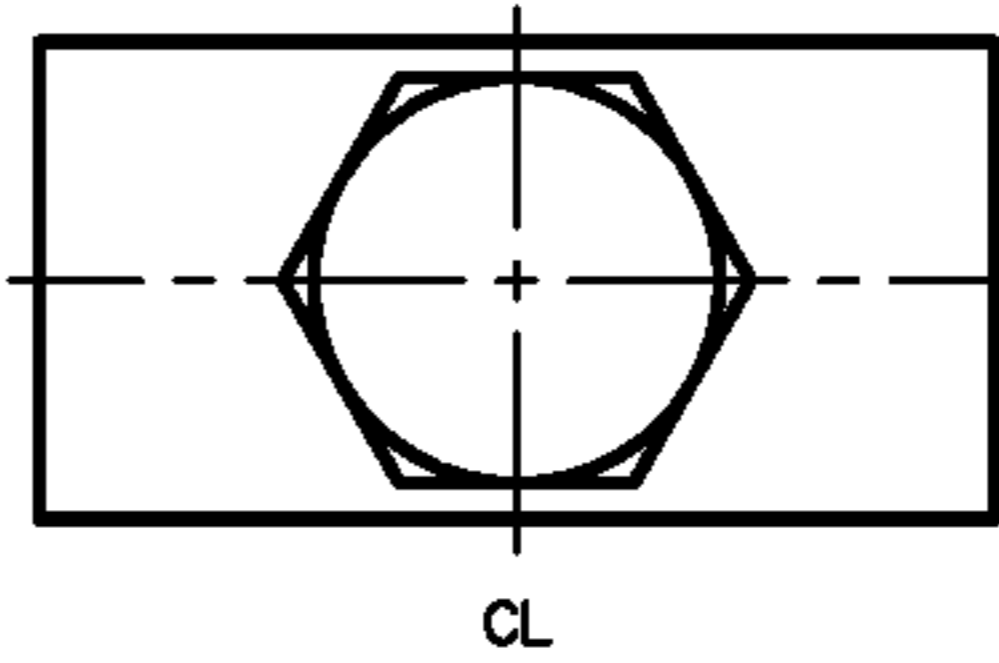


<b>SINGLE PILOT OPERATED CHECK VALVE</b>	
STANDARD RATIO 3:1 EXAMPLE V-436	
ALSO AVAILABLE WITH 12:1 RATIO VX-436	
MAX WORKING PRESSURE 350 BAR	

VALVE ORDERING INFORMATION	
TYPE	PORTS
V-436-A	1/4 BSP (PL)
V-436-B	3/8 BSP (PL)
V-436-C	1/2 BSP (PL)
ALL DIMENSIONS IN MM	



TYPICAL OUTRIGGER JACK CIRCUIT HYDRAULIC CRANE, LOW LOADER OR ACCESS PLATFORM.



VALVE TYPE SINGLE P.O.CHECK VALVE

DATE: 12/07/01  
 ASSY: 5130  
 SCALE: 1:1

TITLE INSTALLATION  
 V-436

DRG NO 5131  
 ISS A