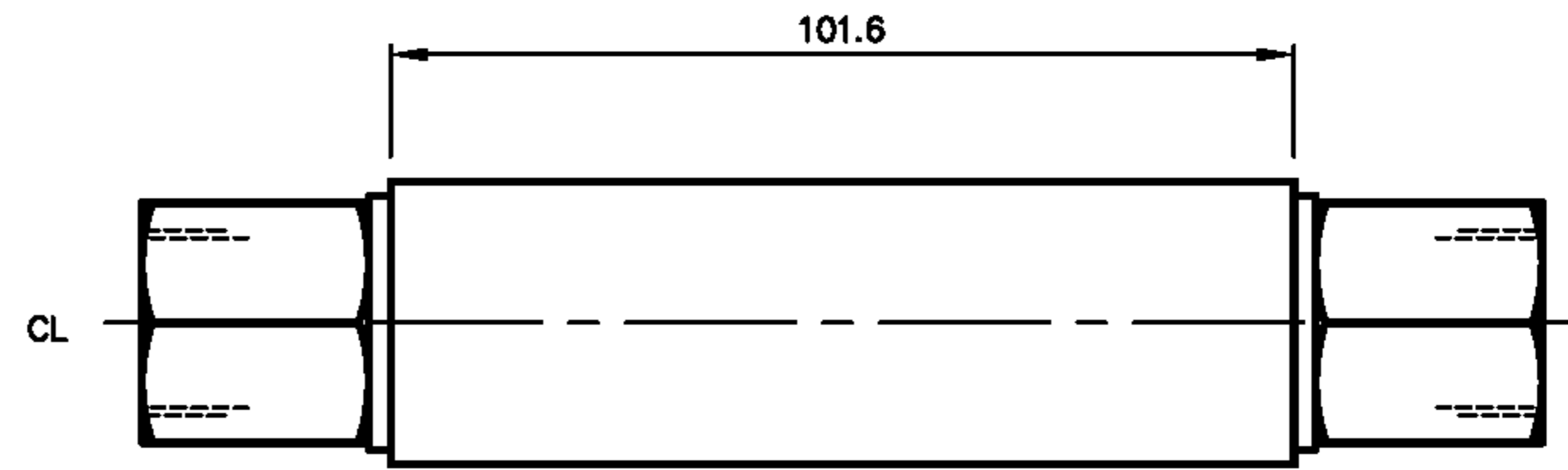
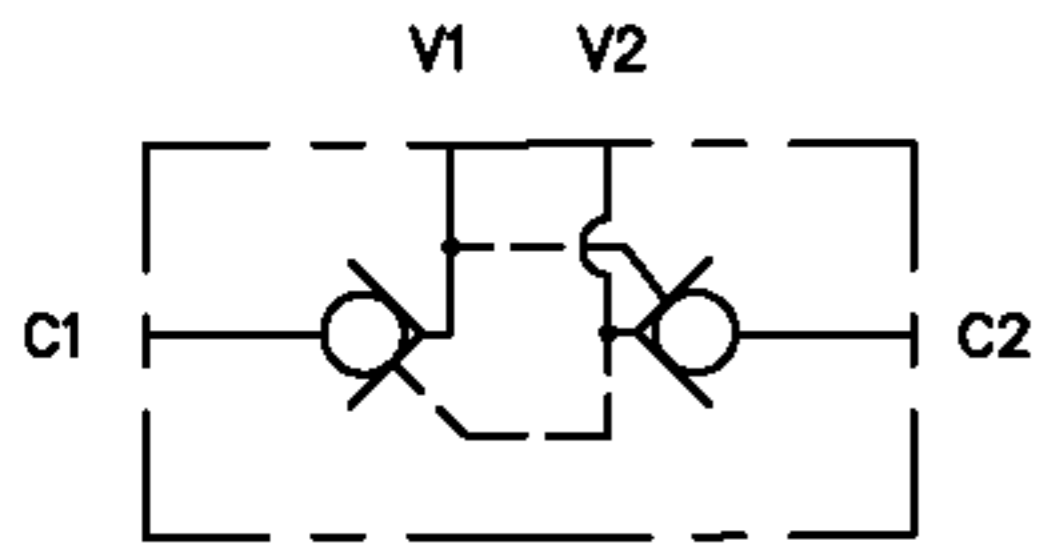
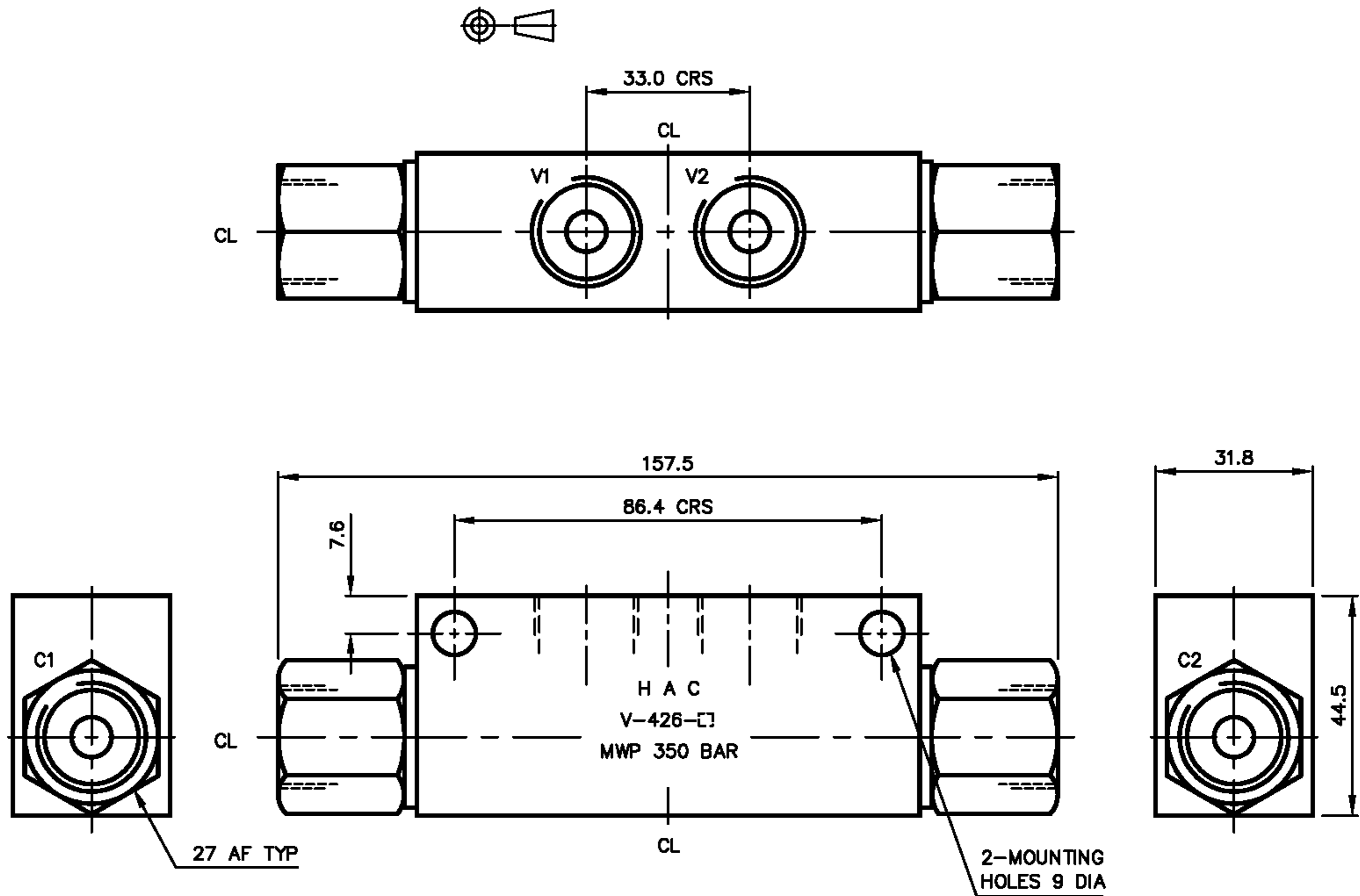


STANDARD 3:1 RATIO
EXAMPLE V-426
ALSO AVAILABLE WITH 12:1 RATIO
EXAMPLE VX-426
MAX WORKING PRESSURE 350 BAR

VALVE ORDERING INFORMATION	
TYPE	PORTS
V-426-A	1/4 BSP (PL)
V-426-B	3/8 BSP (PL)
V-426-C	1/2 BSP (PL)

ALL DIMENSIONS IN MM



VALVE TYPE DUAL P.O.CHECK VALVE

DATE: 23/07/01
 ASSY: 6380
 SCALE: 1:1

TITLE INSTALLATION
 V-426

DRG NO 6381
 ISS A