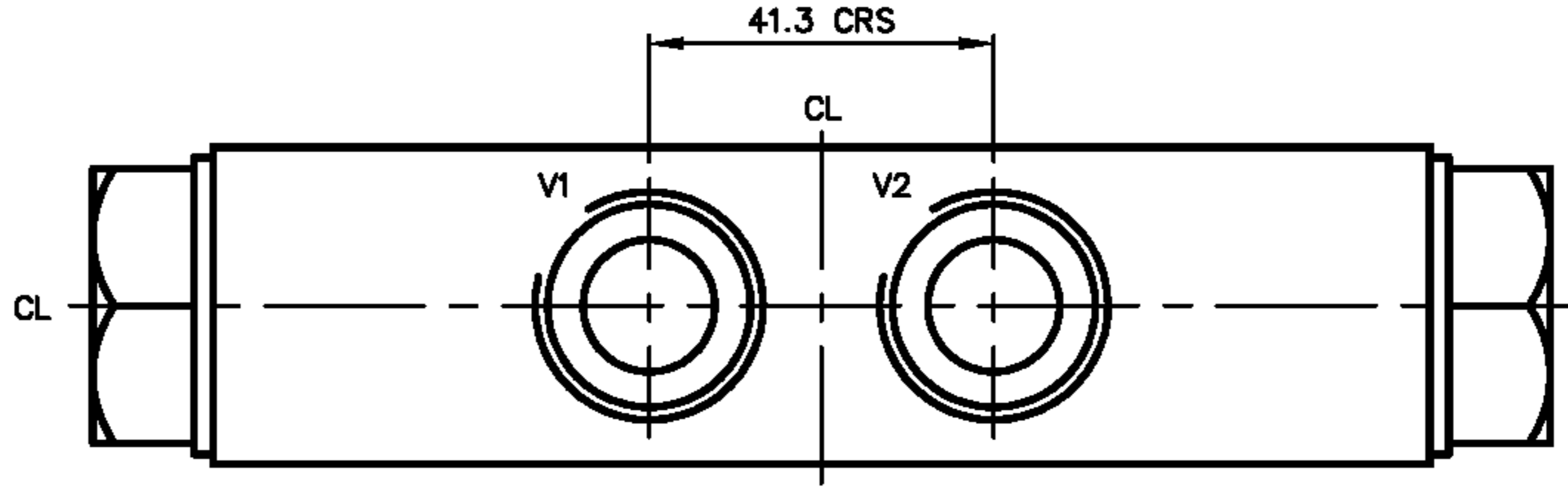
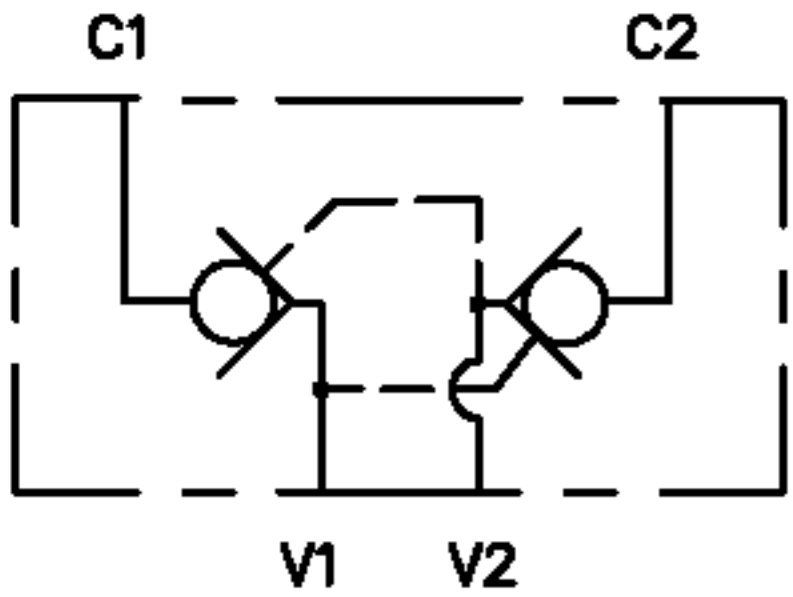
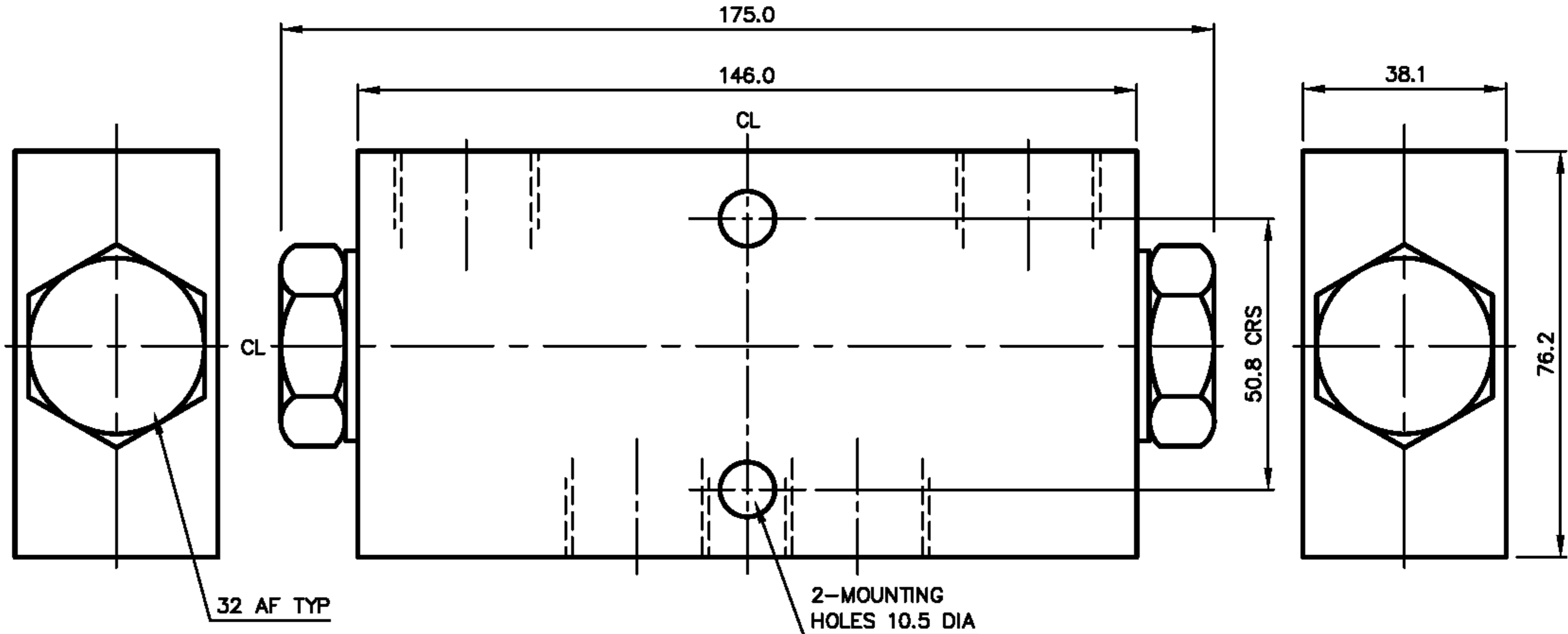
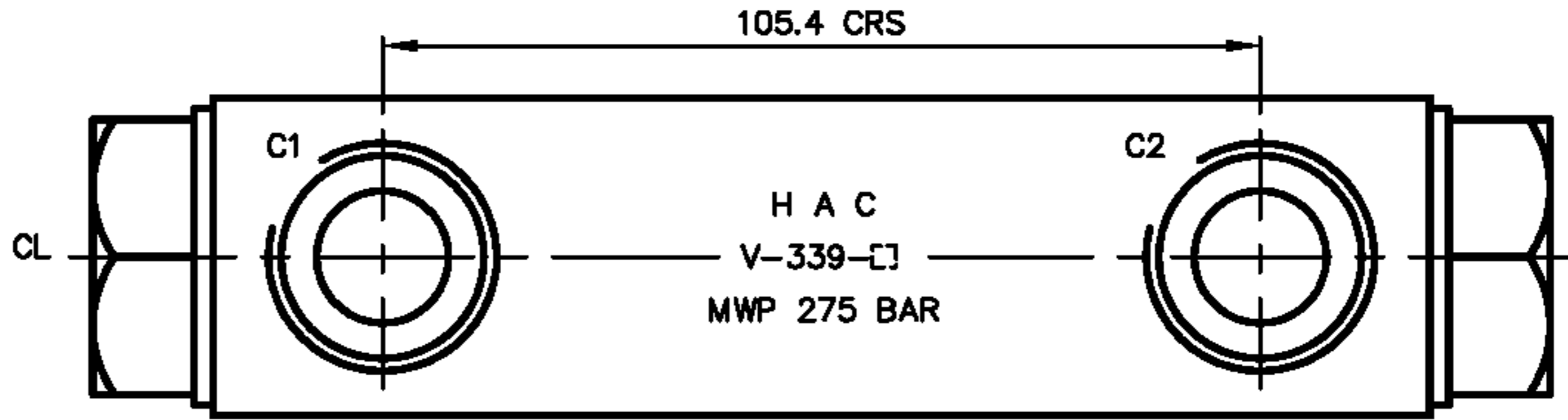


DUAL P.O.CHECK VALVE
STANDARD 4:1 RATIO
EXAMPLE V-339
ALSO AVAILABLE WITH 12:1 RATIO
EXAMPLE VX-339
MAX WORKING PRESSURE 275 BAR

VALVE ORDERING INFORMATION	
TYPE	PORTS
V-339-C	1/2 BSP (PL)
V-339-D	3/4 BSP (PL)
ALL DIMENSIONS IN MM	



VALVE TYPE **DUAL P.O.CHECK VALVE**

DATE: 12/07/01
 ASSY: 5265
 SCALE: 1:1

TITLE **INSTALLATION**
 V-339

DRG NO **5266** ISS **A**