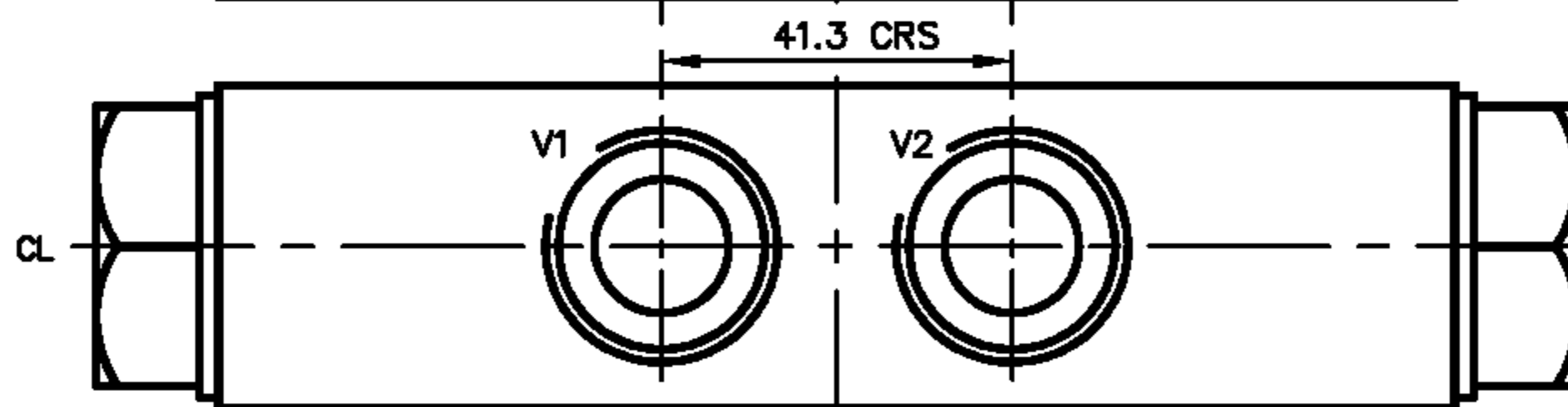
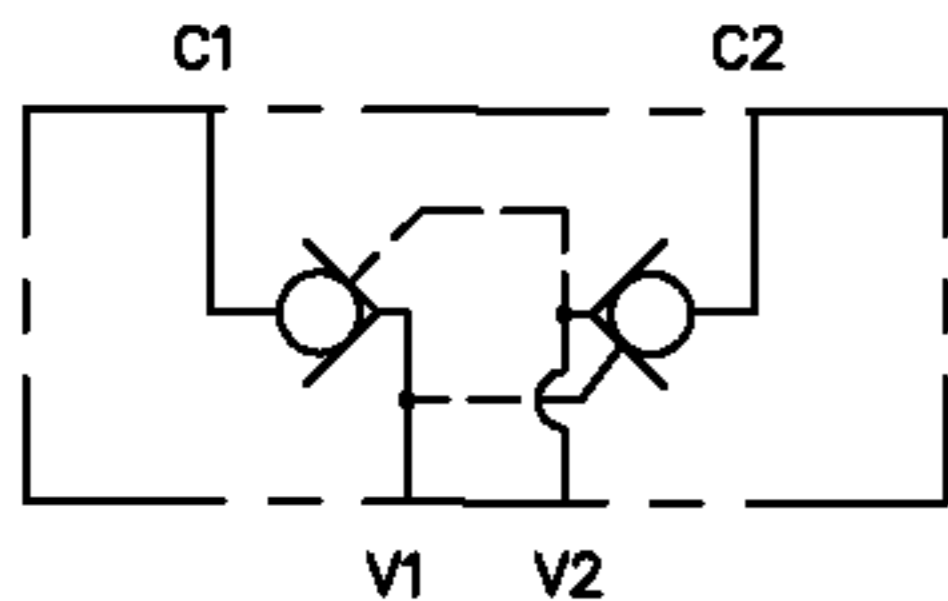
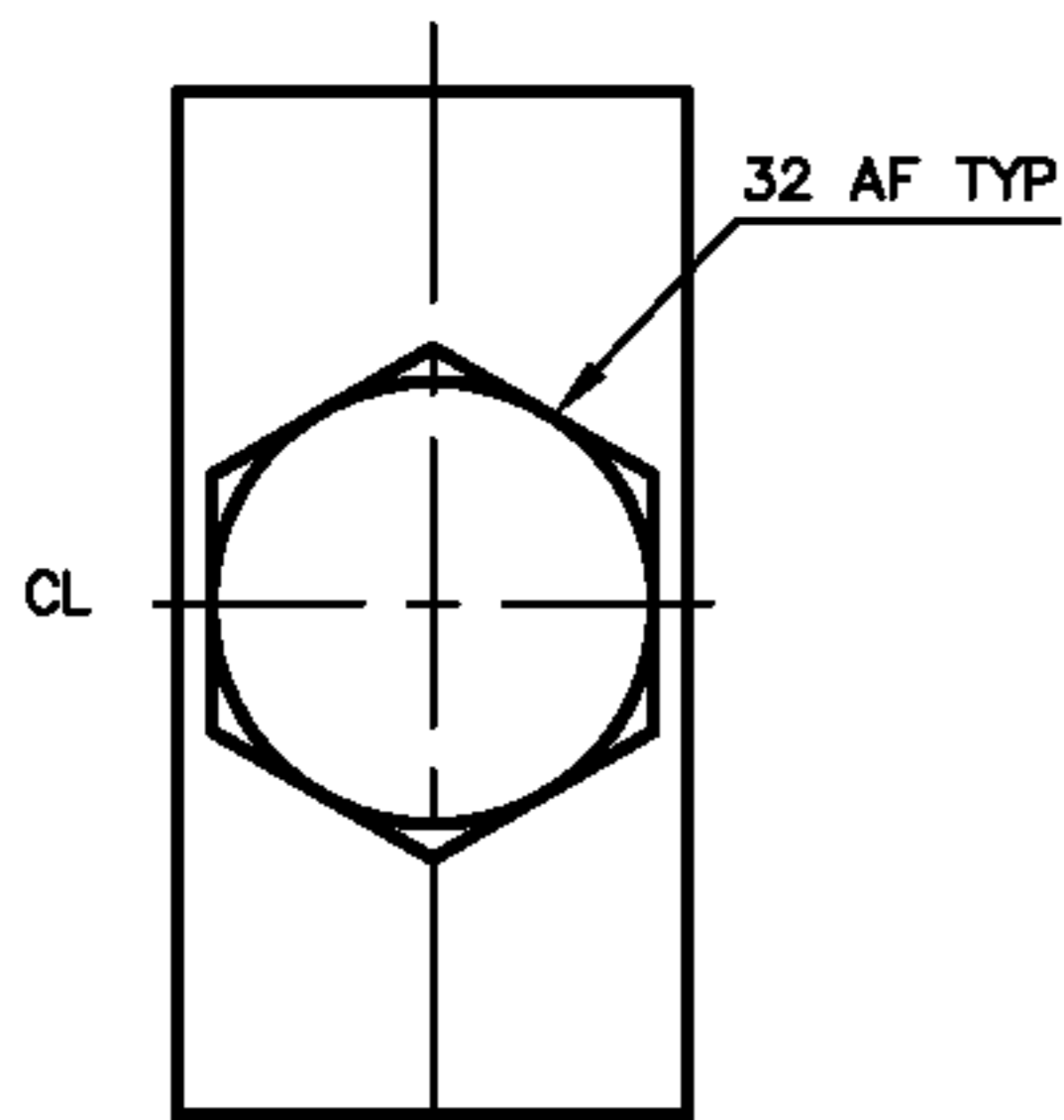
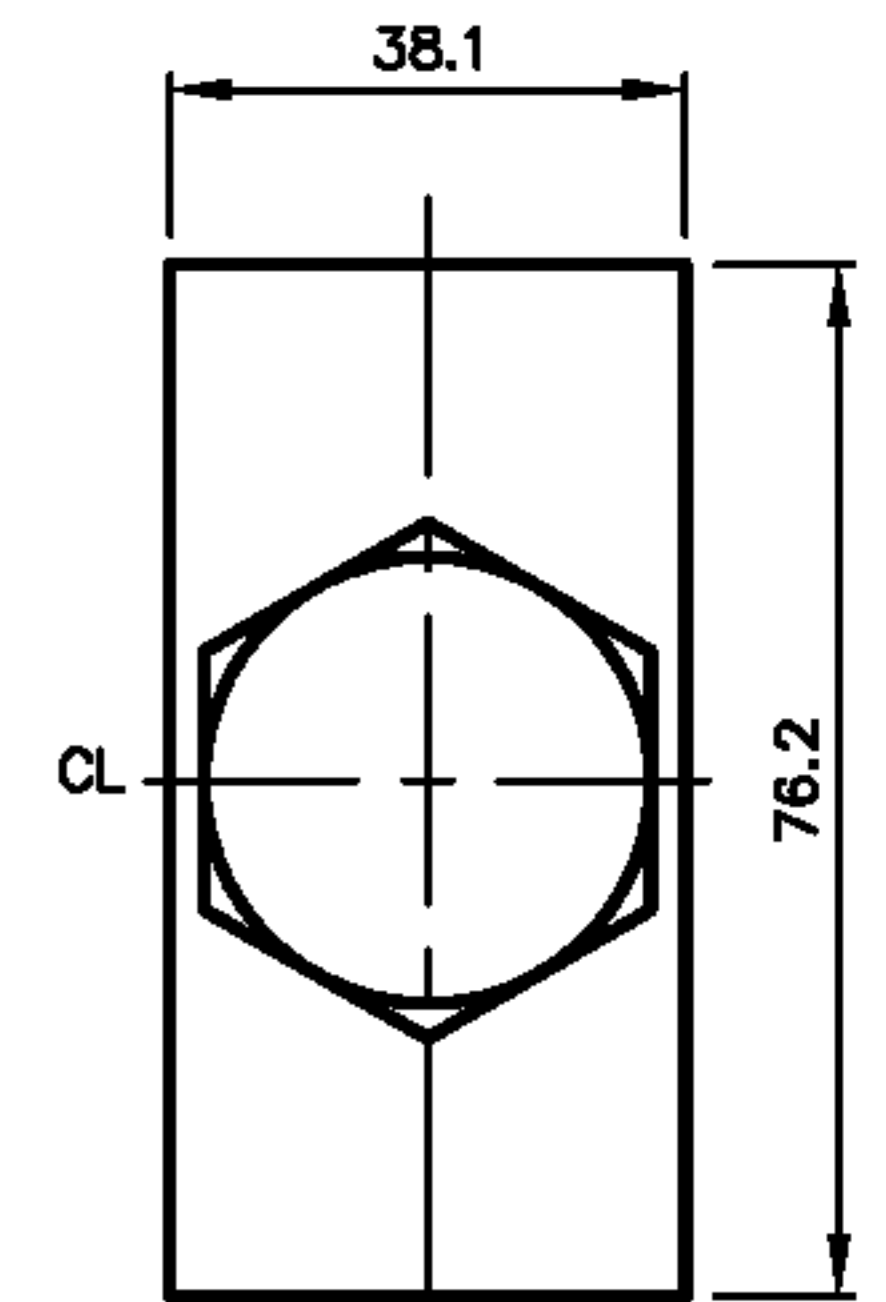
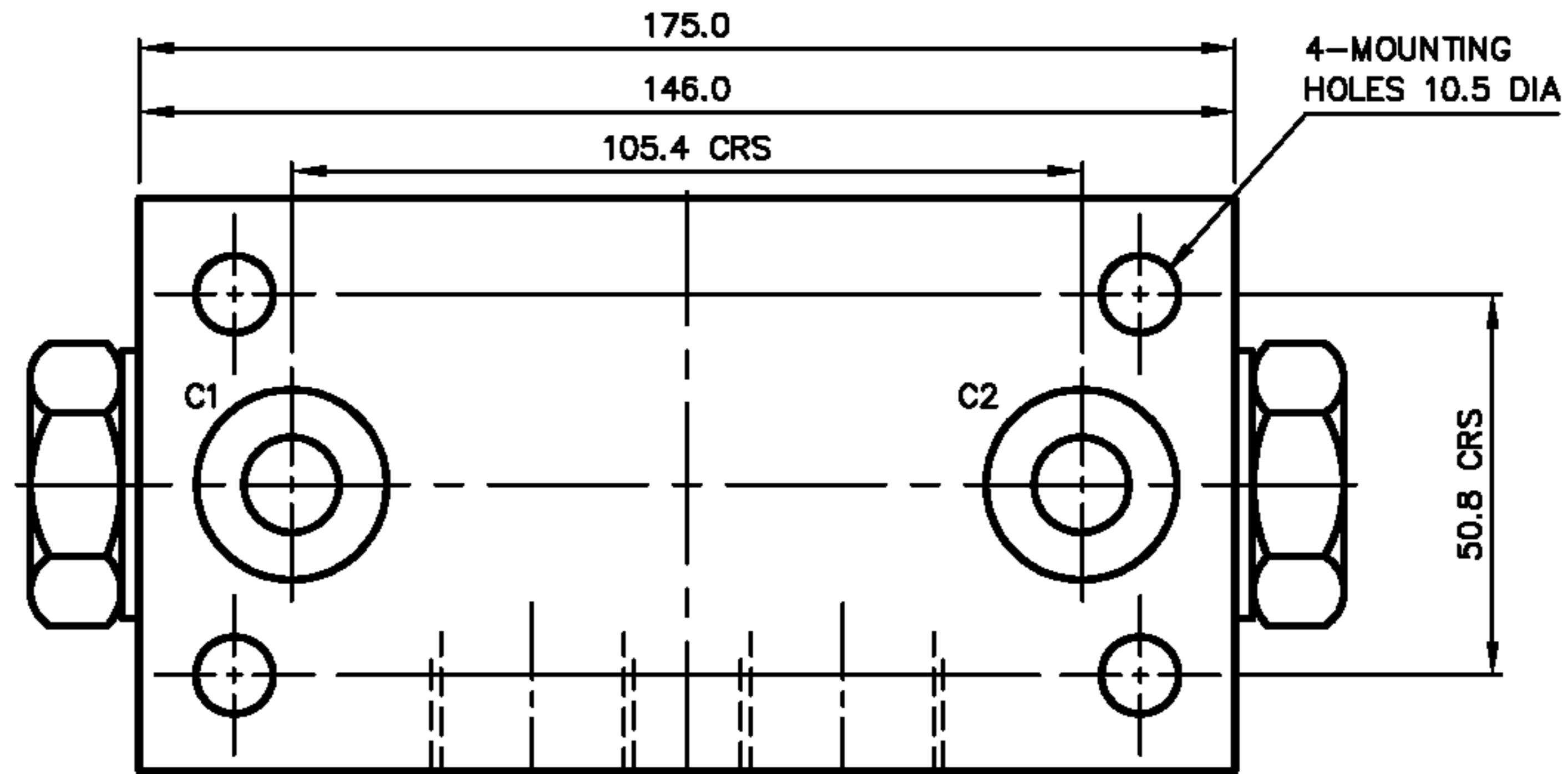
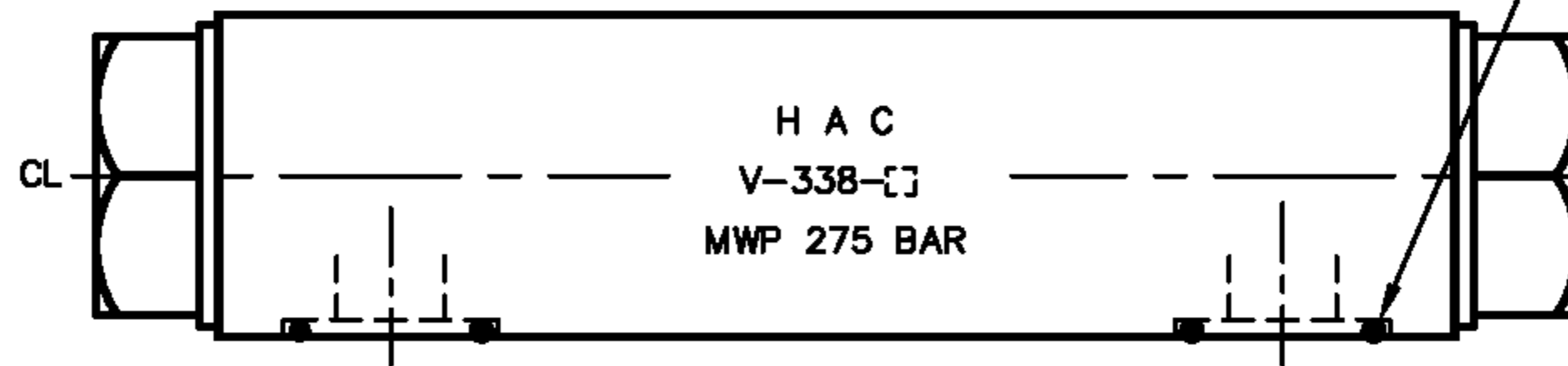
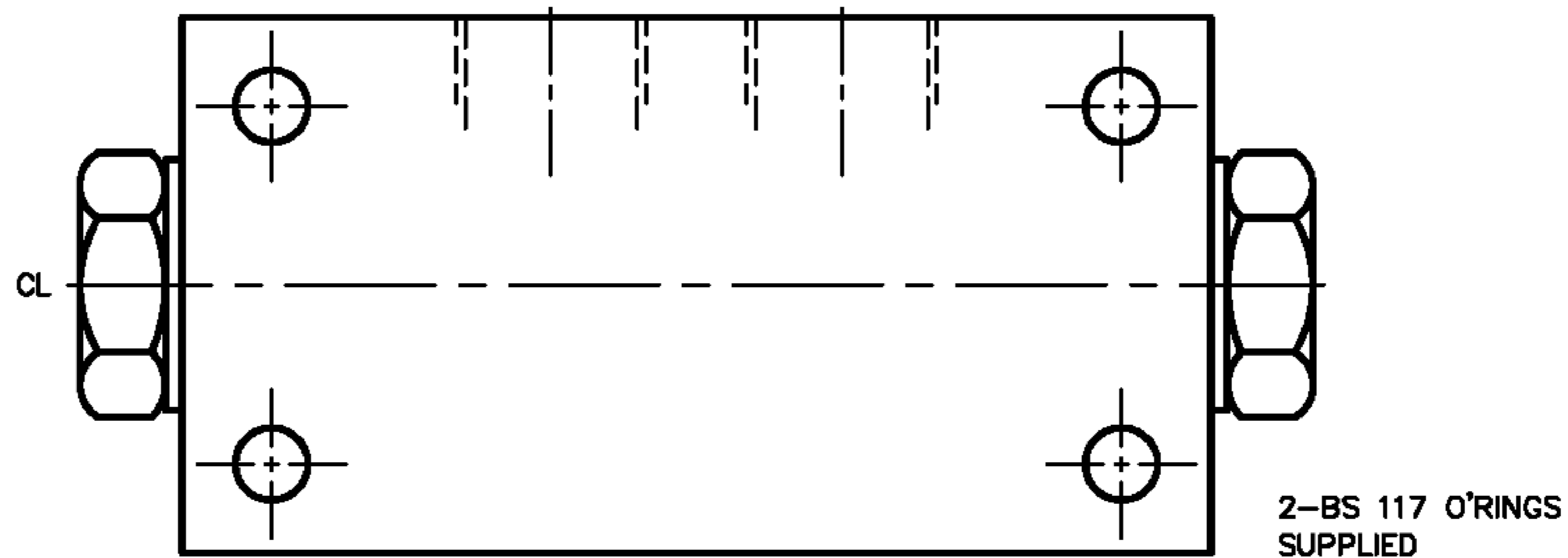


<b>DUAL P.O.CHECK VALVE</b>	
(4:1 RATIO)	
<b>MAX WORKING PRESSURE 275 BAR</b>	

<b>VALVE ORDERING INFORMATION</b>	
<b>TYPE</b>	<b>PORTS</b>
V-338-□	3/4 BSP (PL)
<b>ALL DIMENSIONS IN MM</b>	



VALVE TYPE **DUAL P.O.CHECK VALVE**  
PART MANIFOLD MOUNTED

DATE: 09/03/02  
ASSY: 5380  
SCALE: 0.9:1

TITLE **INSTALLATION**  
V-338

DRG NO **5381** ISS **A**