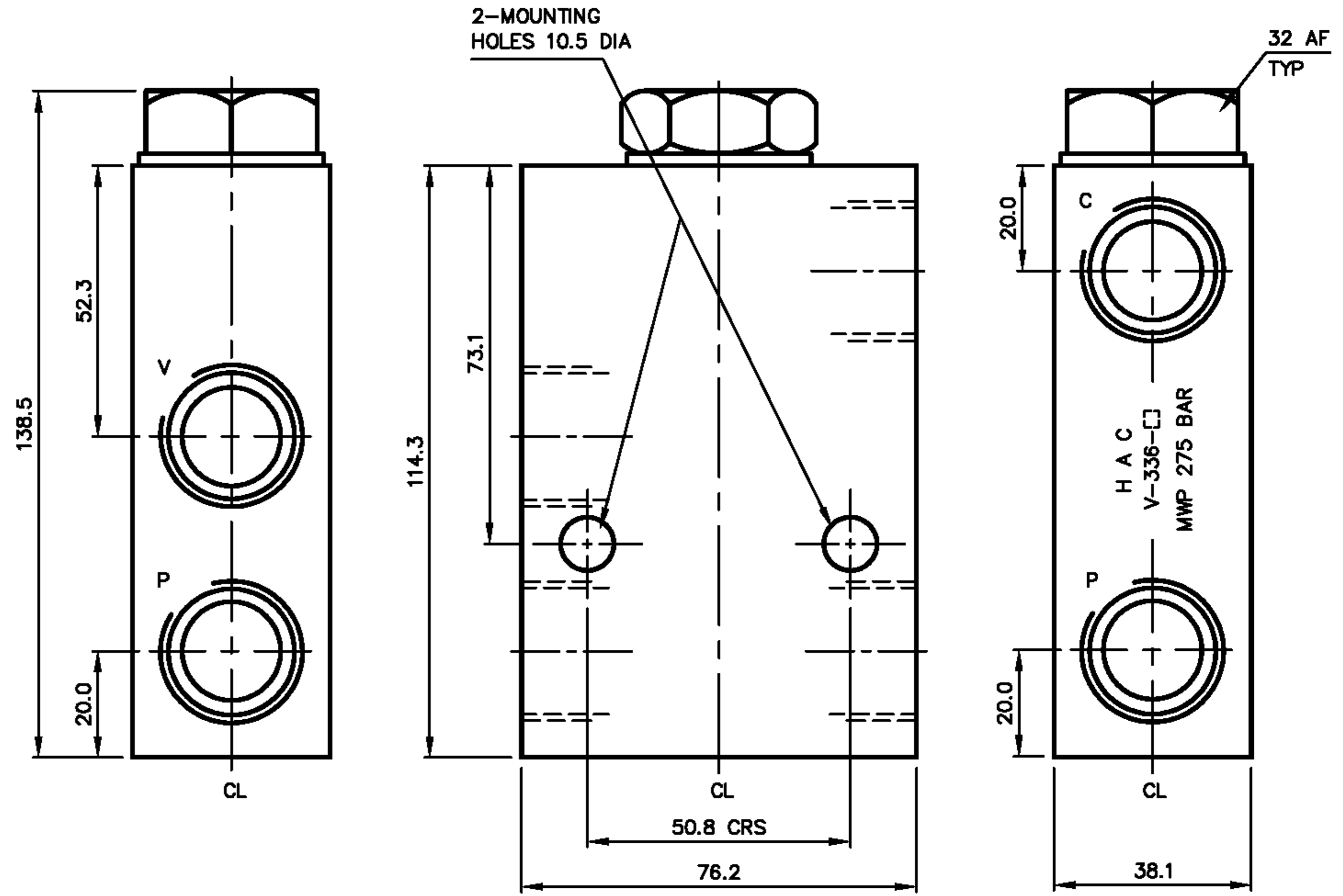
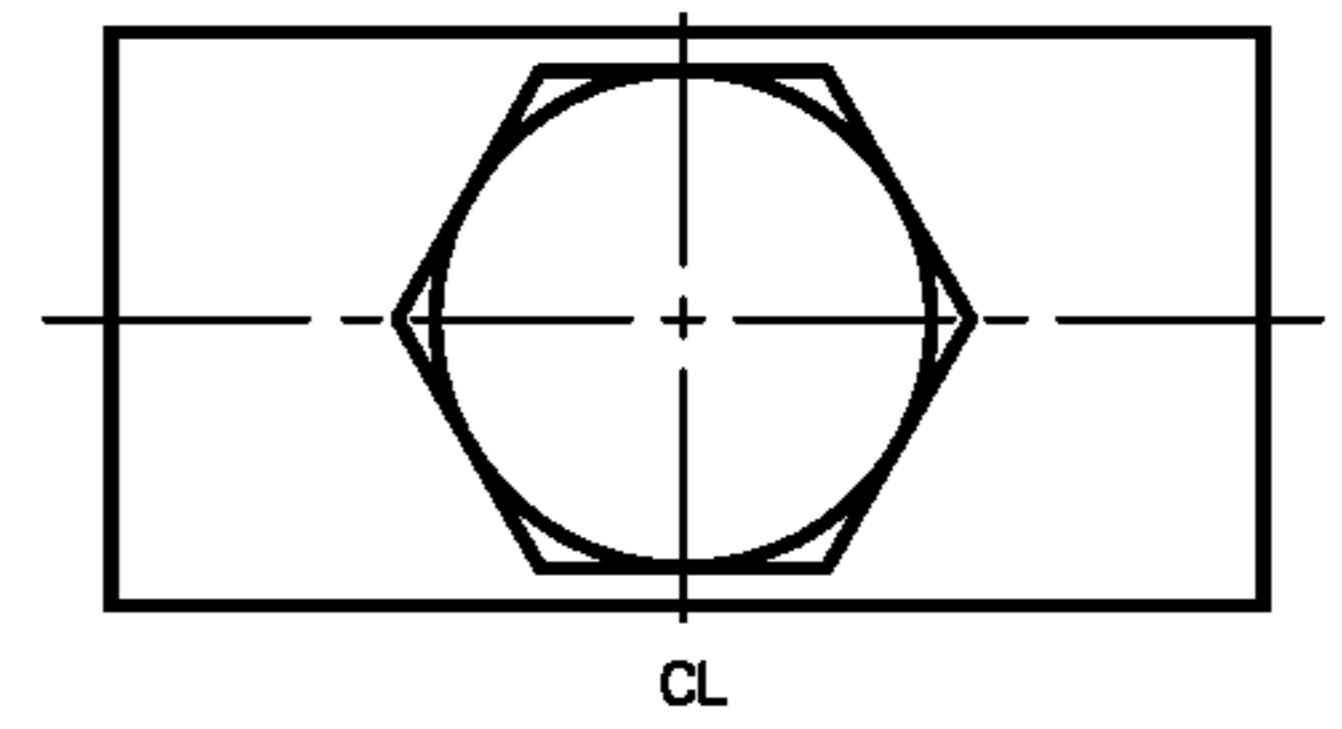
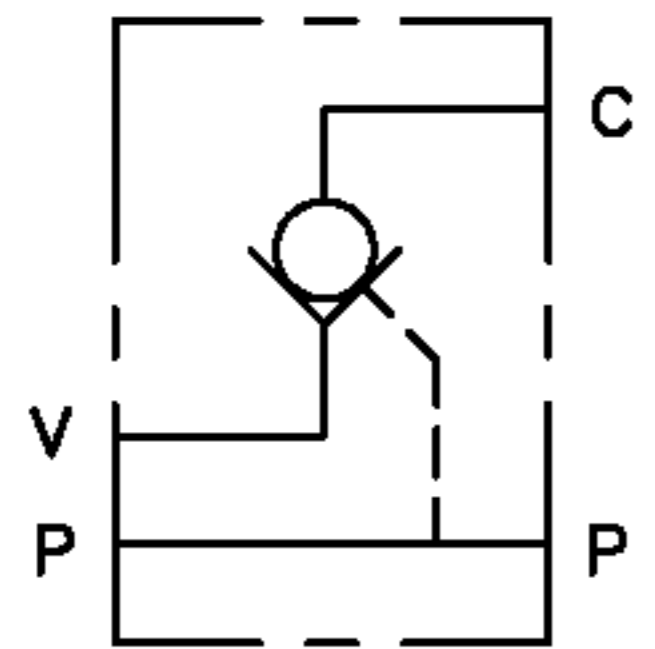


SINGLE PILOT OPERATED CHECK VALVE	
STANDARD RATIO 4:1	
MAX WORKING PRESSURE 275 BAR	

VALVE ORDERING INFORMATION	
TYPE	PORTS
V-336-C	1/2 BSP (PL)
V-336-D	3/4 BSP (PL)

ALL DIMENSIONS IN MM



VALVE TYPE SINGLE P.O.CHECK VALVE

DATE: 19/02/03
 ASSY: 6120
 SCALE: 1:1

TITLE INSTALLATION
 V-336

DRG NO 6121
 ISS A