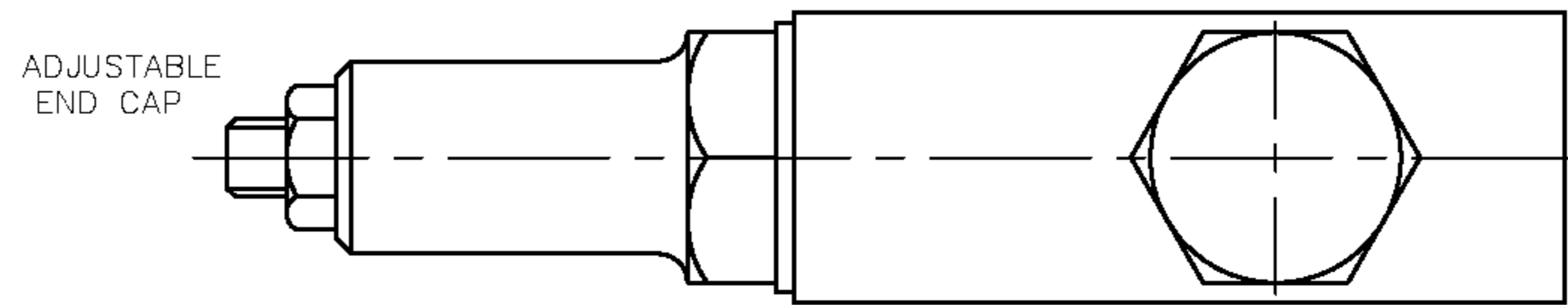
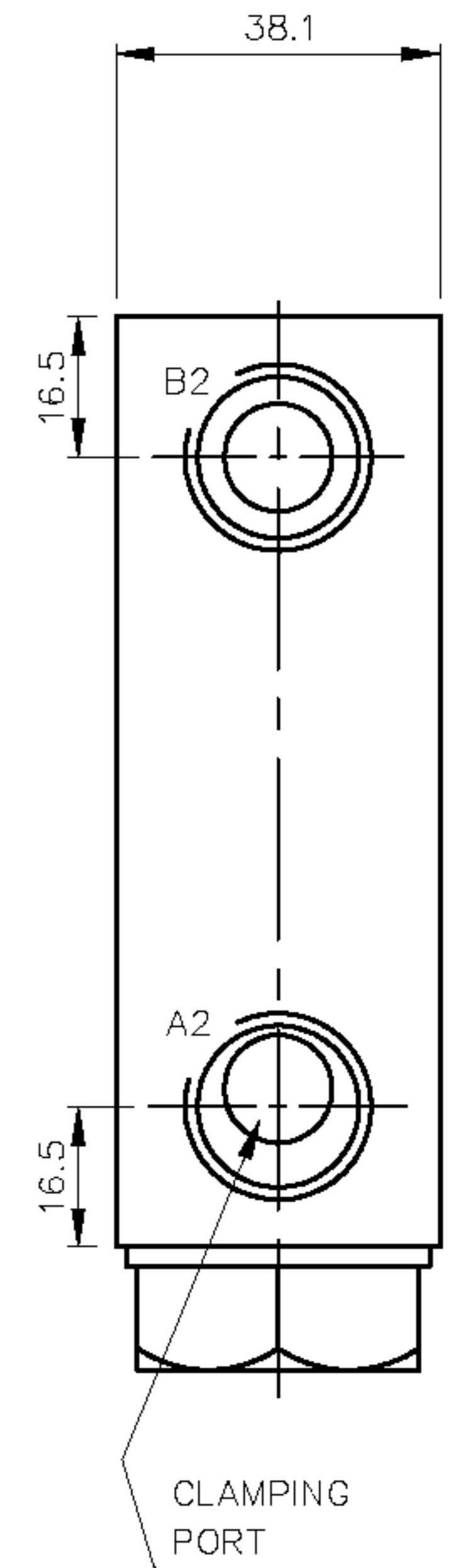
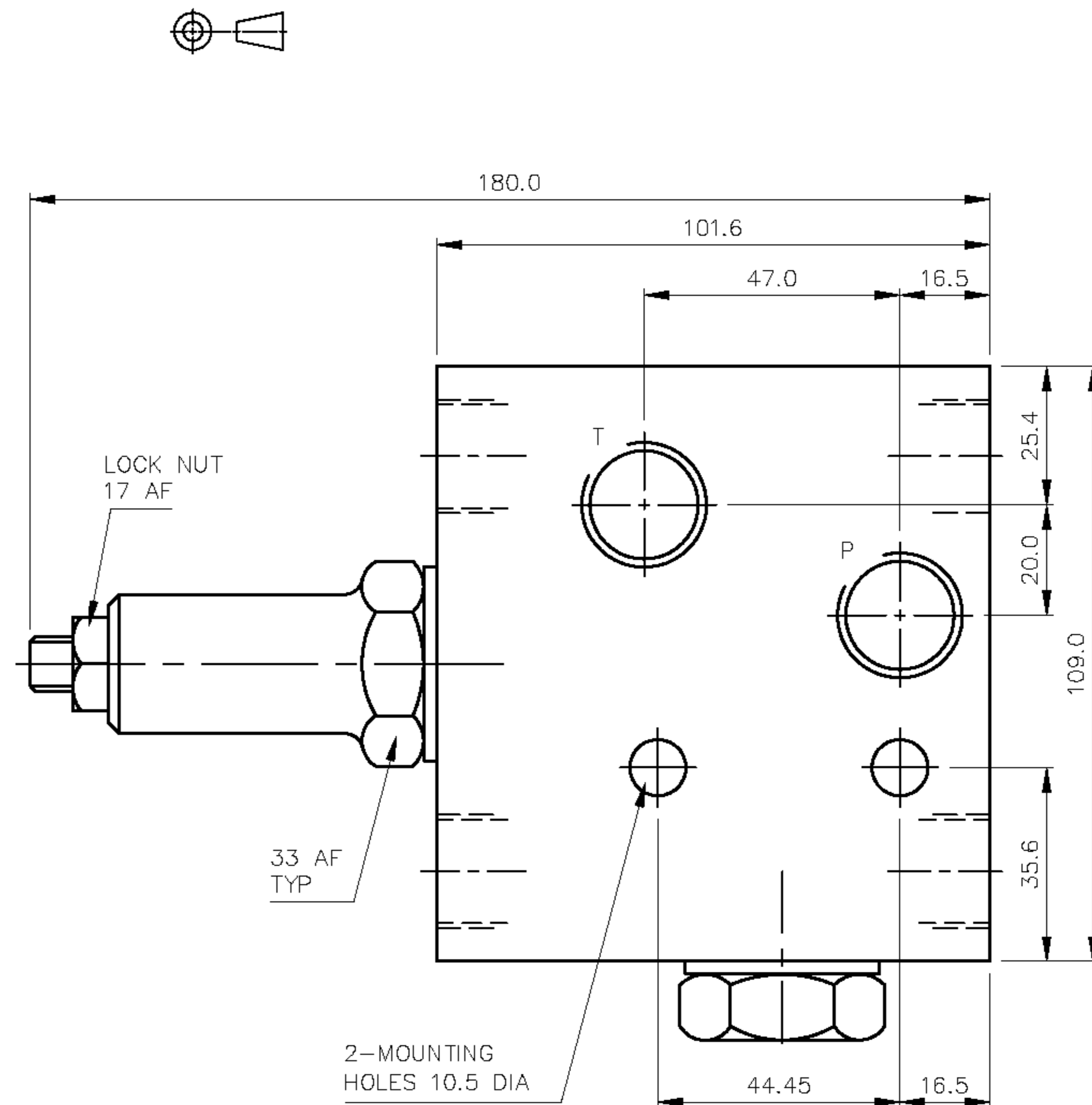
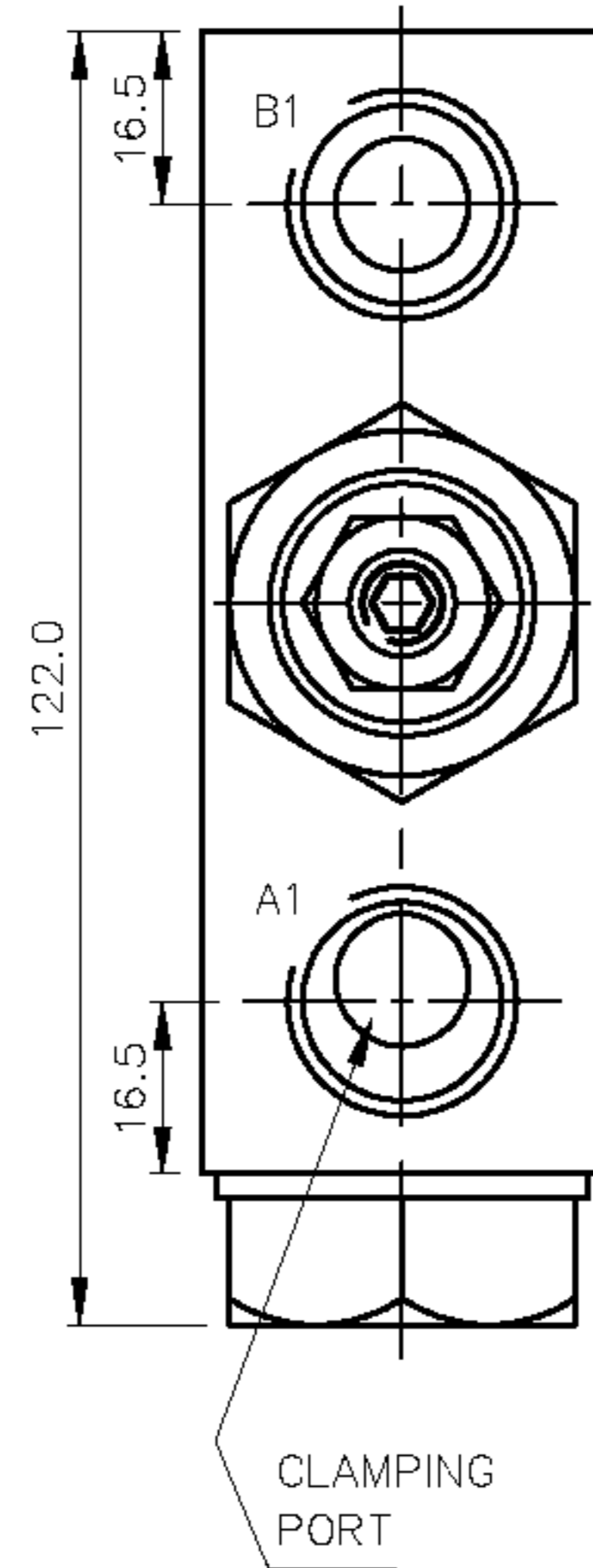
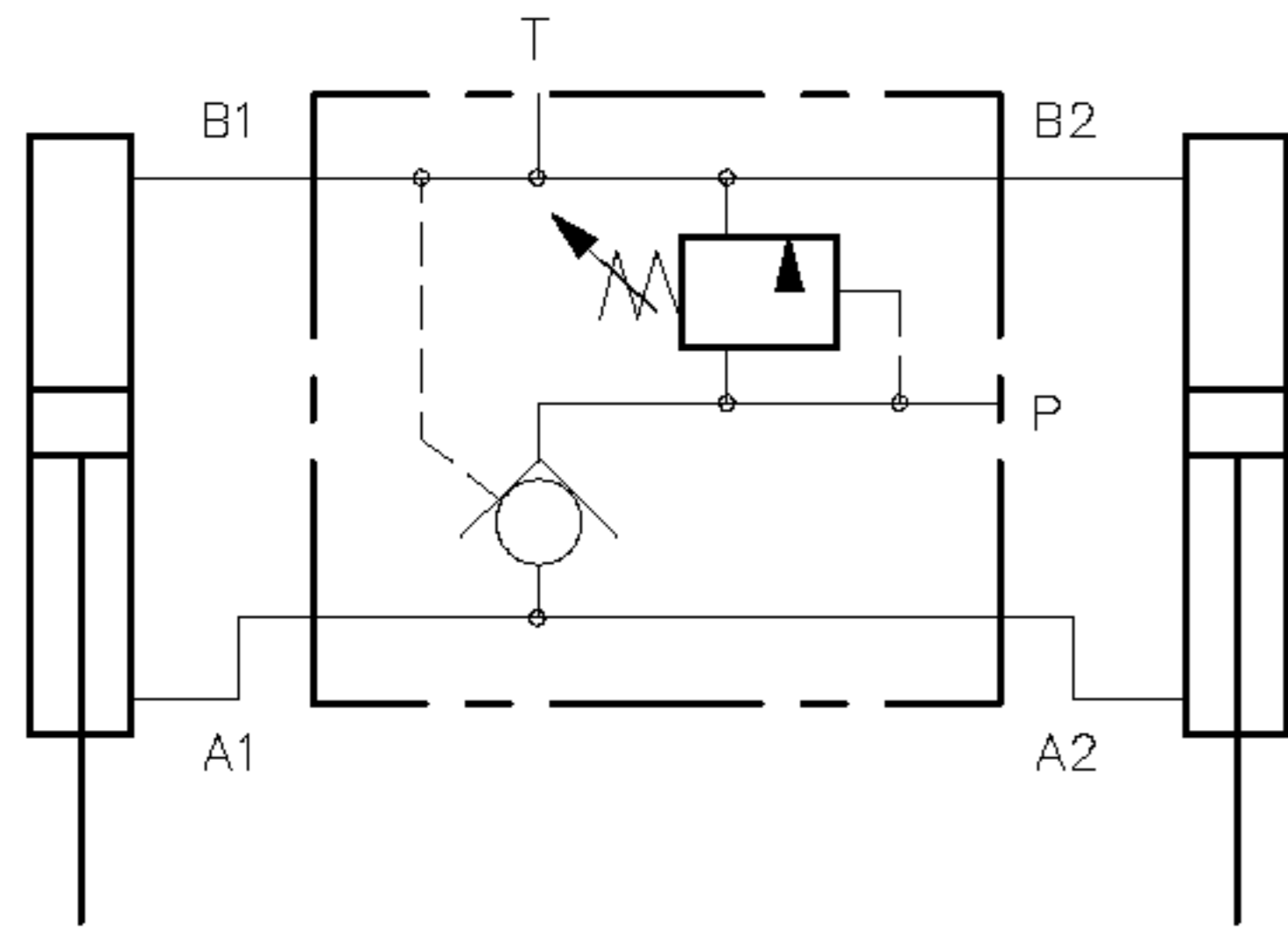


COMBINATION LOCK RELIEF VALVE
 EXAMPLE V-305-C200
 MAX WORKING PRESSURE 275 BAR

VALVE ORDERING INFORMATION	
TYPE	PORTS
V-305-C200	1/2 BSP (PL)

ALL DIMENSIONS IN MM



VALVE TYPE

COMBINATION VALVE
 SINGLE P.O.CHECK & RELIEF VALVE

DATE: 08/01/01
 ASSY: 9200
 SCALE: 0.9:1

TITLE
 INSTALLATION
 V-305-C200

DRG NO
 9201
 ISS
 A