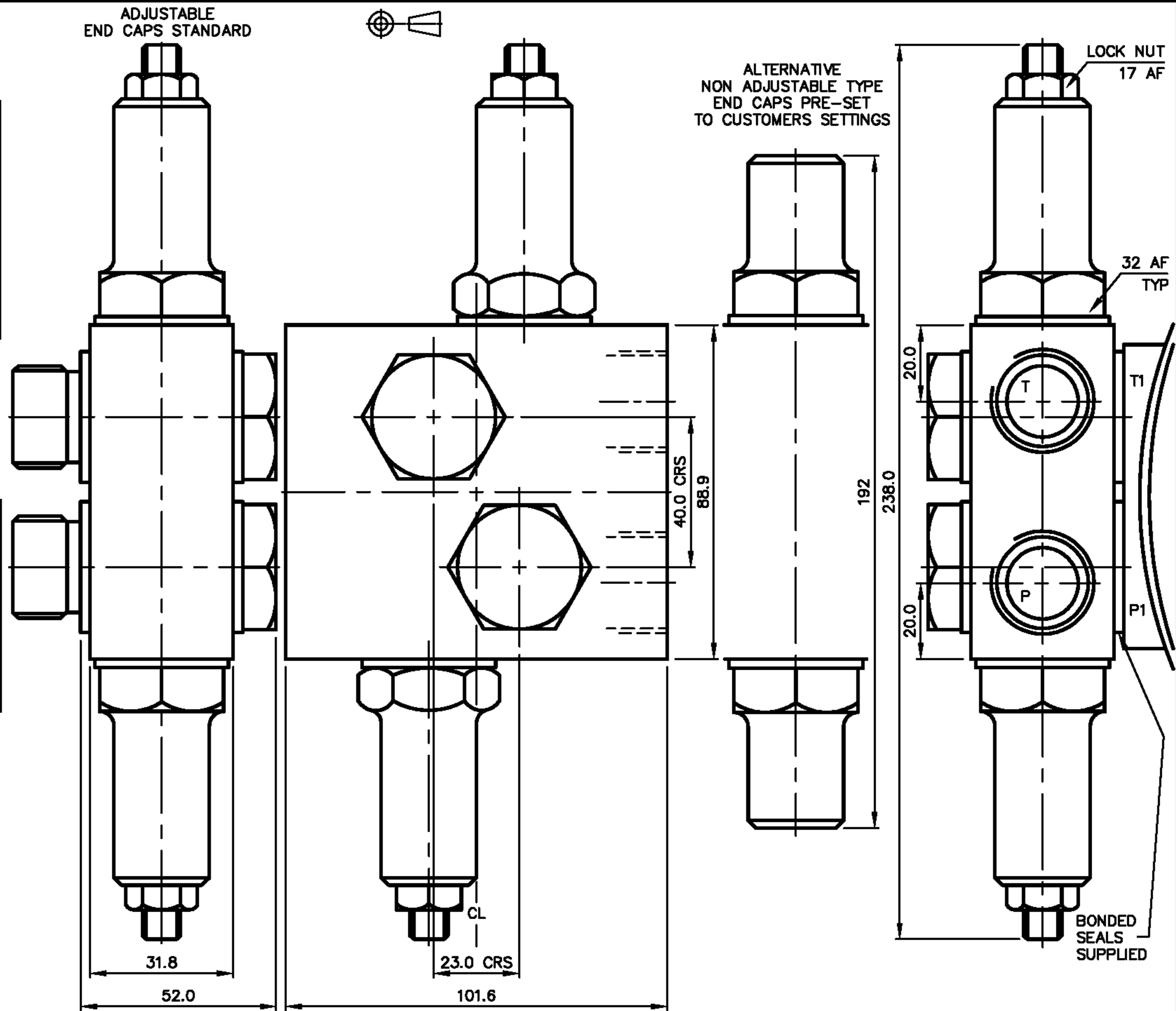
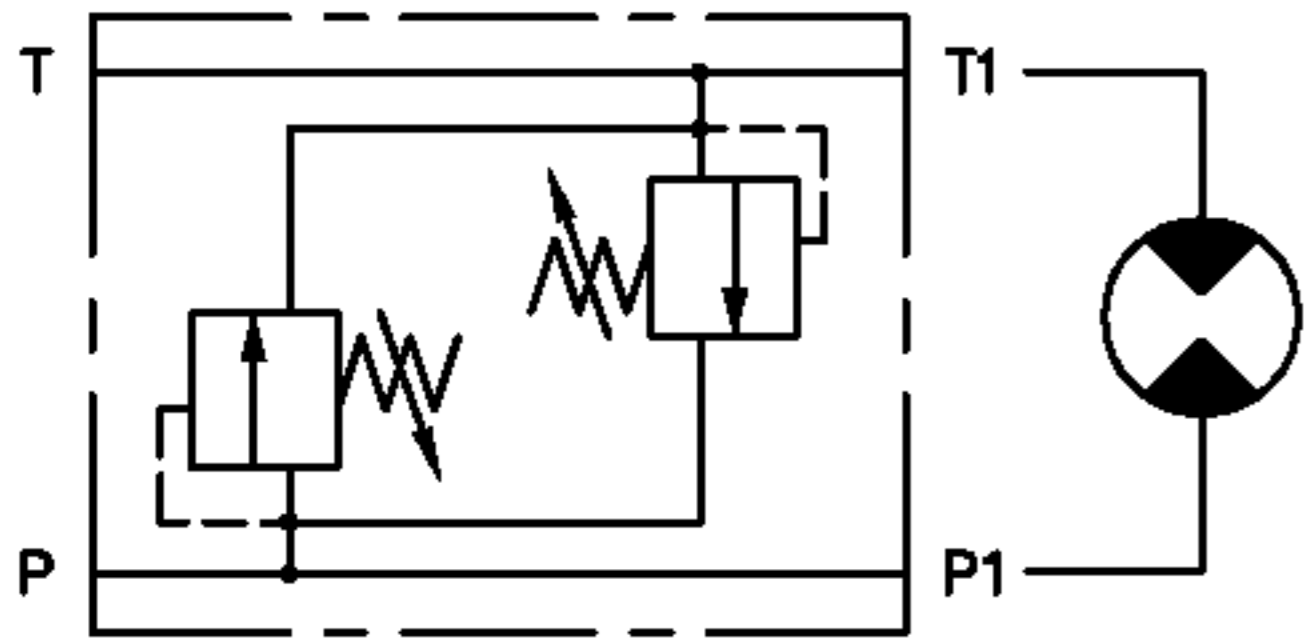


<b>DUAL CROSSLINE RELIEF VALVE</b>	
EXAMPLE V-248-□	
RELIEF PRESSURE RANGE AVAILABLE 0-210 BAR	
RELIEF PRESSURE RANGE AVAILABLE 0-138 BAR	
RELIEF PRESSURE RANGE AVAILABLE 0-55 BAR	
<b>MAX WORKING PRESSURE 275 BAR</b>	

<b>VALVE ORDERING INFORMATION</b>	
<b>TYPE</b>	<b>PORTS</b>
V-248-C	1/2 BSP (PL)
V-248-D	3/4 BSP (PL)
<b>ALL DIMENSIONS IN MM</b>	



VALVE TYPE **DUAL CROSS LINE RELIEF VALVE FOR DANFOSS OMT MOTOR**

DATE: 13/08/02  
 ASSY: 9075  
 SCALE: 0.95:1

TITLE **INSTALLATION V-248**

DRG NO **9076A** ISS