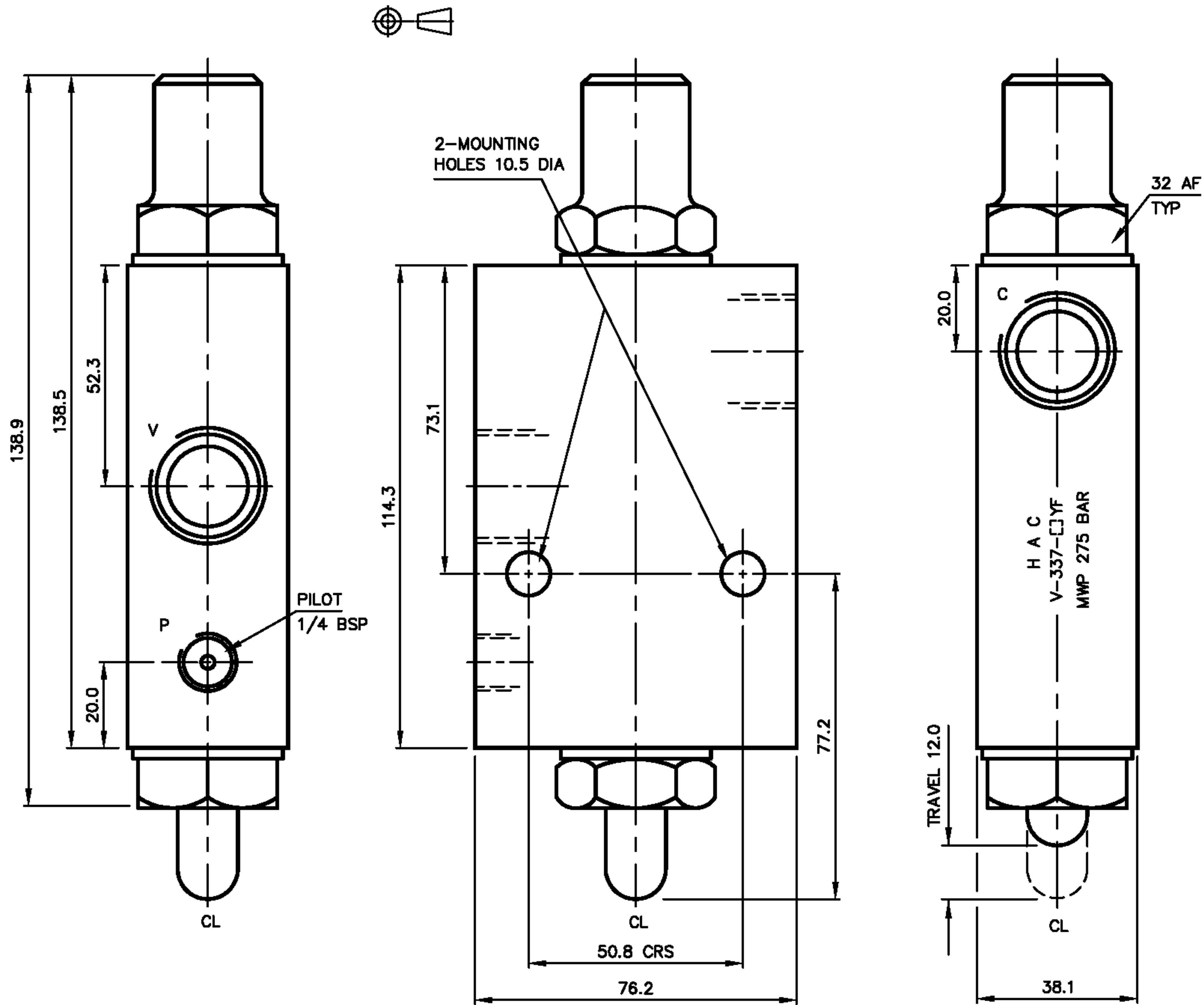
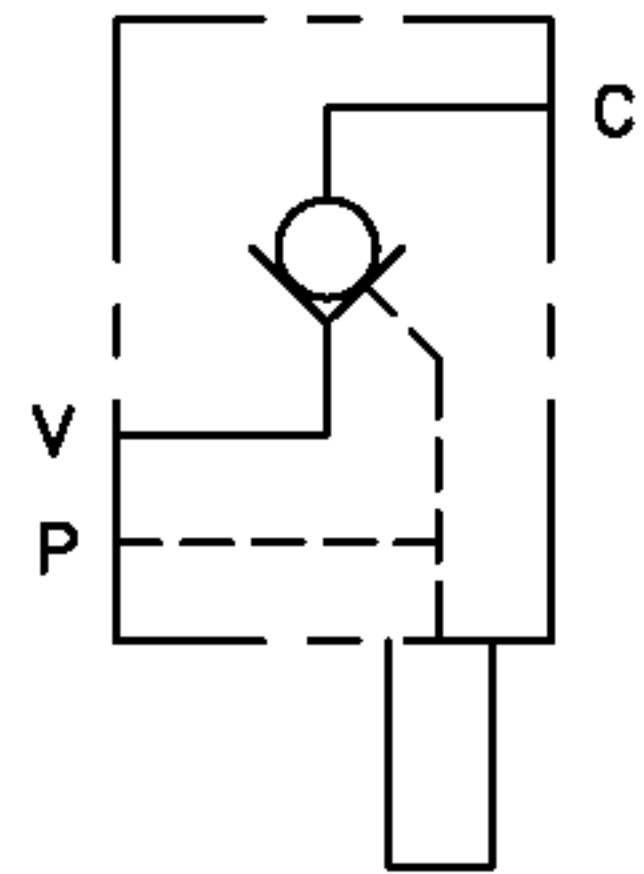


SINGLE PILOT OPERATED CHECK VALVE
MECHANICALLY OPERATED
STANDARD RATIO 12:1
MAX WORKING PRESSURE 275 BAR

VALVE ORDERING INFORMATION	
TYPE	PORTS
V-337-CYF	1/2 BSP (PL)
V-337-DYF	3/4 BSP (PL)

ALL DIMENSIONS IN MM



VALVE TYPE

SINGLE P.O.CHECK VALVE
MECHANICALLY OPERATED

DATE: 19/02/03
ASSY: 5902
SCALE: 1:1

TITLE INSTALLATION
V-337-[]YF

DRG NO 5903A
ISS