

SHUTTLE VALVE

EXAMPLE V-495

THIS VALVE IS USED WHERE A SERVICE FEED LINE HAS ALTERNATIVE MEANS OF SUPPLY, BUT ONLY

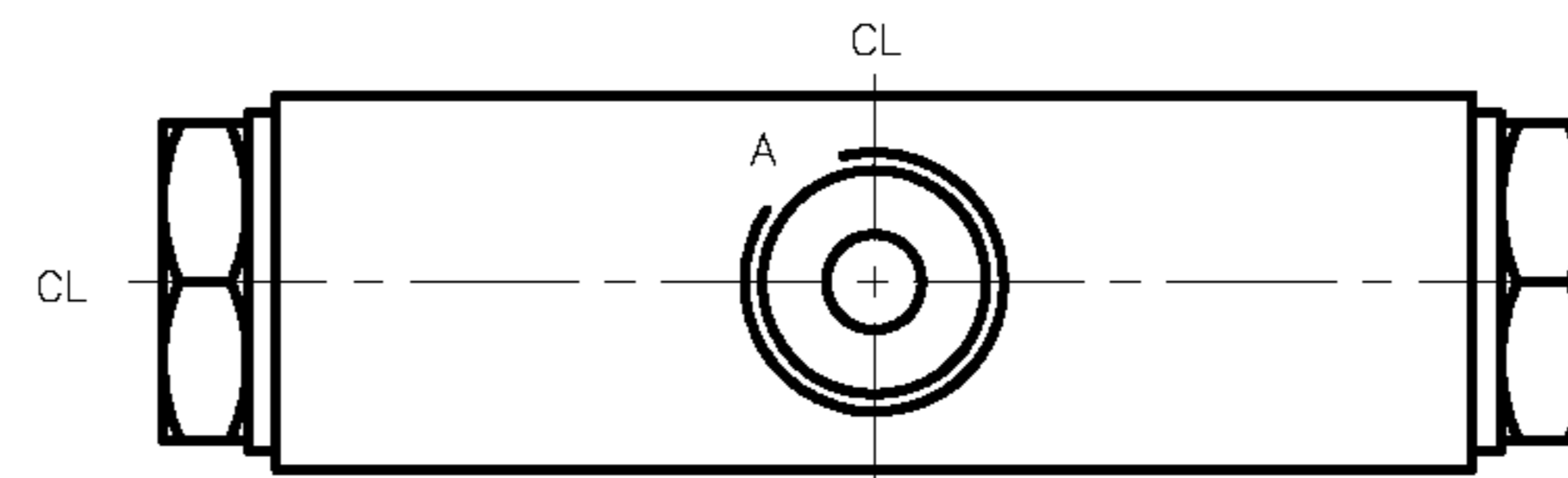
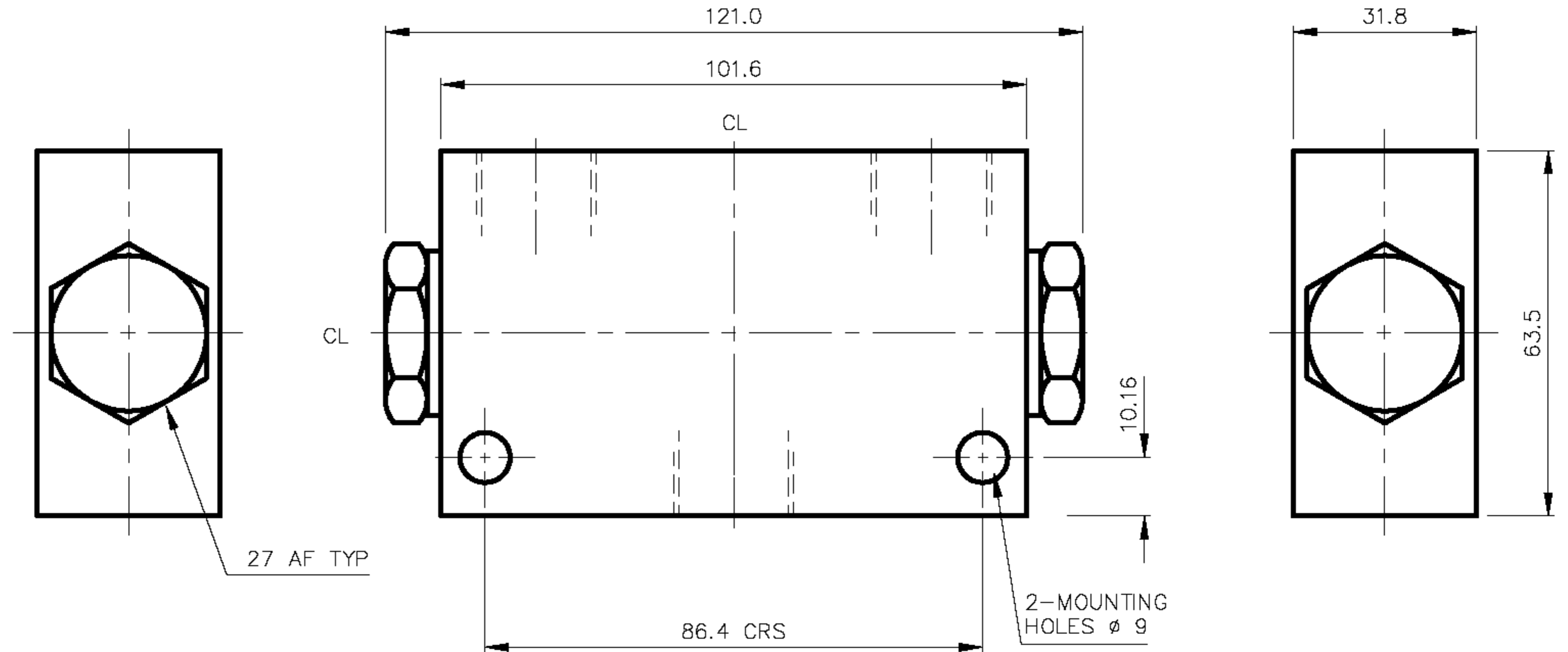
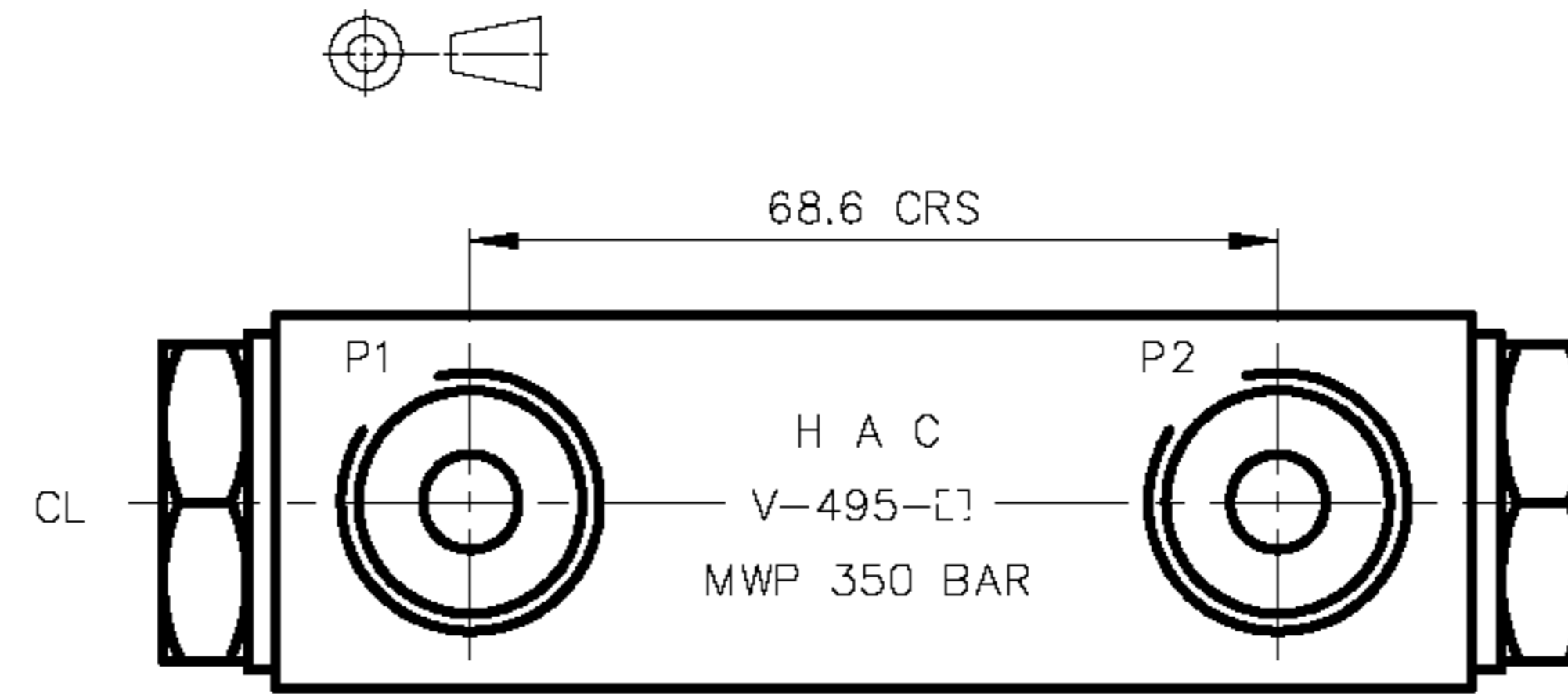
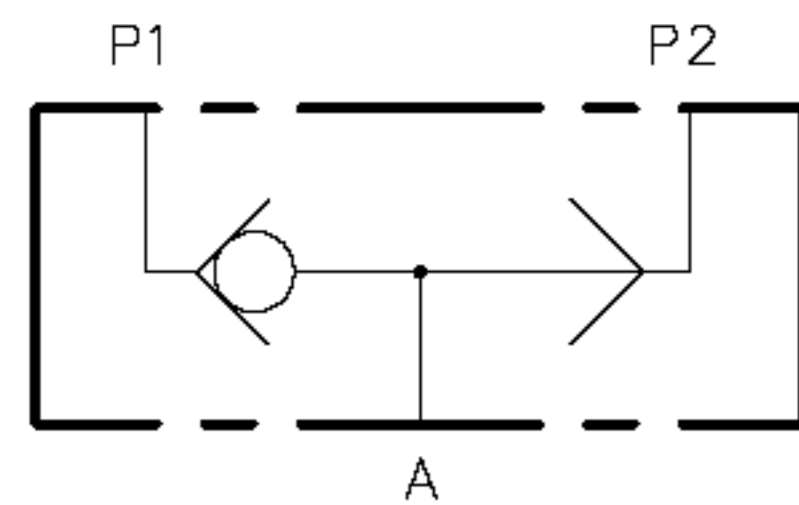
ONE SUPPLY IS USED AT A TIME

MAX WORKING PRESSURE 350 BAR

VALVE ORDERING INFORMATION

TYPE	PORTS
V-495-A	1/4 BSP (PL)
V-495-B	3/8 BSP (PL)
V-495-C	1/2 BSP (PL)

ALL DIMENSIONS IN MM



VALVE TYPE

SHUTTLE VALVE

DATE: 12/07/01

ASSY: 5510

SCALE: 1:1

TITLE INSTALLATION
V-495

DRG NO
5511

ISS
A