

MOTOR DUAL CROSSLINE RELIEF VALVE

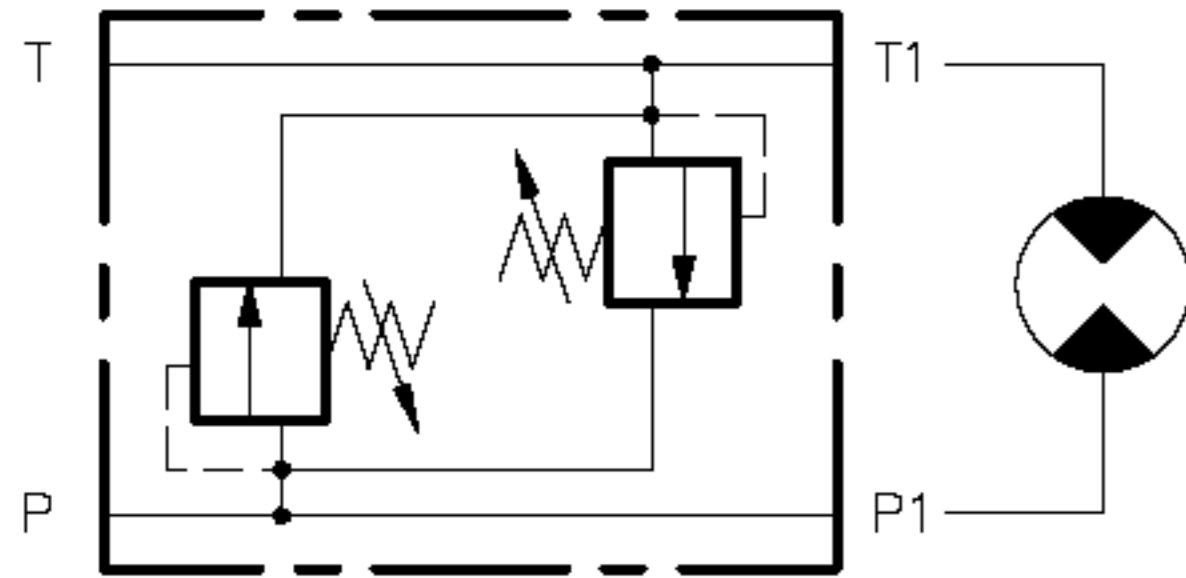
EXAMPLE V-618-C

RELIEF PRESSURE RANGE AVAILABLE 0-240 BAR

RELIEF PRESSURE RANGE AVAILABLE 0-138 BAR

RELIEF PRESSURE RANGE AVAILABLE 0-55 BAR

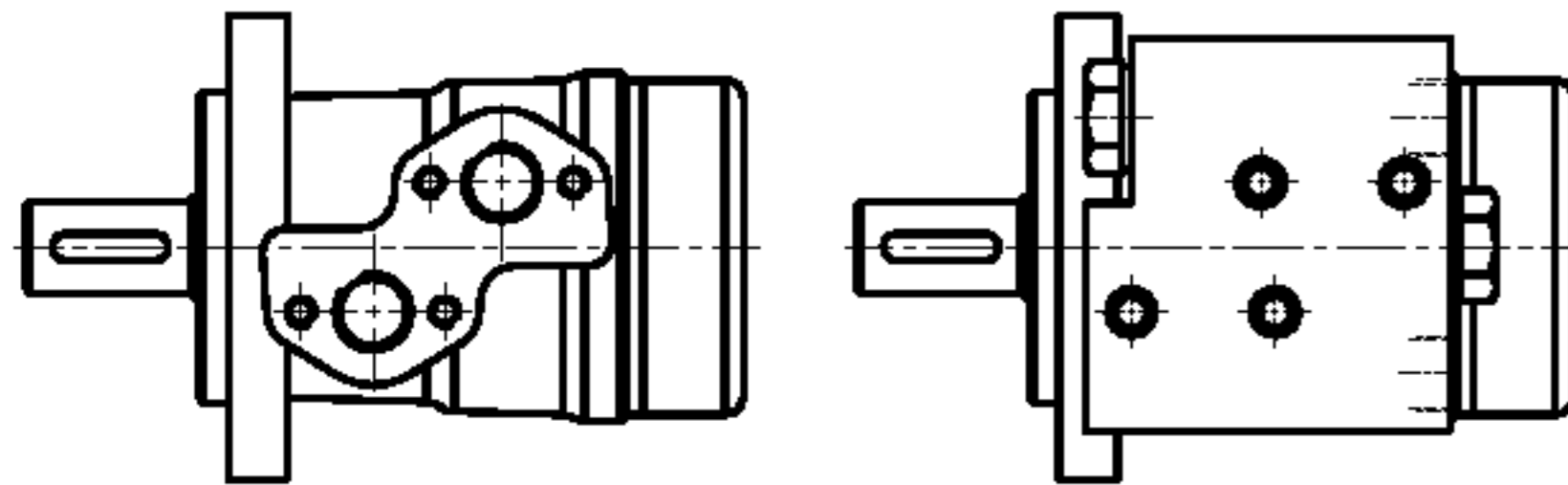
MAX WORKING PRESSURE 350 BAR



VALVE ORDERING INFORMATION

| TYPE | PORTS |
|---------|--------------|
| V-618-C | 1/2 BSP (PL) |

ALL DIMENSIONS IN MM

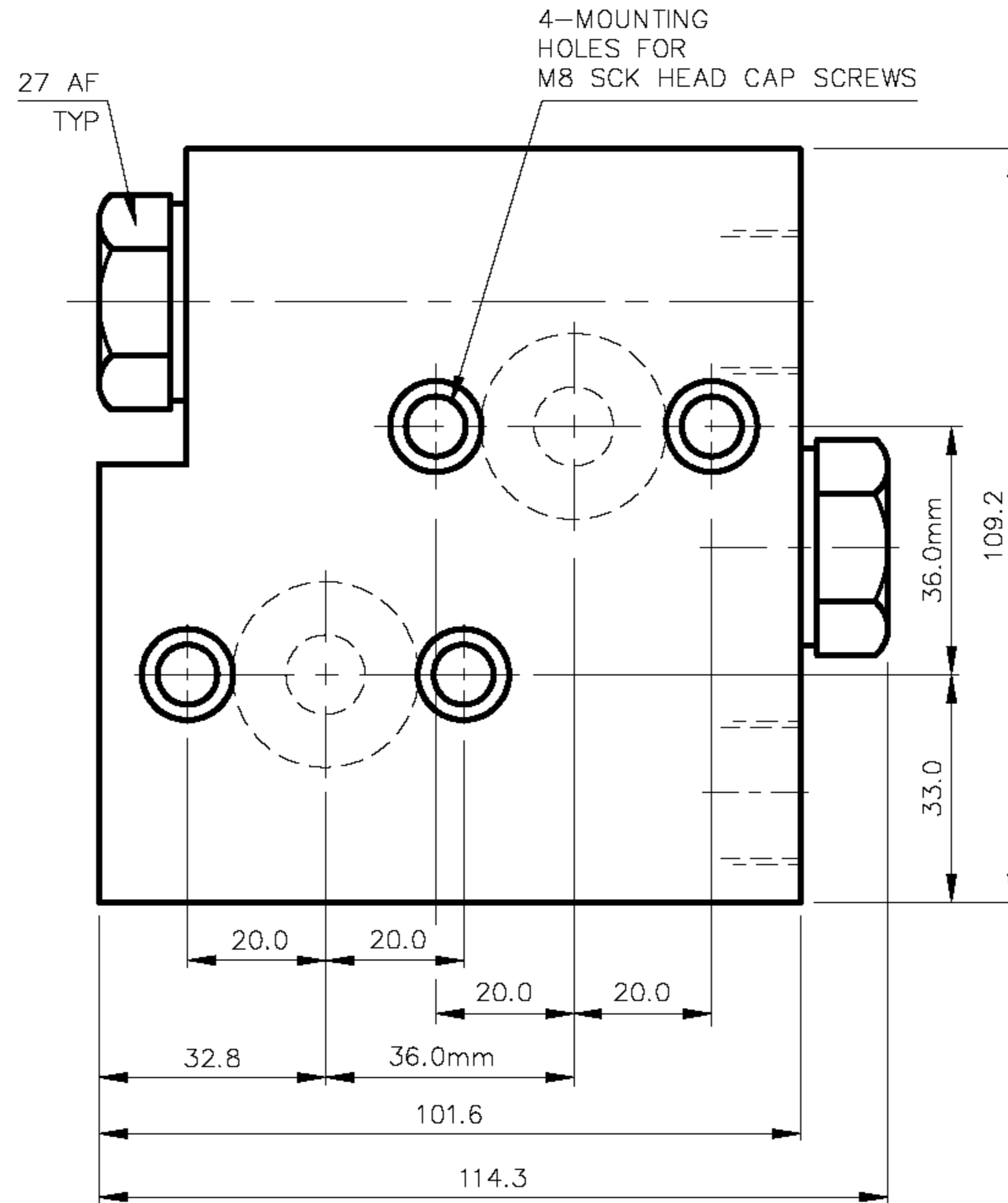
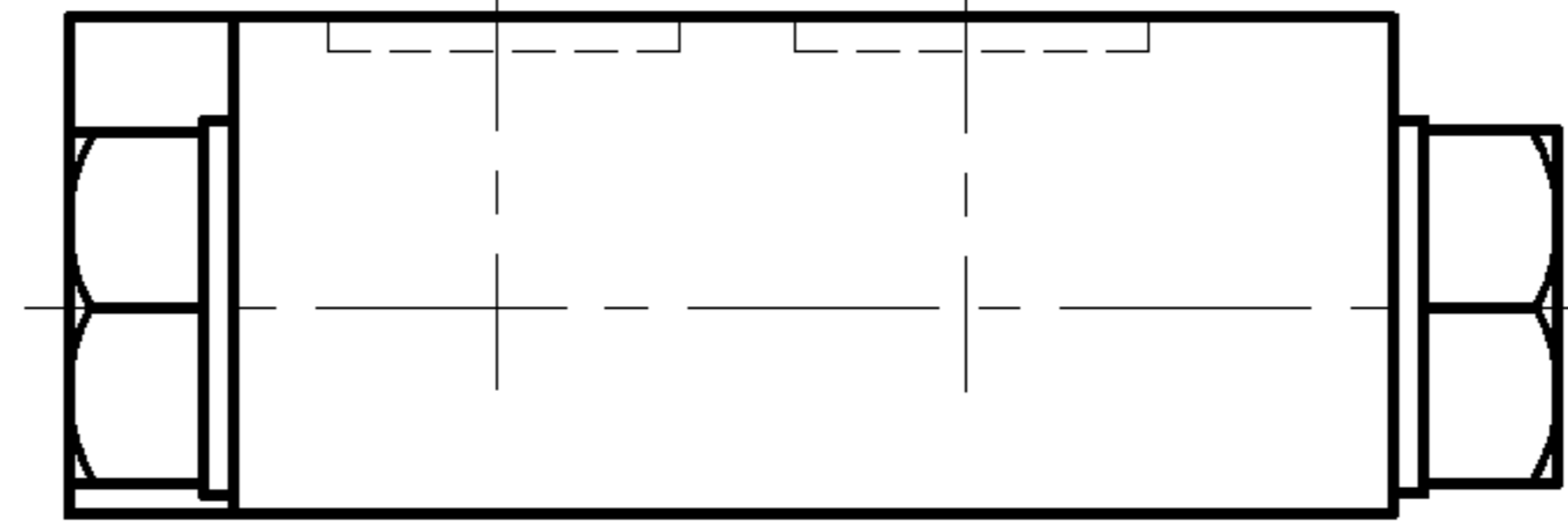
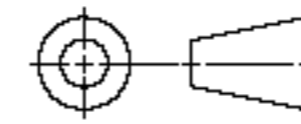


TO FIT THE FOLLOWING MOTORS

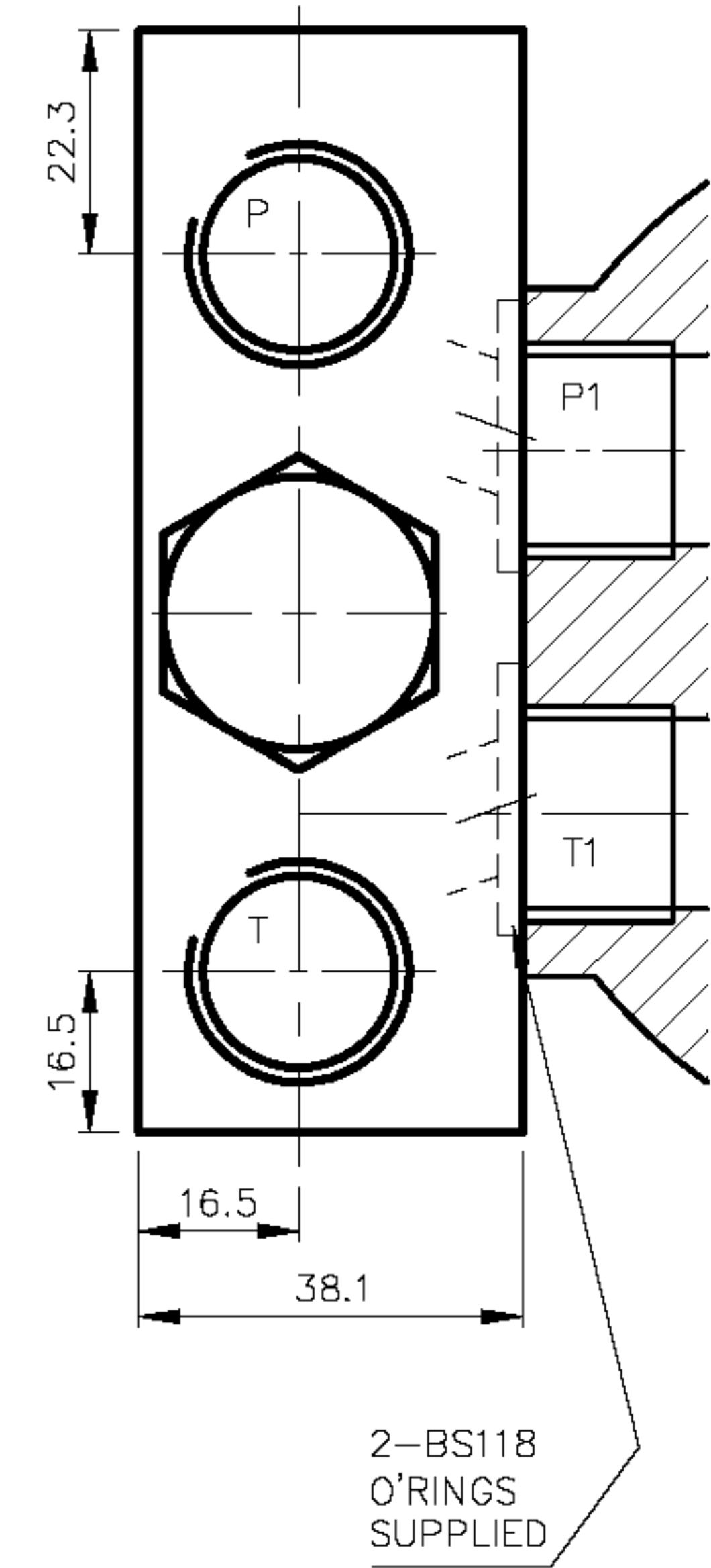
ADAN AVMP & AWMR TYPE

SAUER DANFOSS OMP & OMR TYPE

WHITE HYDRAULICS MP & MR



ALTERNATIVE
NON ADJUSTABLE TYPE
END CAPS PRE-SET
TO CUSTOMERS SETTINGS



TYPE

MOTOR DUAL CROSSLINE RELIEF VALVE
MANIFOLD MOUNTED

DATE: 09/12/03

ASSY: 7875 CAT

SCALE: 1:1

TITLE INSTALLATION
V-618-C

DRG NO

7876A

ISS