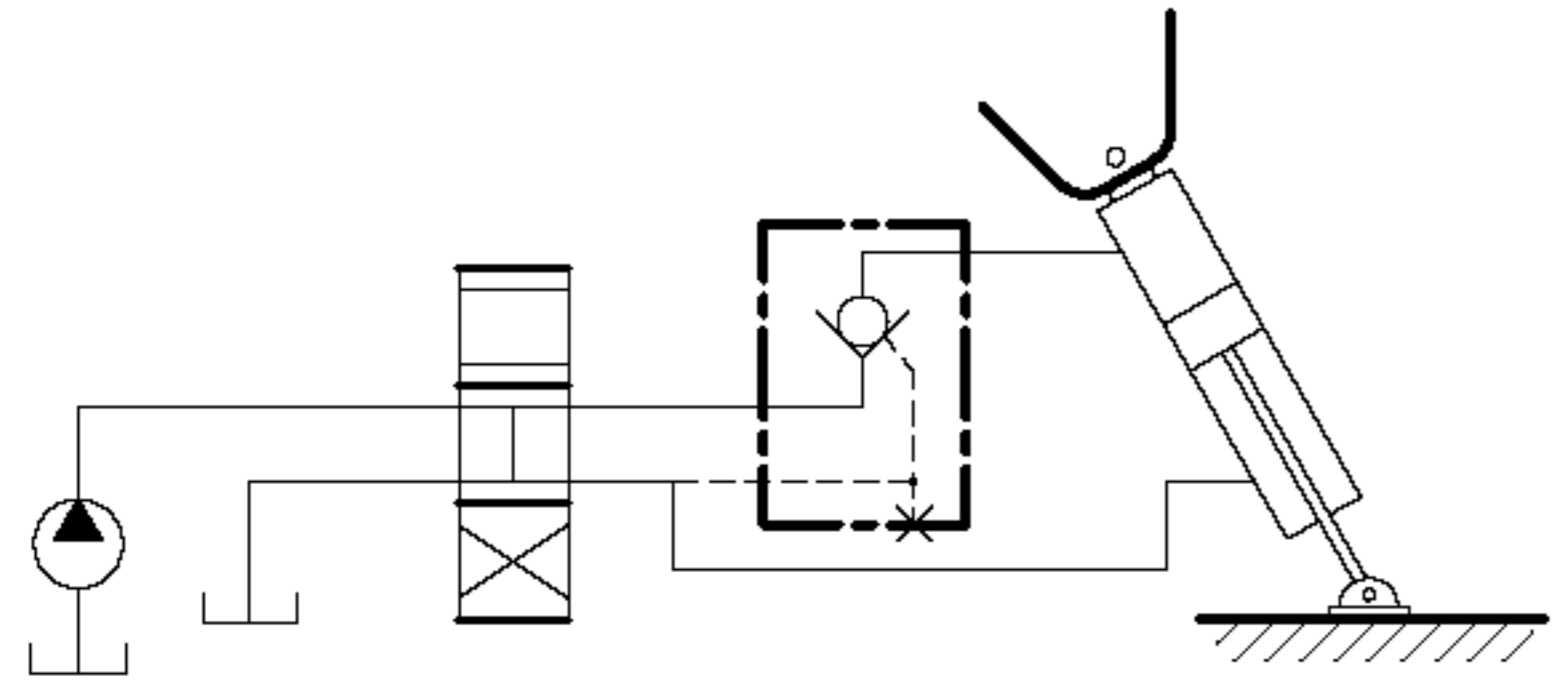
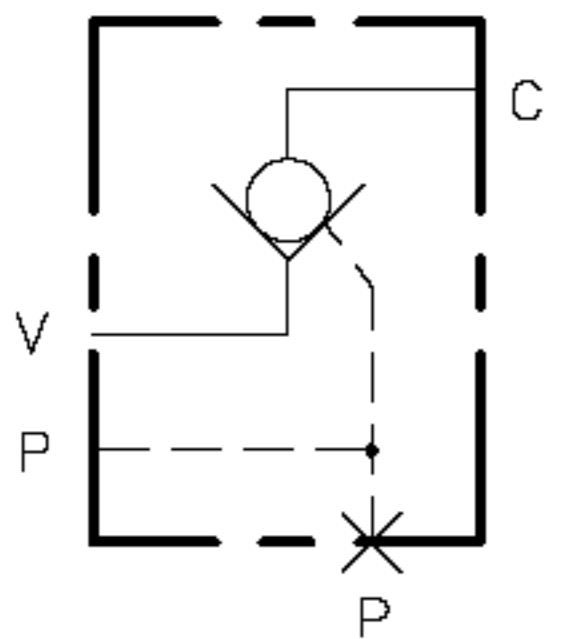
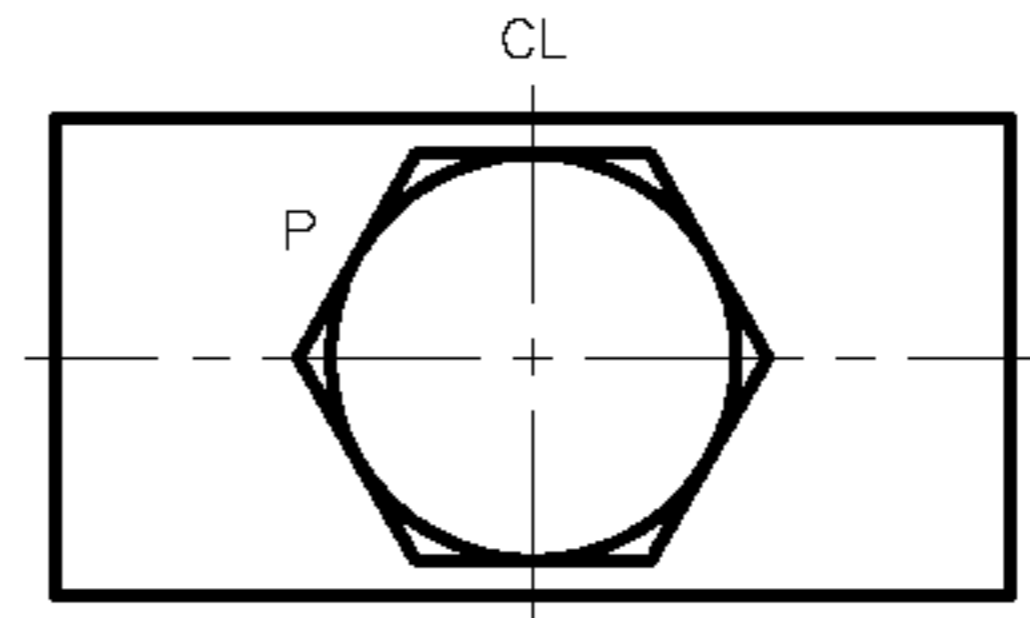
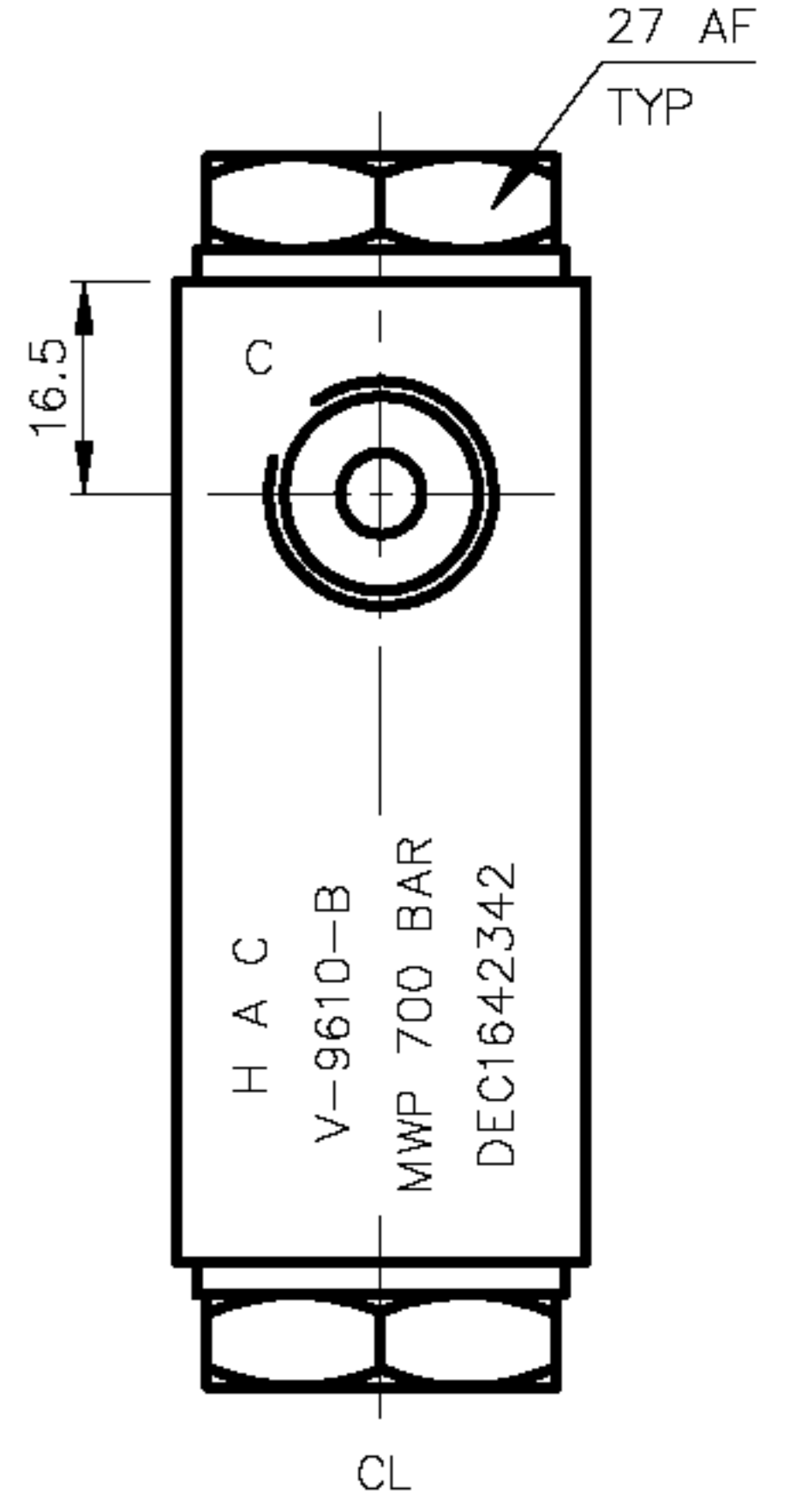
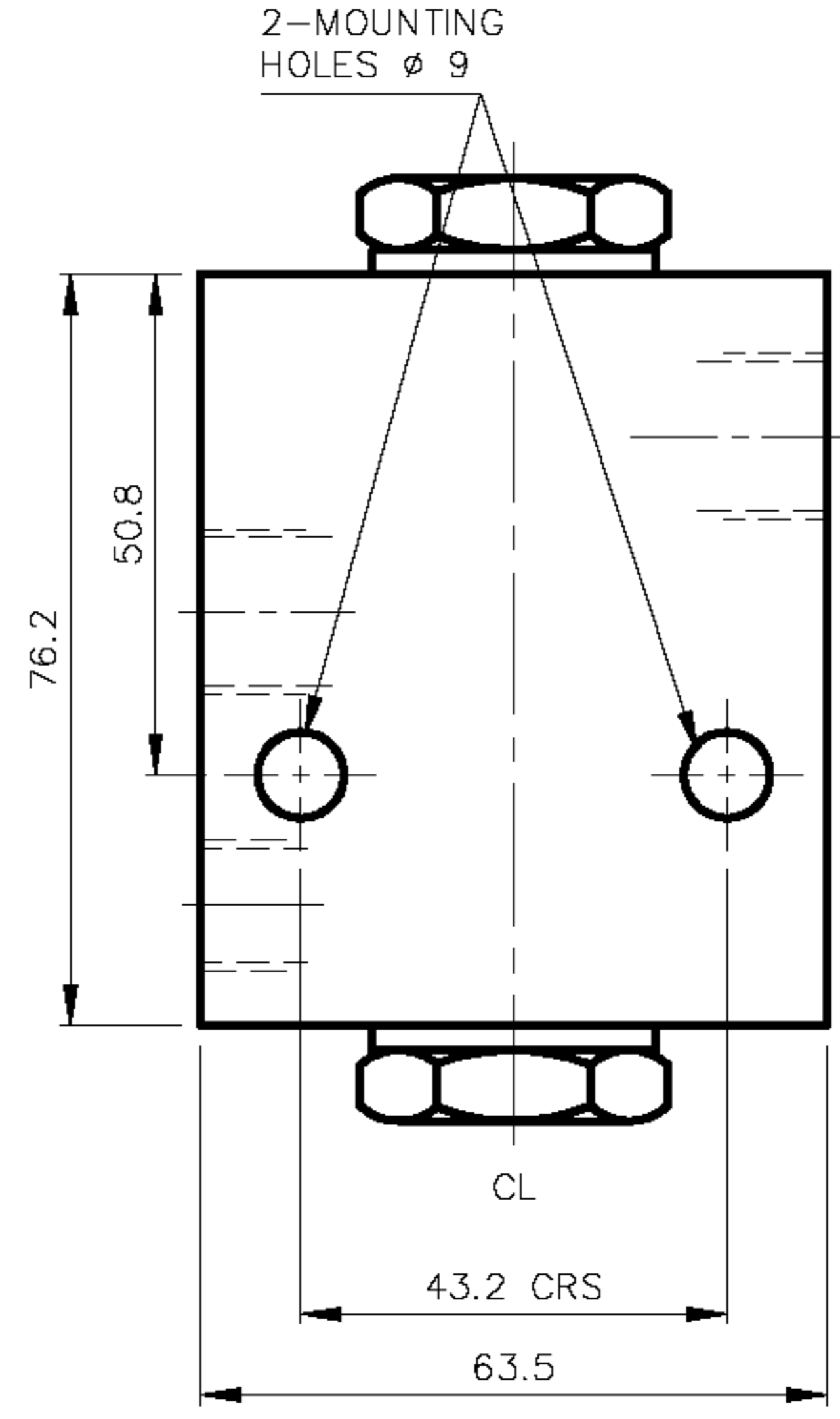
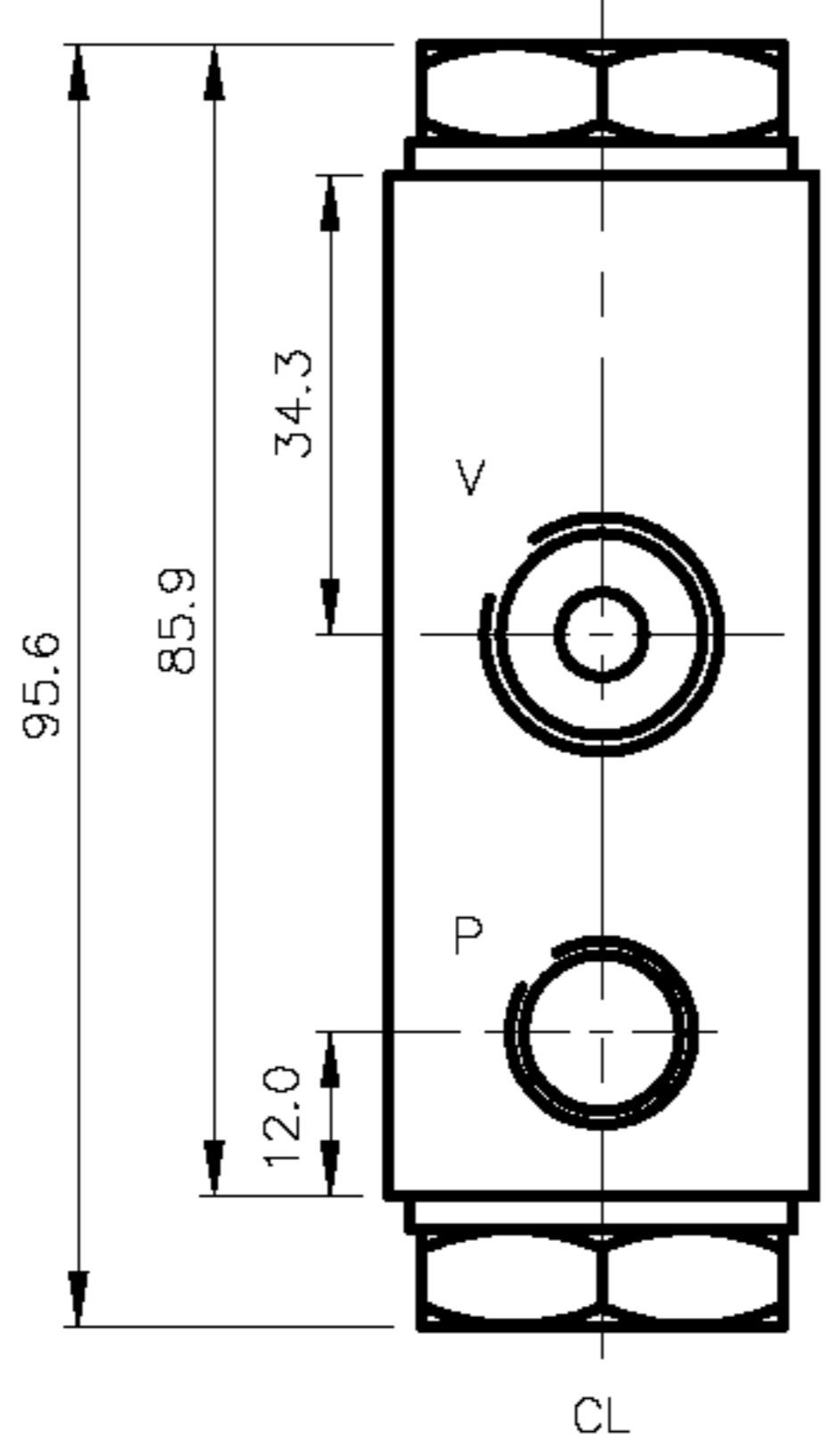
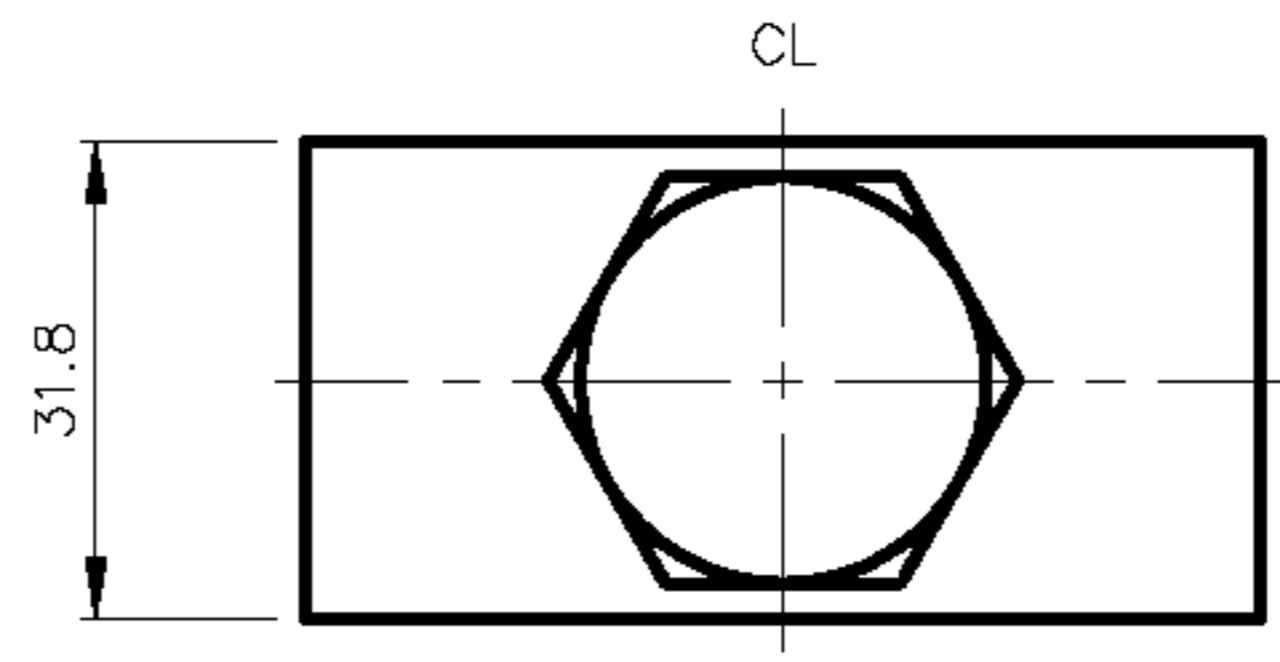
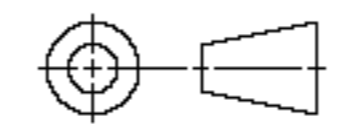


SINGLE P.O CHECK VALVE
STANDARD 3:1 RATIO
EXAMPLE V-9610-B
MAX WORKING PRESSURE 700 BAR

VALVE ORDERING INFORMATION		
TYPE	PORTS	PILOT PORT P
V-9610-B	3/8 BSP (PL)	1/4 BSP (PL)
ALL DIMENSIONS IN MM		



TYPICAL OUTRIGGER JACK CIRCUITRY HYDRAULIC CRANE, LOW LOADER OR ACCESS PLATFORM.



VALVE TYPE SINGLE P.O.CHECK VALVE

DATE: 30/10/03
 ASSY: 9610
 SCALE: 1:1

TITLE INSTALLATION
 V-9610-B

DRG NO 9611

ISS A