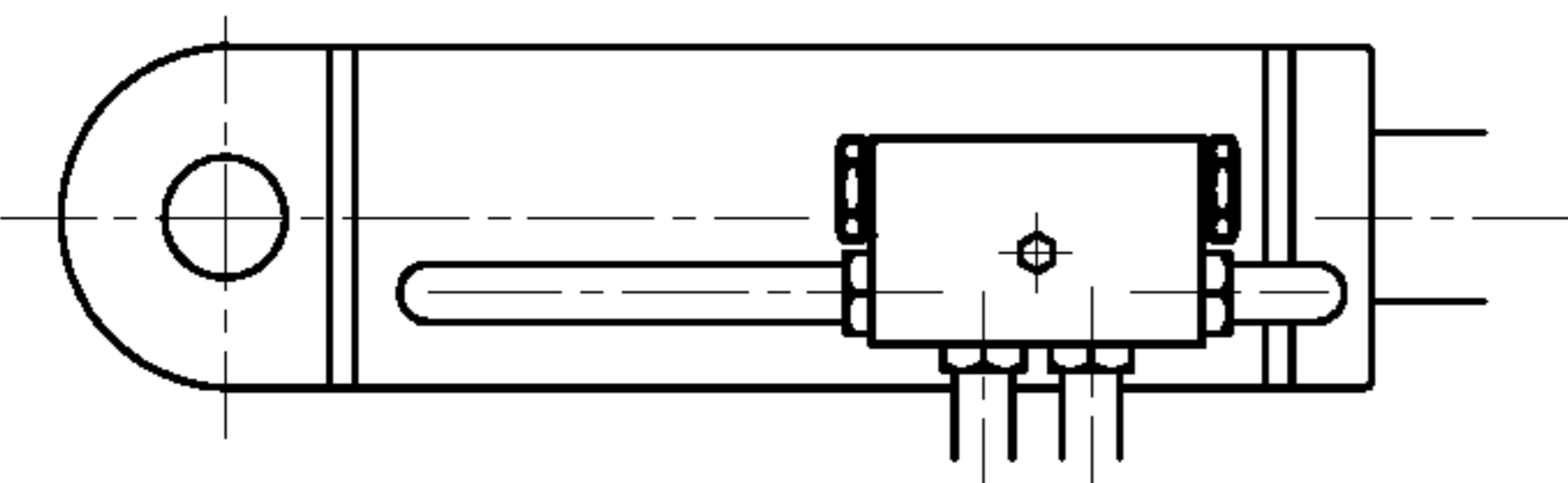
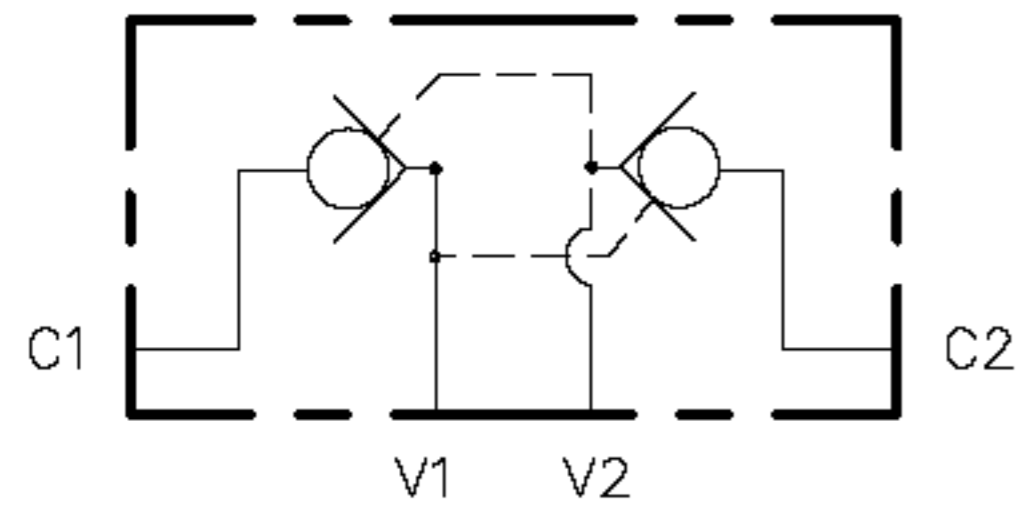
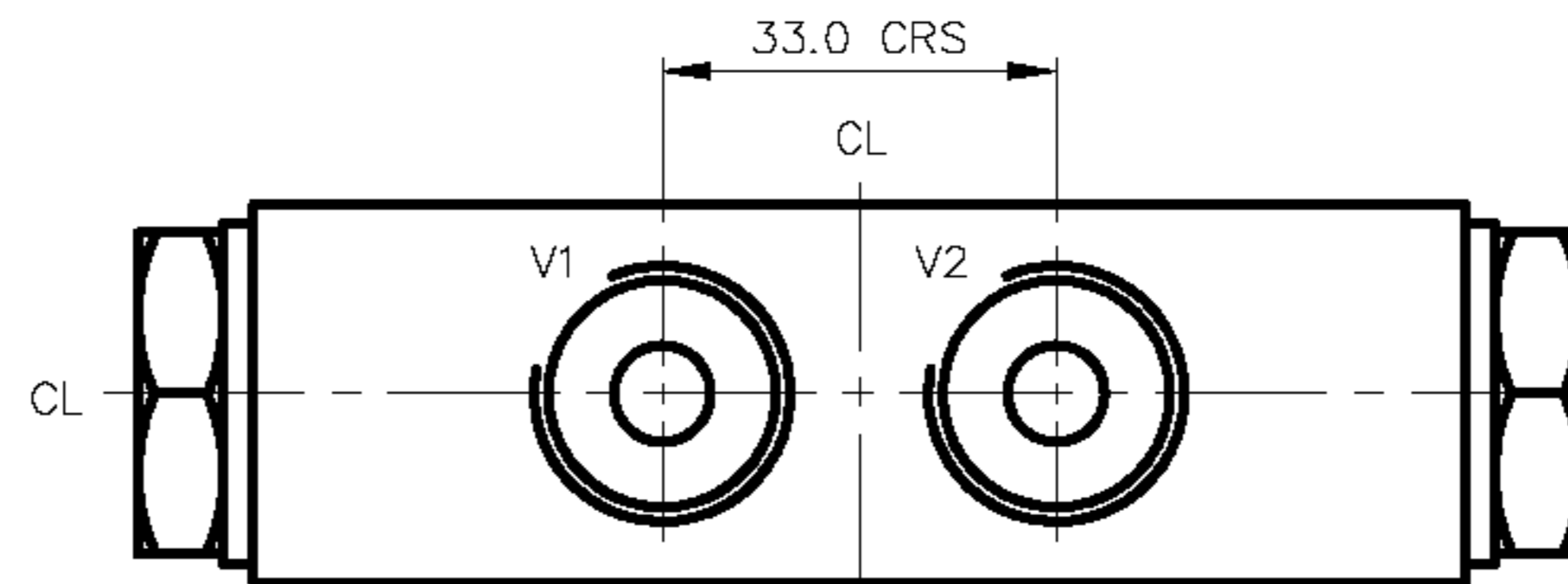
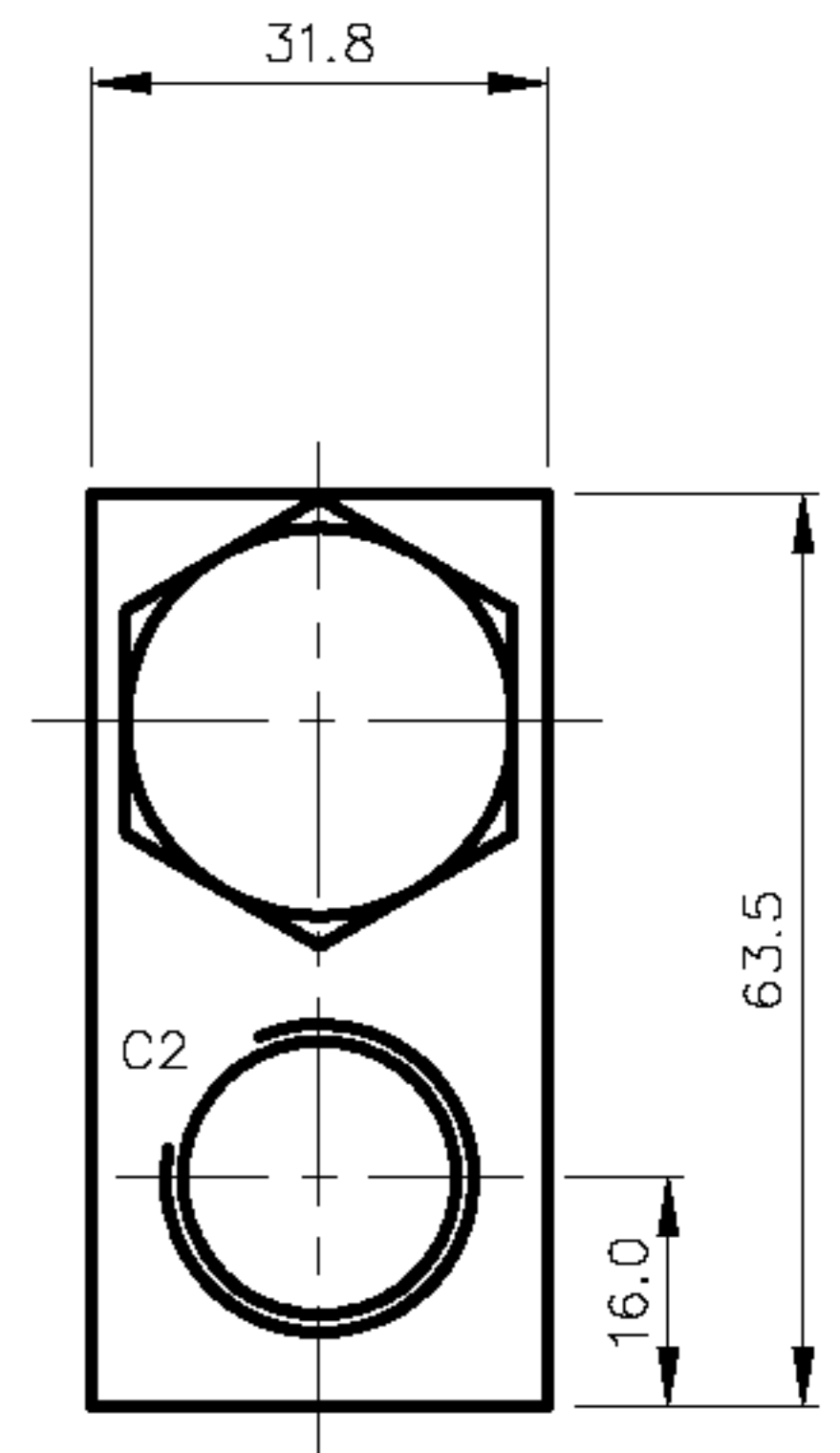
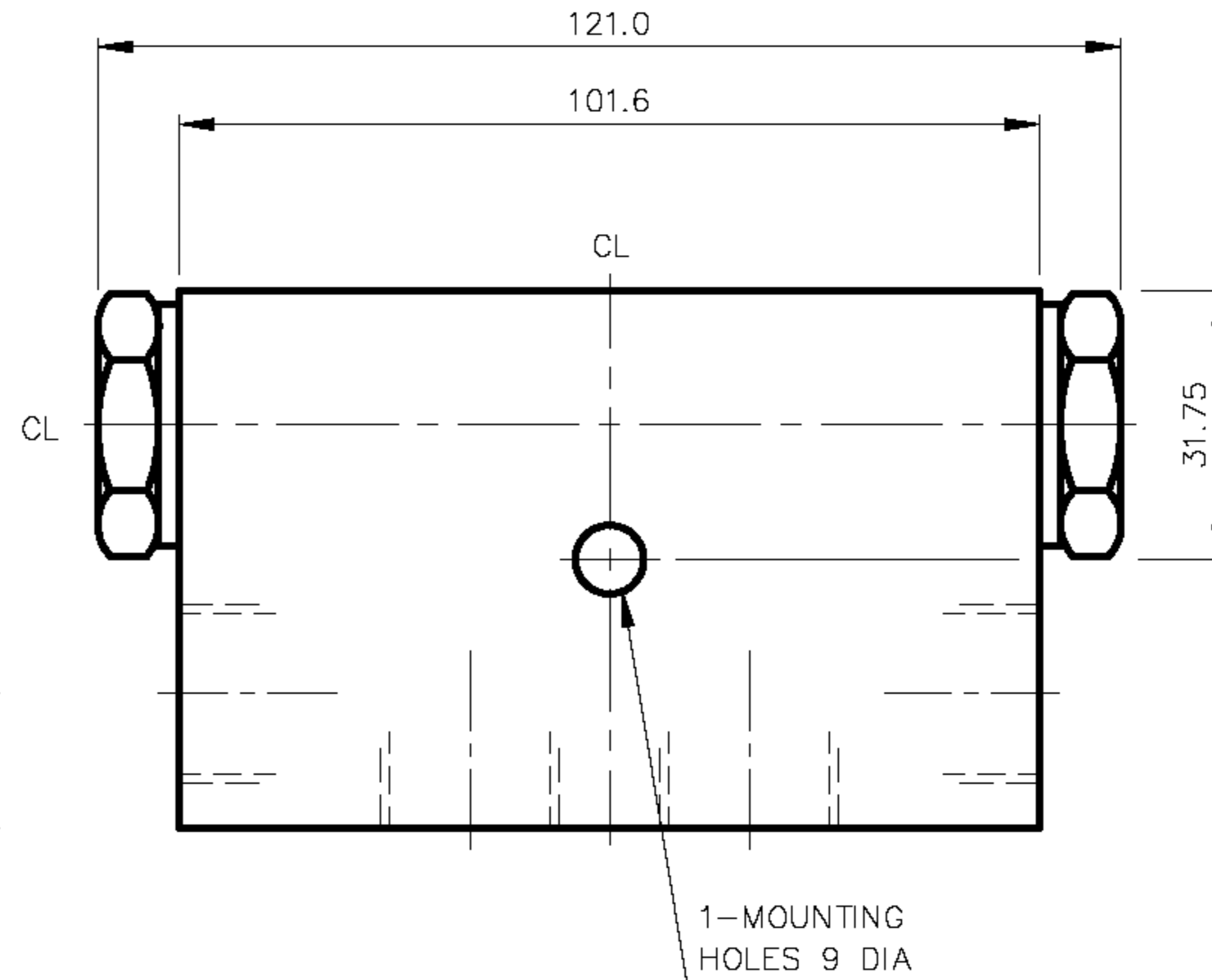
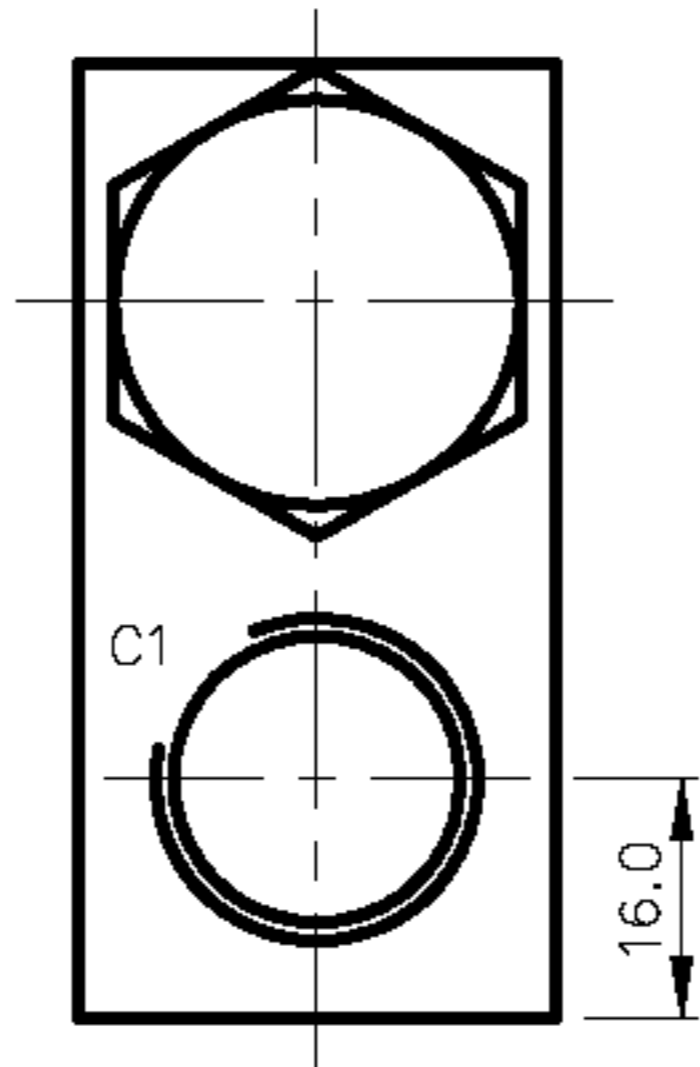
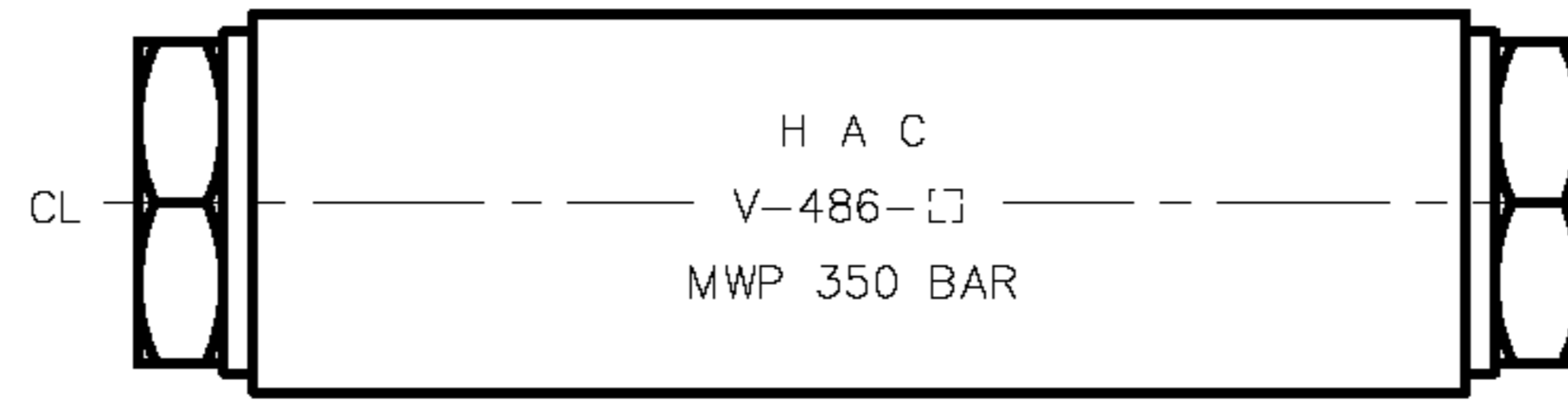
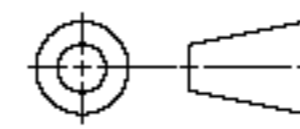


DUAL P.O CHECK VALVE
STANDARD VALVE 3:1 RATIO
EXAMPLE V-486
MAX WORKING PRESSURE 350 BAR

VALVE ORDERING INFORMATION	
TYPE	PORTS
V-486-B	3/8 BSP (PL)
V-486-C	1/2 BSP (PL)
ALL DIMENSIONS IN MM	



FOR WELDABLE TYPE SEE VC-486 WHERE THE CARTRIDGES & PISTON CAN BE EASILY REMOVE TO ALLOW THE BLOCK & PIPES TO BE WELDED INTO POSITION.



VALVE TYPE

DUAL P.O.CHECK VALVE

DATE: 12/07/01

ASSY: 7090

SCALE: 1:1

TITLE INSTALLATION
V-486-□

DRG NO

7091

ISS

A