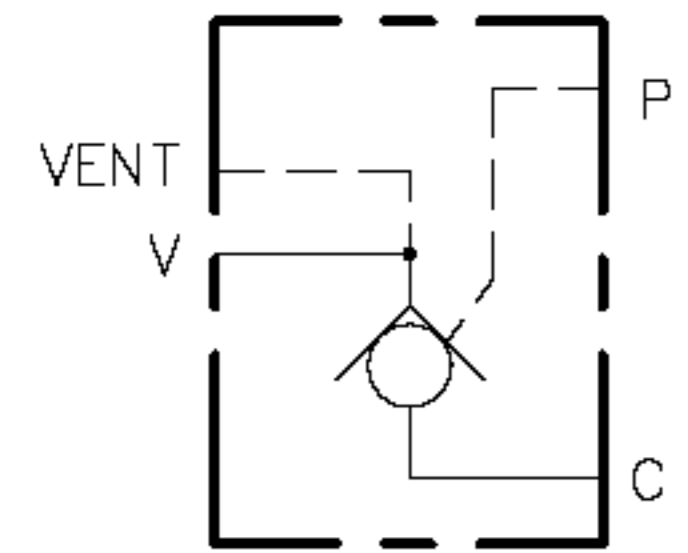
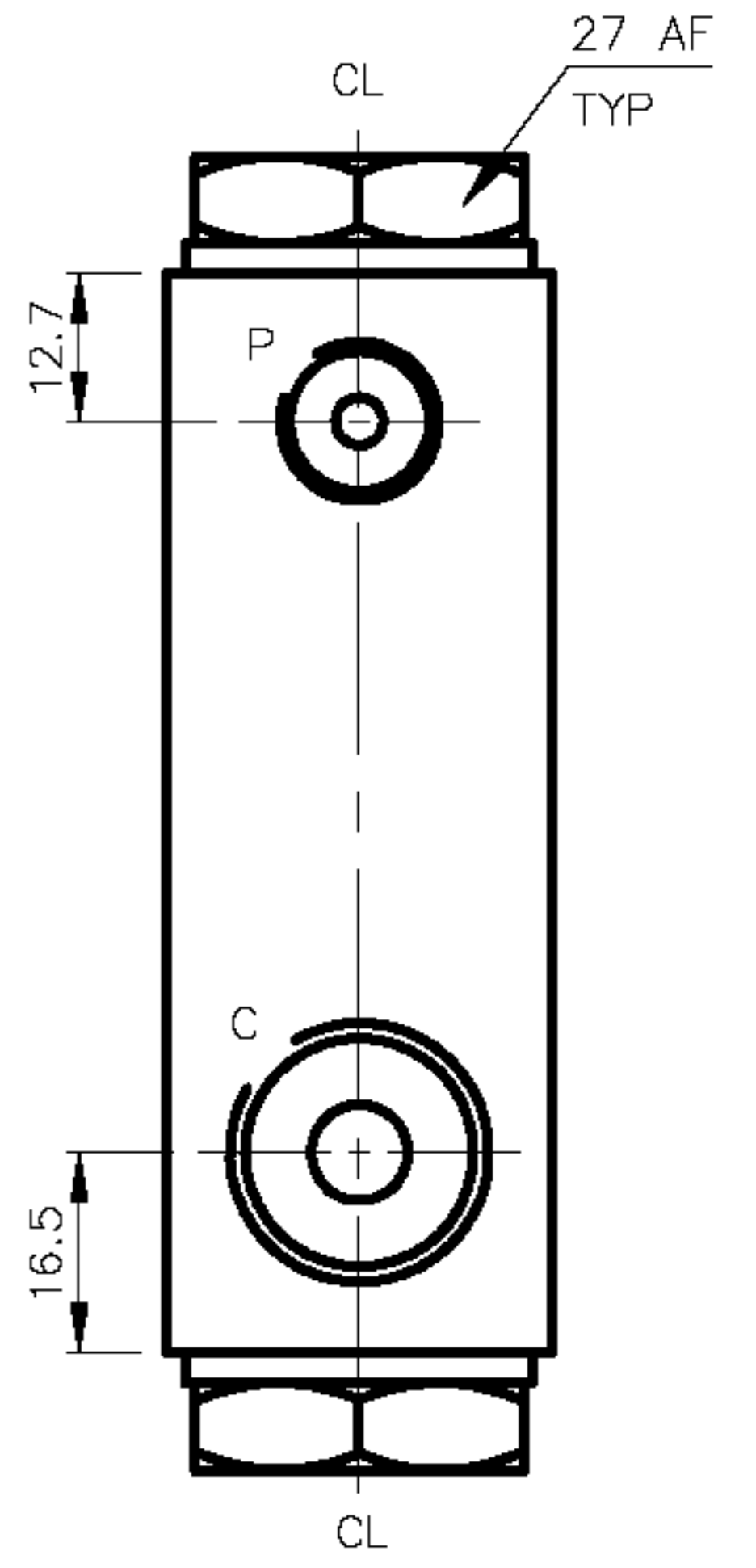
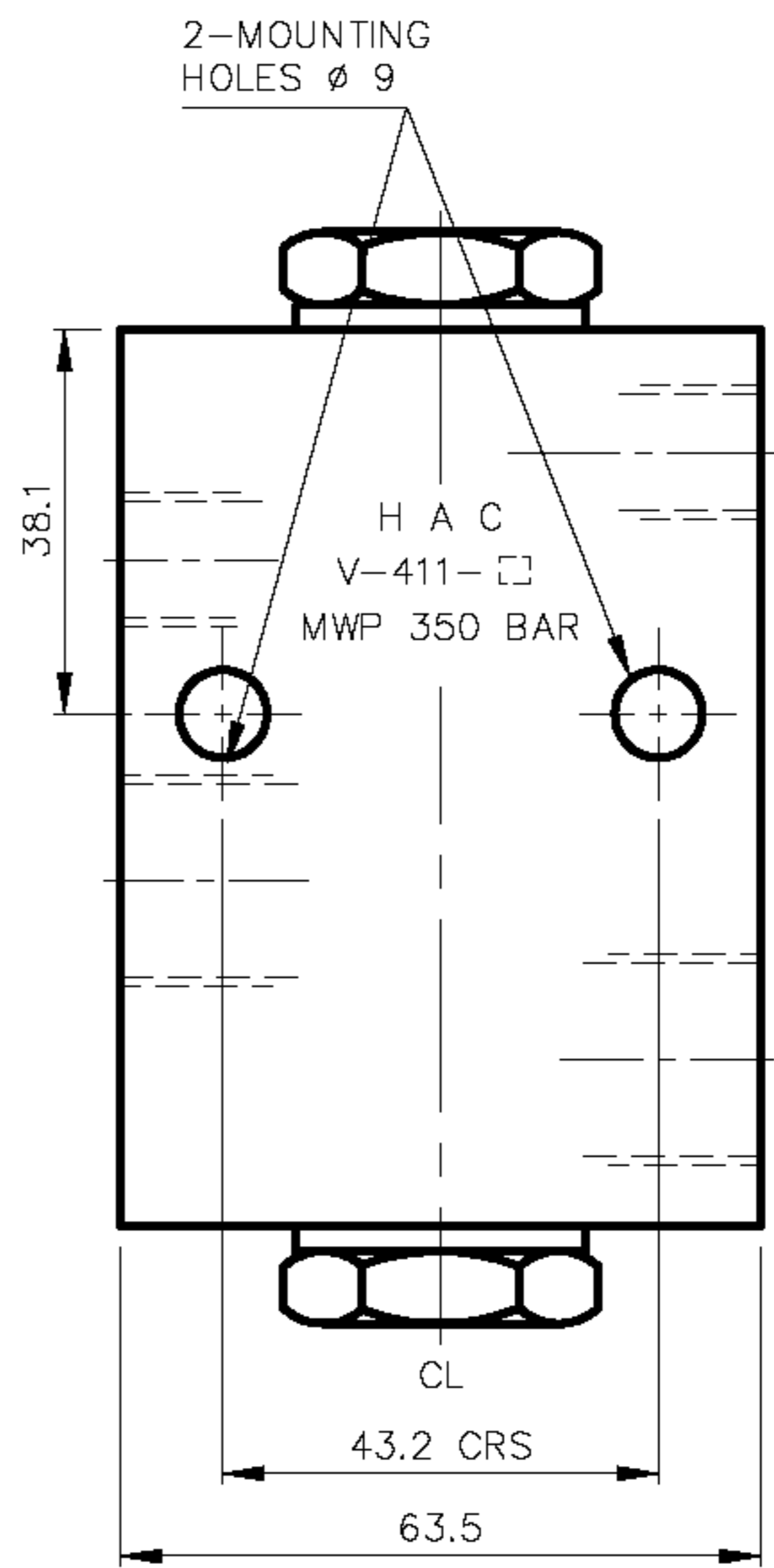
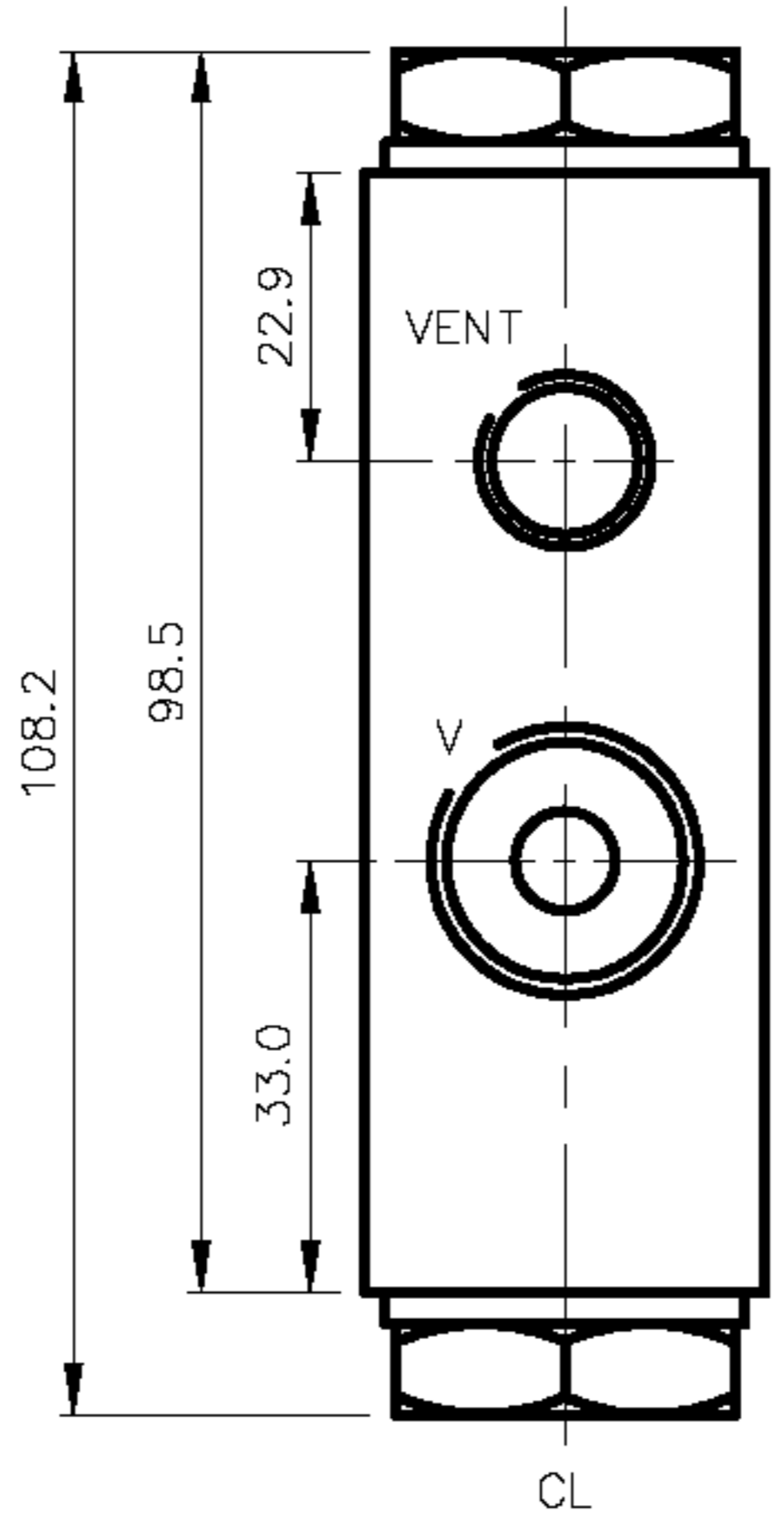
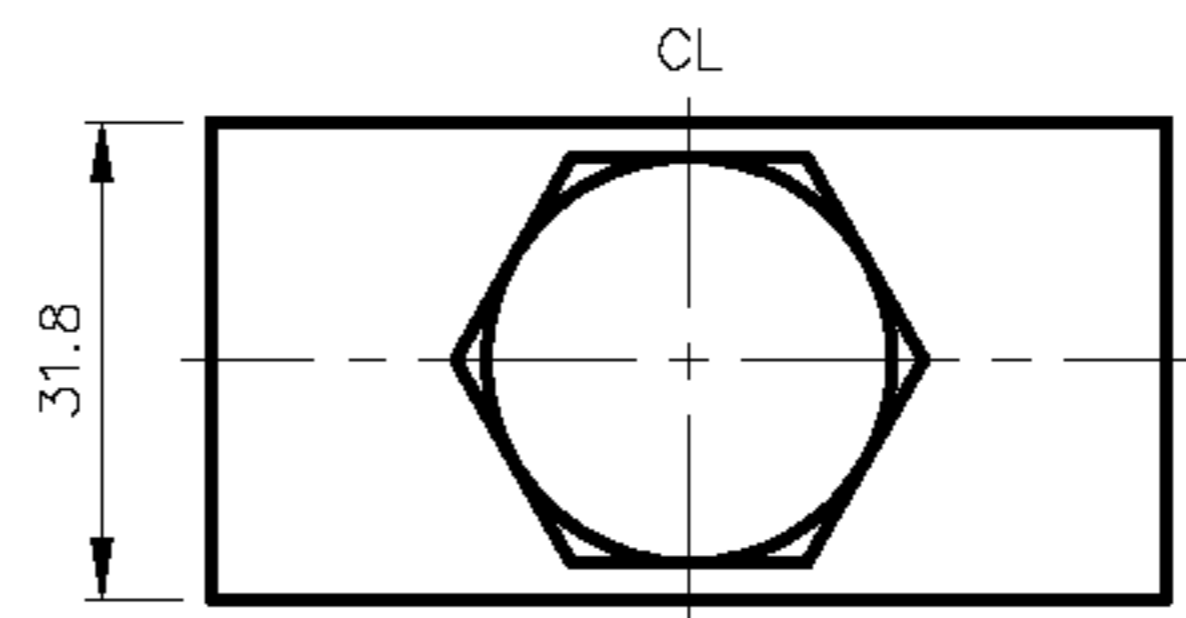


SINGLE P.O.CHECK VALVE-VENTED
 EXAMPLE V-411
MAX WORKING PRESSURE 350 BAR

VALVE ORDERING INFORMATION	
TYPE	PORTS
V-411-A	1/4 BSP (PL)
V-411-B	3/8 BSP (PL)
V-411-C	1/2 BSP (PL)

ALL DIMENSIONS IN MM



VALVE TYPE SINGLE P.O.CHECK VALVE

DATE: 14/04/04
 ASSY: 6775
 SCALE: 1:1

TITLE INSTALLATION
 V-411

DRG NO 6776
 ISS A