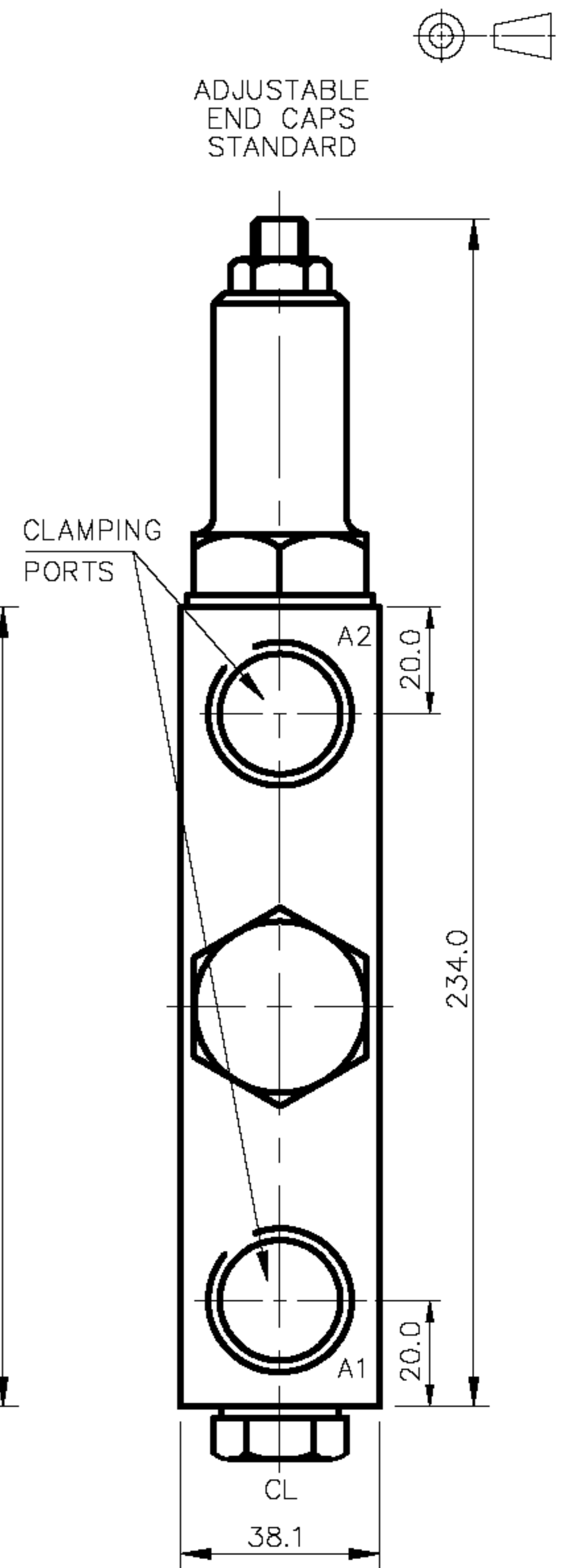
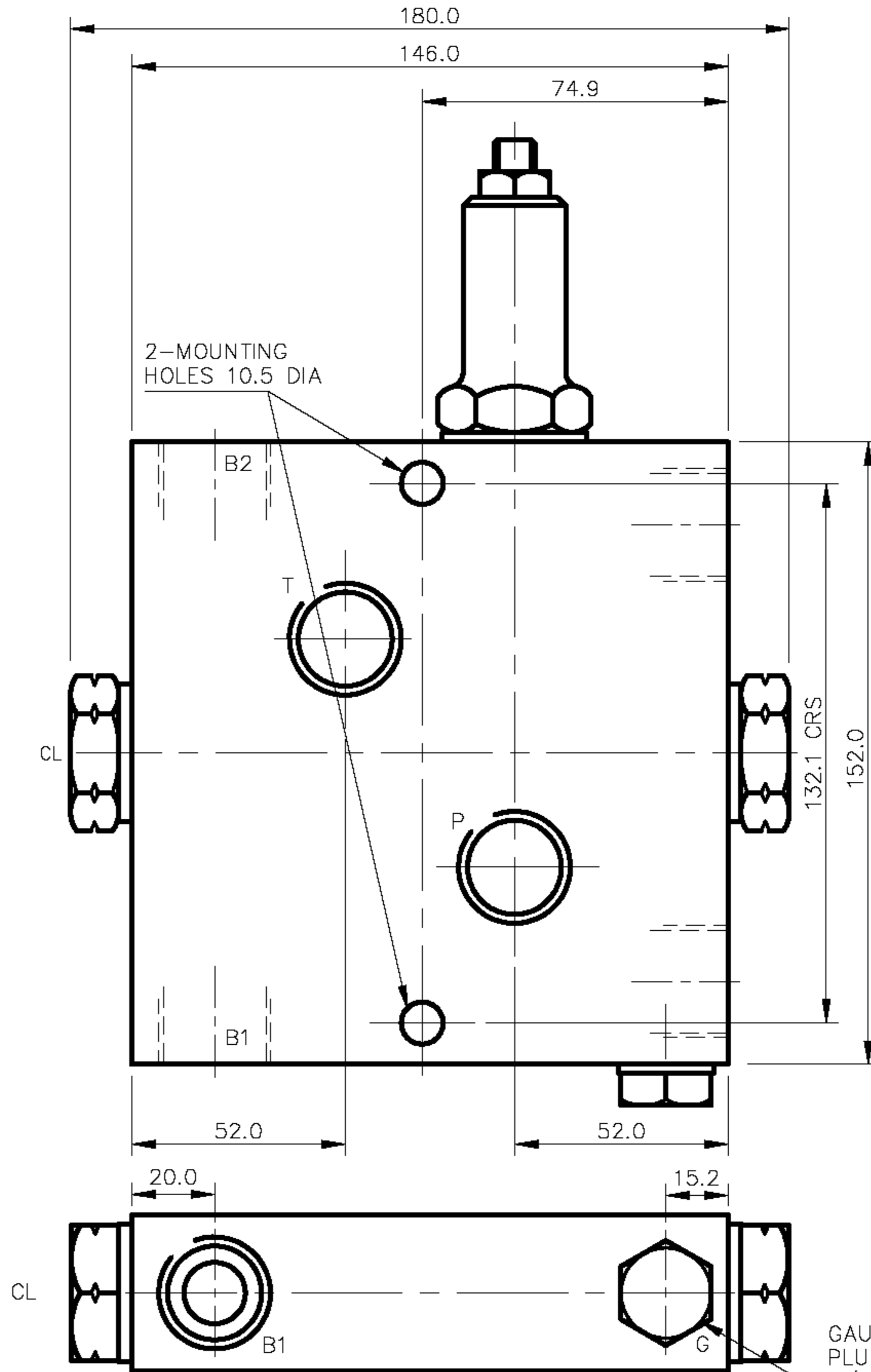
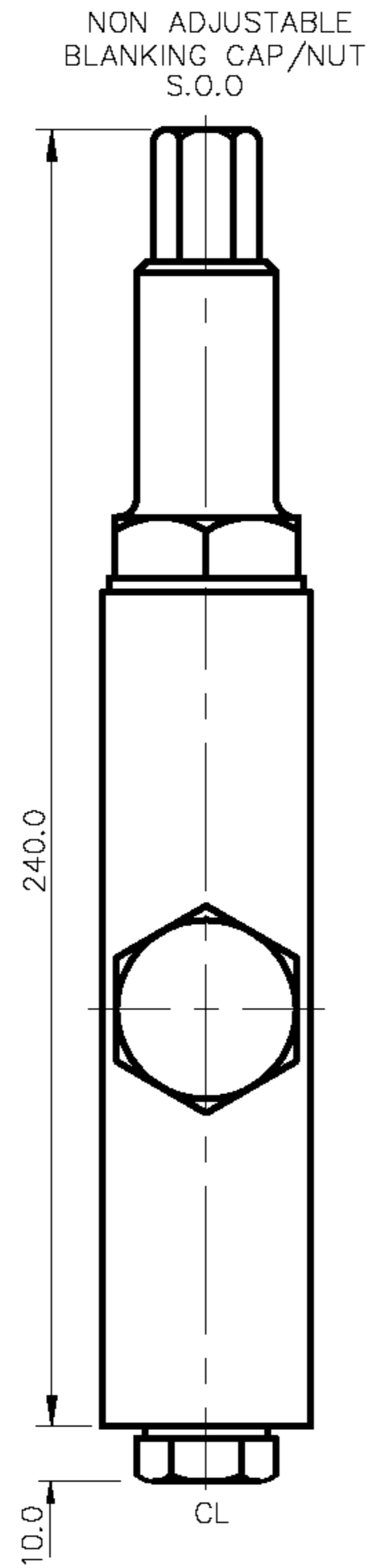
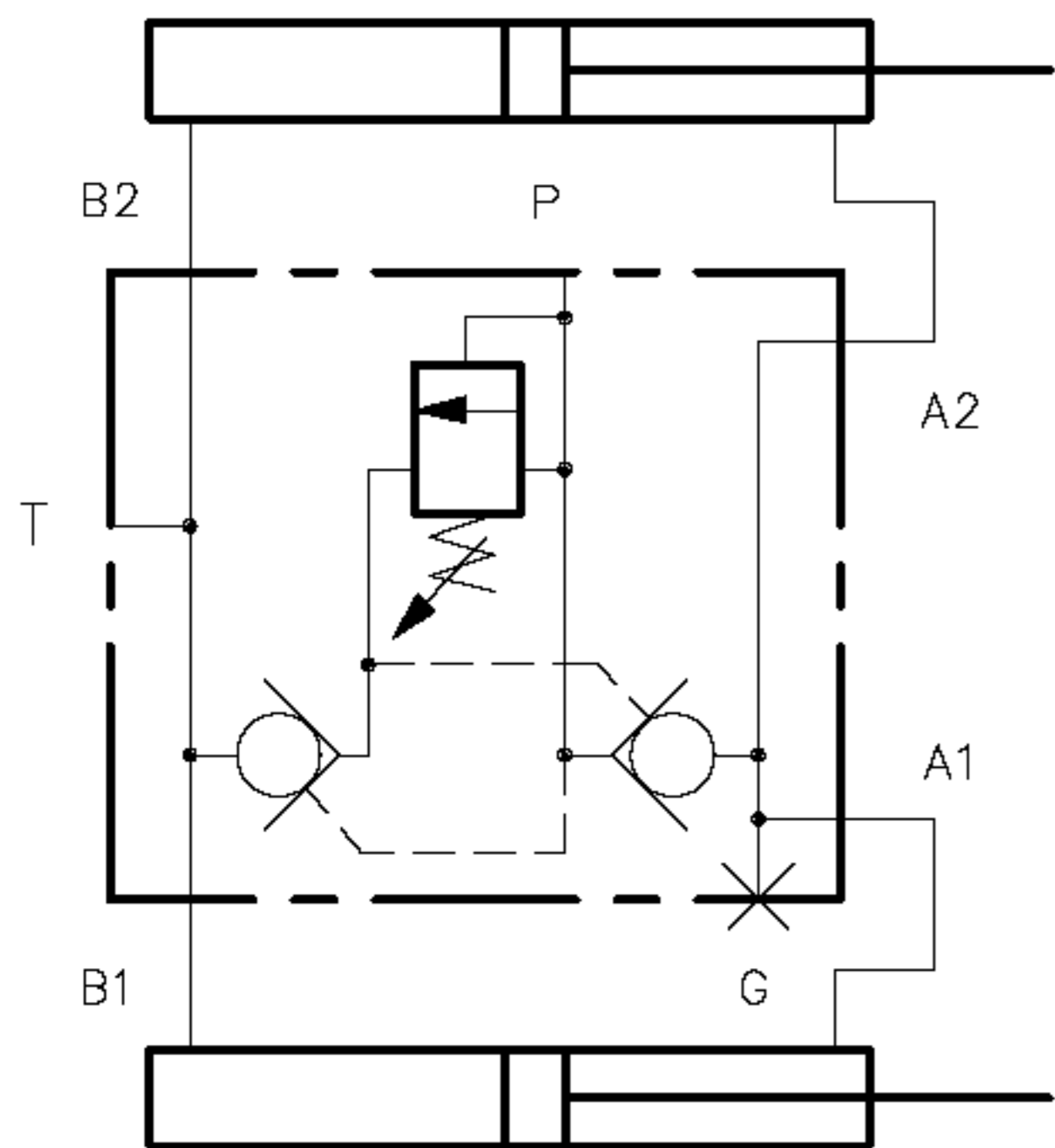


COMBINATION DUAL LOCK RELIEF VALVE	
EXAMPLE V-325-DF200	
MAX WORKING PRESSURE 275 BAR	

VALVE ORDERING INFORMATION	
TYPE	PORTS
V-325-DF200	3/4 BSP (PL)
ALL DIMENSIONS IN MM	



GAUGE PORT
PLUGGED
3/8 BSP



VALVE TYPE

COMBINATION VALVE
DUAL P.O.CHECK & CROSS LINE RELIEF VALVE

DATE: 22/08/00
ASSY: 9135
SCALE: N.T.S

TITLE
INSTALLATION
V-325-DF200

DRG NO
9136
ISS
A