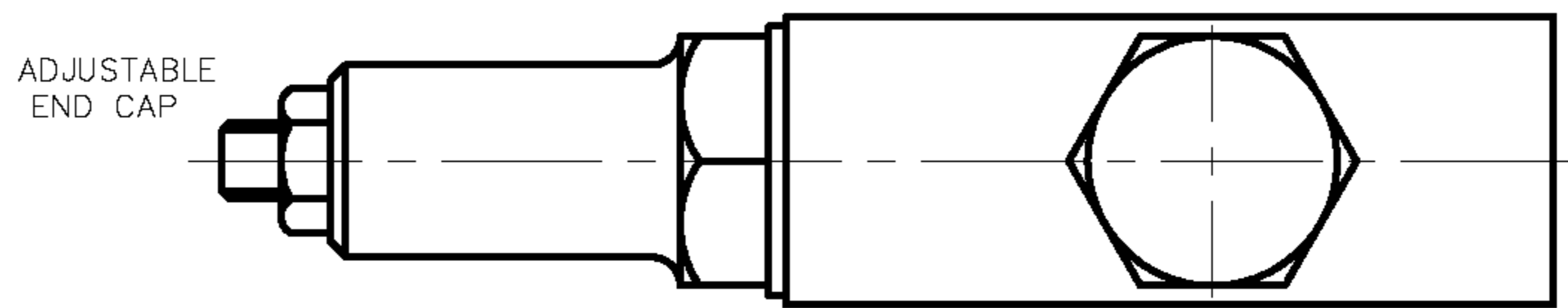
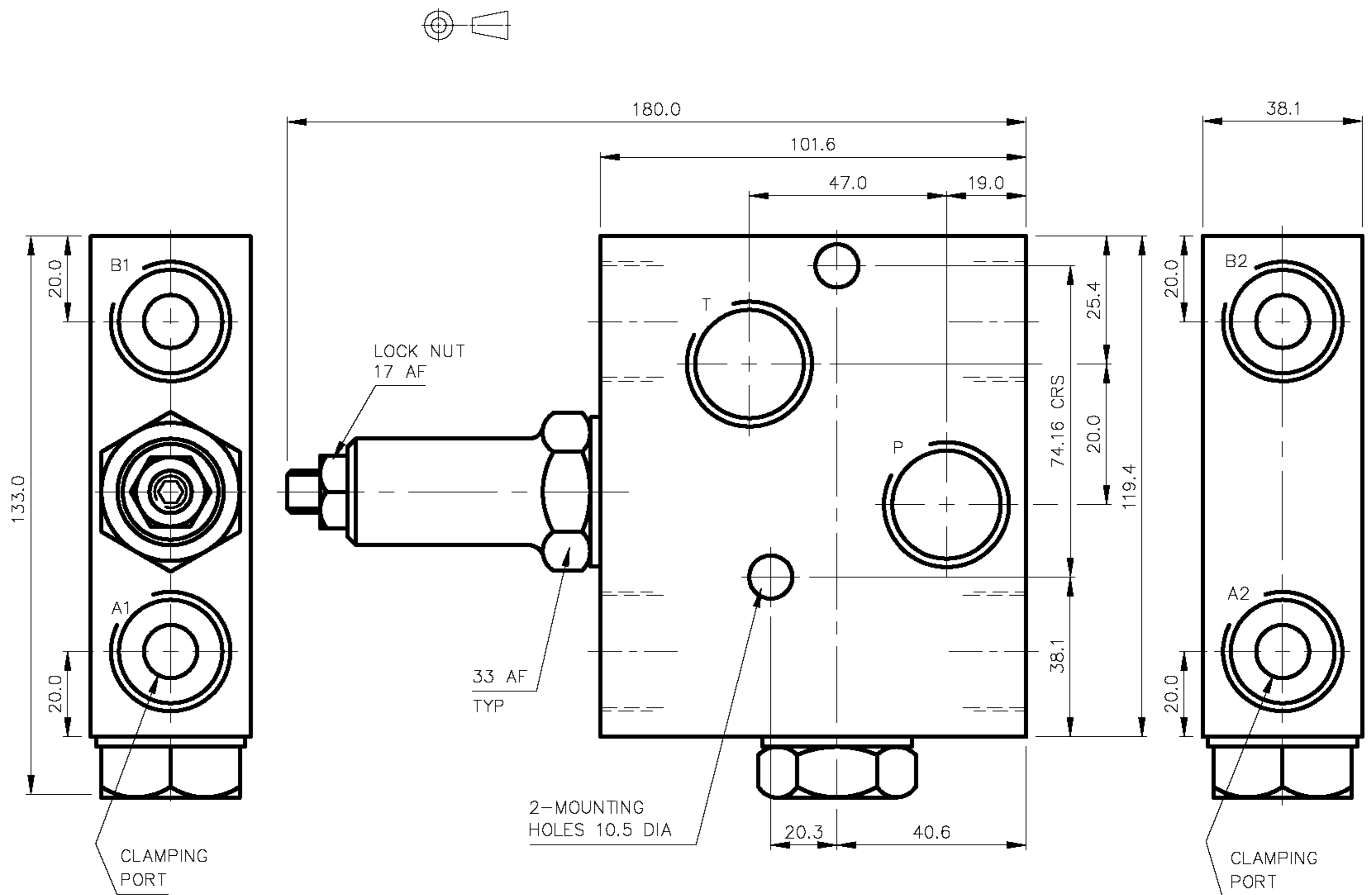
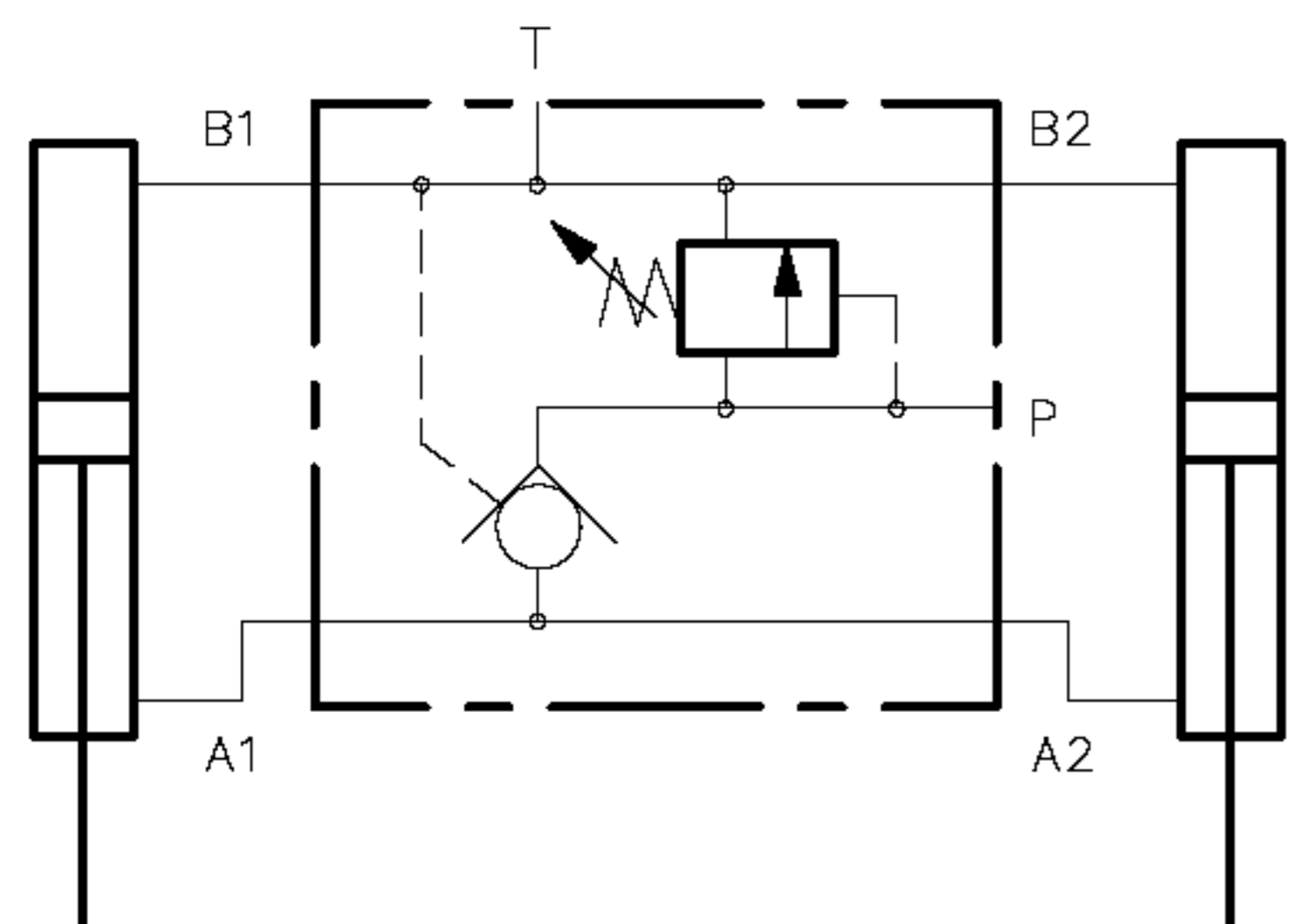


**COMBINATION LOCK RELIEF VALVE**  
 EXAMPLE V-305-D200  
**MAX WORKING PRESSURE 275 BAR**

**VALVE ORDERING INFORMATION**

TYPE	PORTS
V-305-D200	3/4 BSP (PL)

**ALL DIMENSIONS IN MM**



**VALVE TYPE**  
 COMBINATION VALVE  
 SINGLE P.O.CHECK & CROSS LINE RELIEF VALVE

**DATE:** 05/09/01  
**DRN:** 8720  
**SCALE:** 0.9:1

**TITLE**  
 INSTALLATION  
 V-305-D200

**DRG NO**  
 8721  
**ISS**  
 A