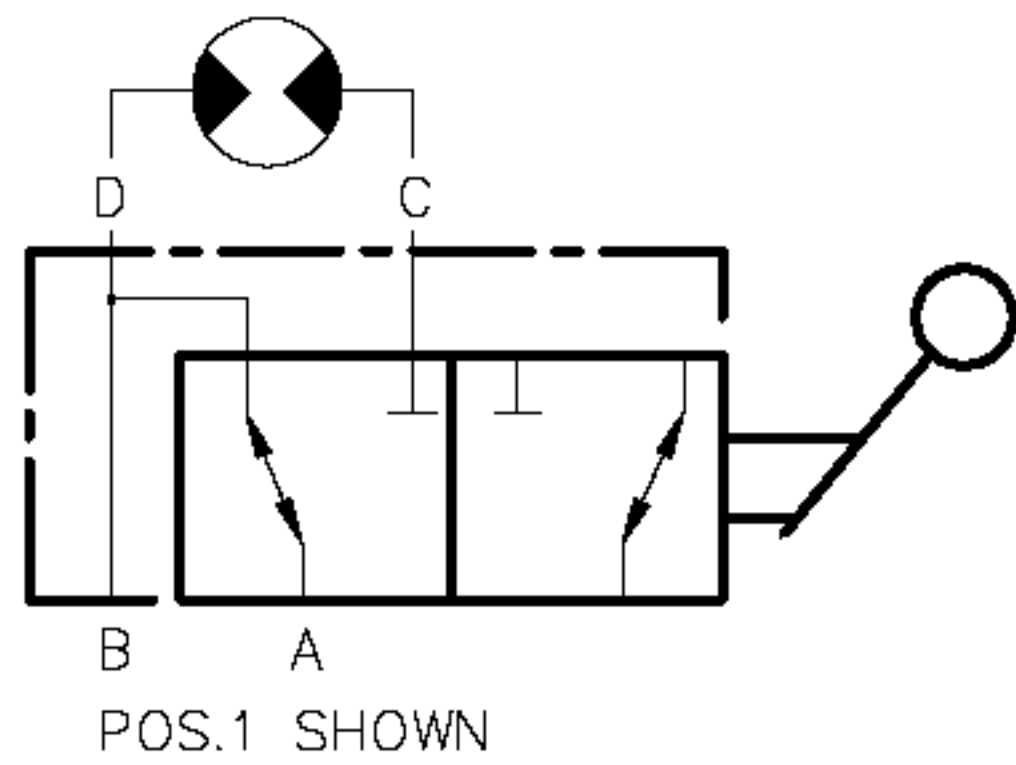


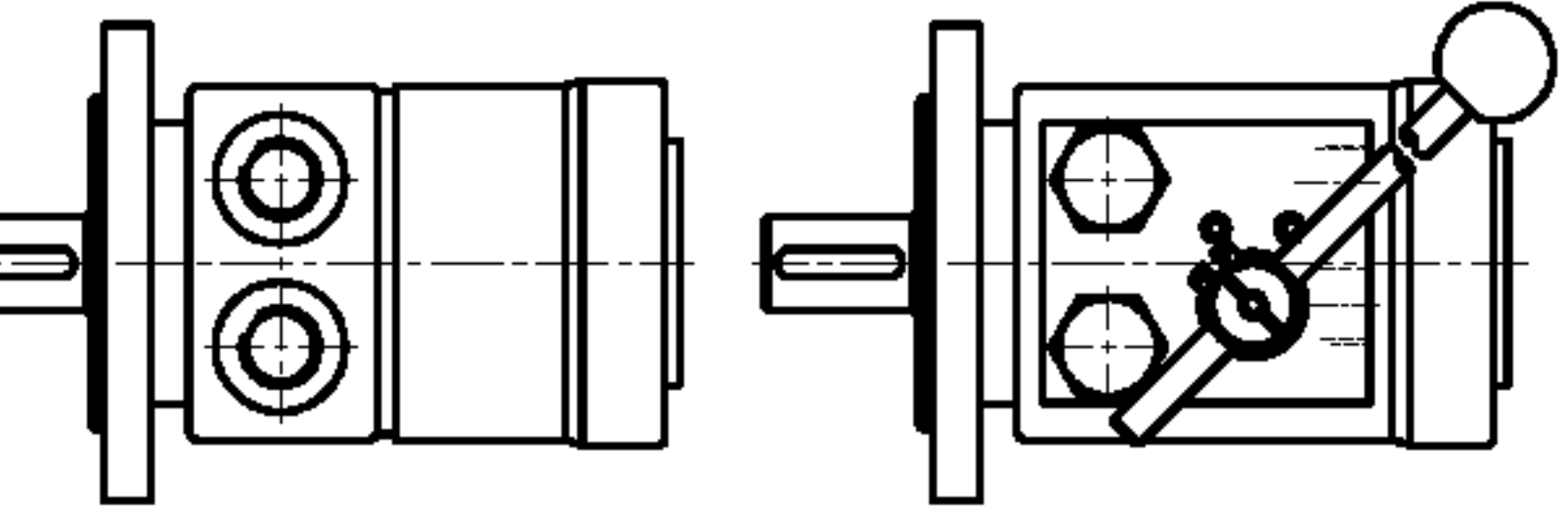
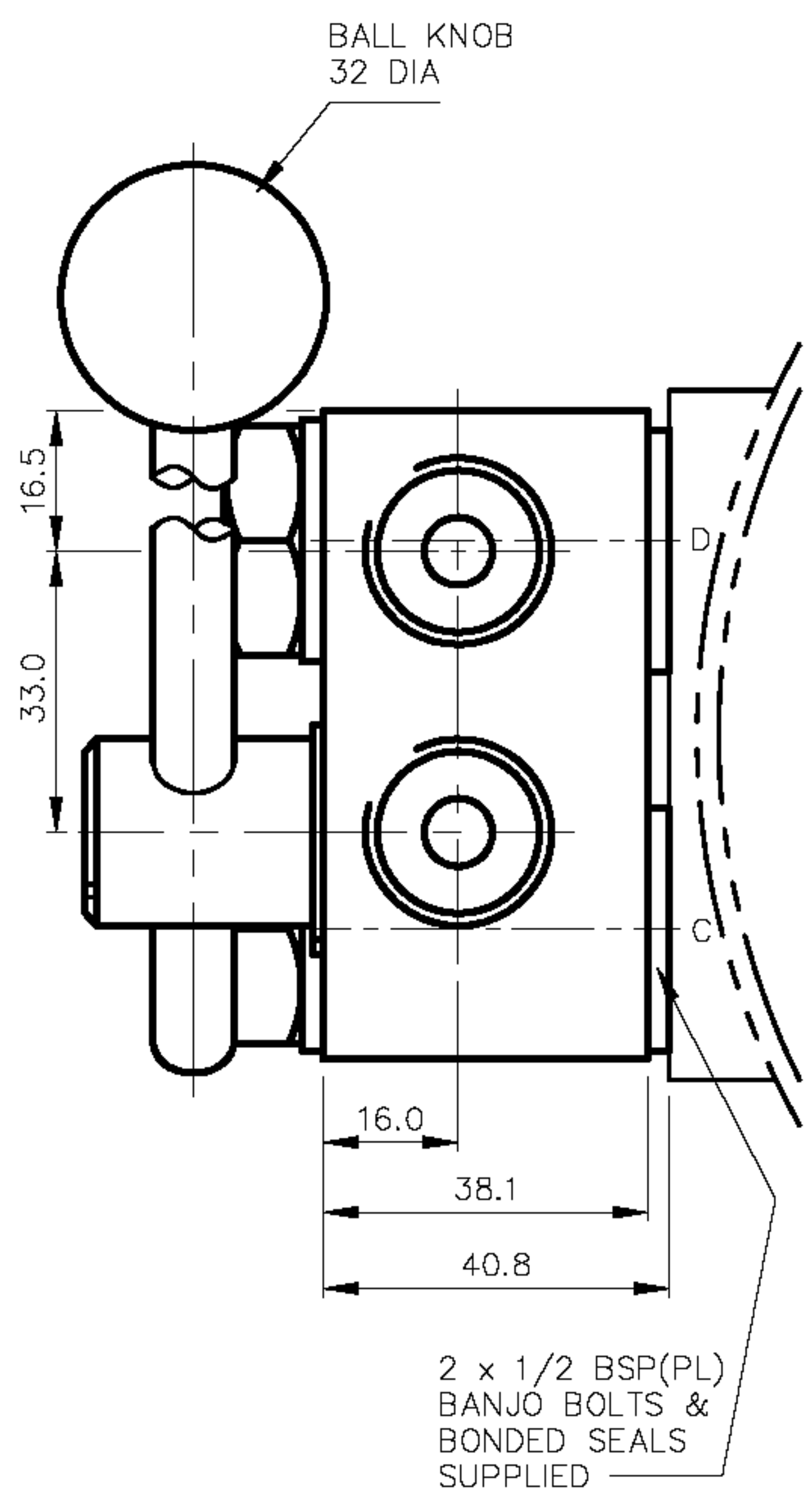
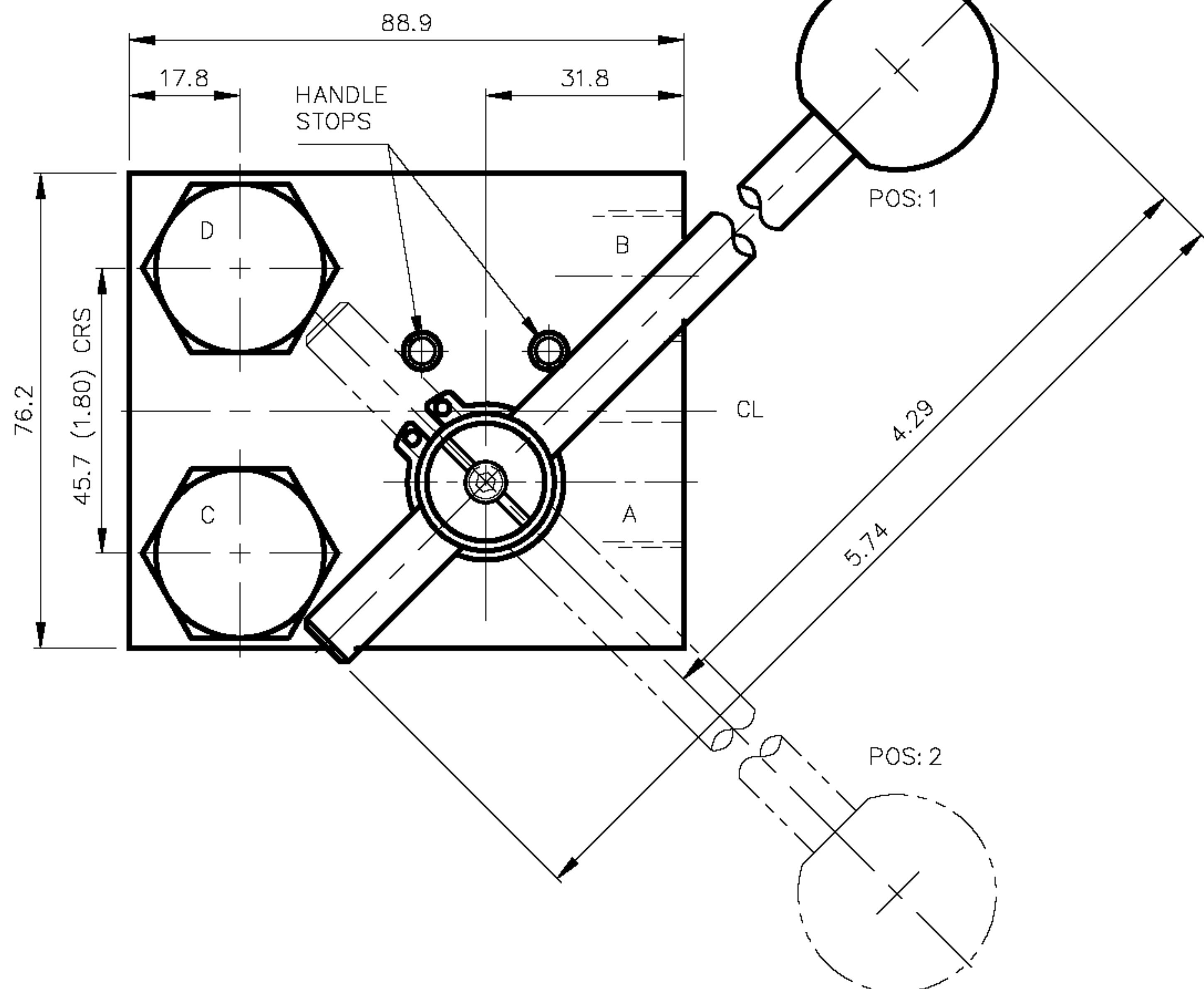
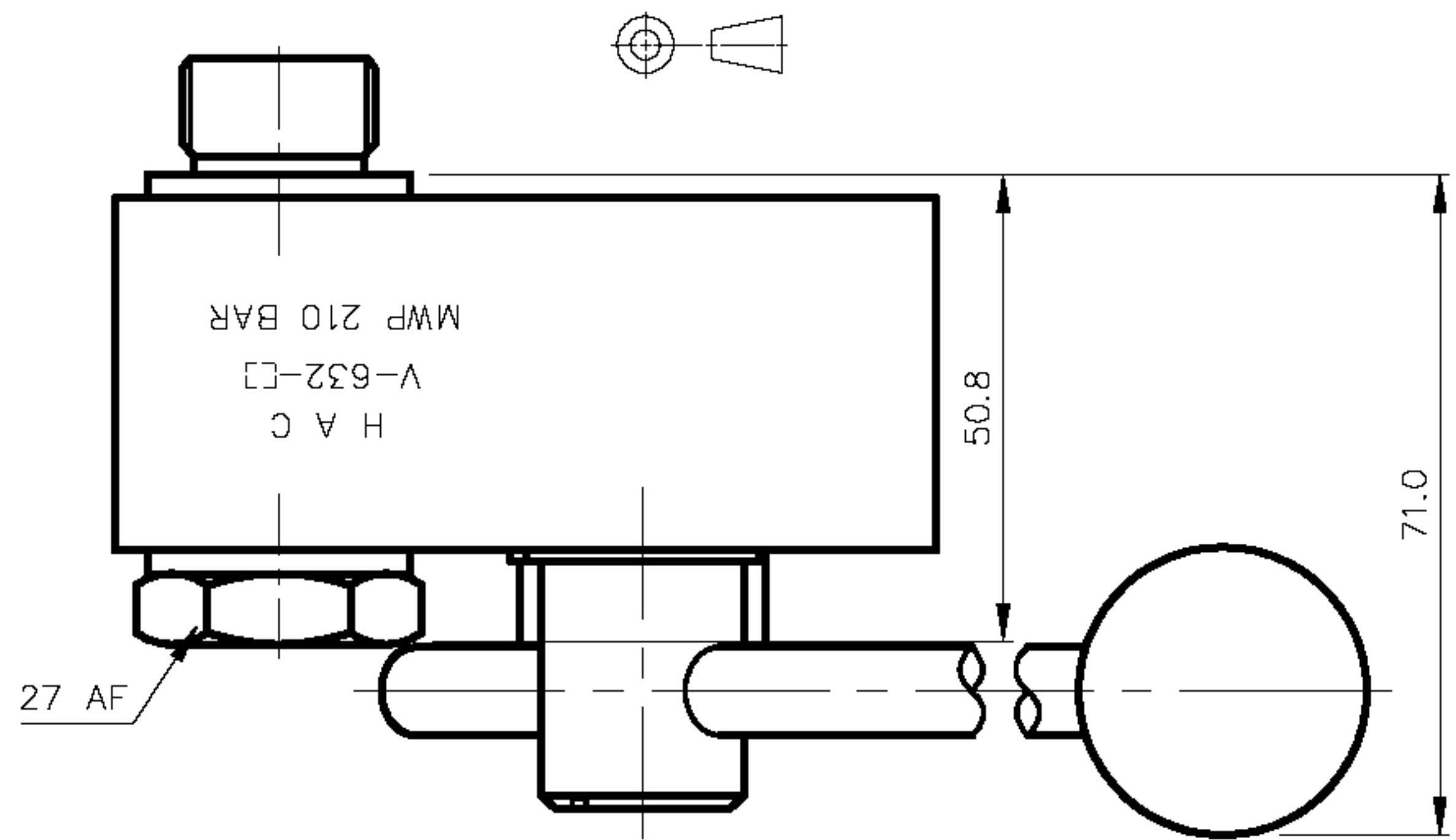
MOTOR ROTARY DIVERTER CUT OFF VALVE
 EXAMPLE V-632-□
MAX WORKING PRESSURE 210 BAR



VALVE ORDERING INFORMATION

TYPE	PORTS
V-632-A	1/4 BSP (PL)
V-632-B	3/8 BSP (PL)
V-632-C	1/2 BSP (PL)

ALL DIMENSIONS IN MM



TO FIT THE FOLLOWING MOTORS

CHAR-LYNN EATON H & S TYPE
 PARKER HANNIFIN TE & TF TYPE



TYPE MOTOR ROTARY DIVERTER CUT OFF VALVE
 BANJO MOUNTED

DATE: 14/11/03
 ASSY: 6720 CAT
 SCALE: 1:1

TITLE INSTALLATION
 V-632

DRG NO
 6721

ISS
 A