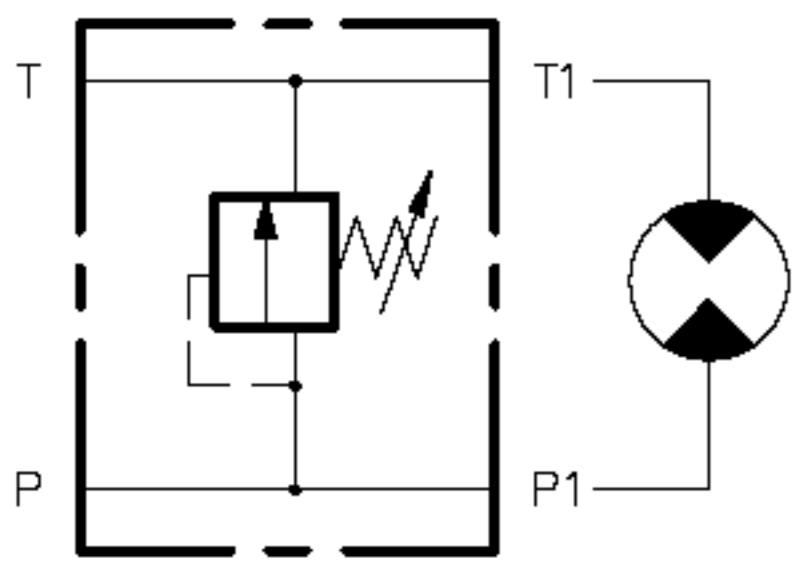
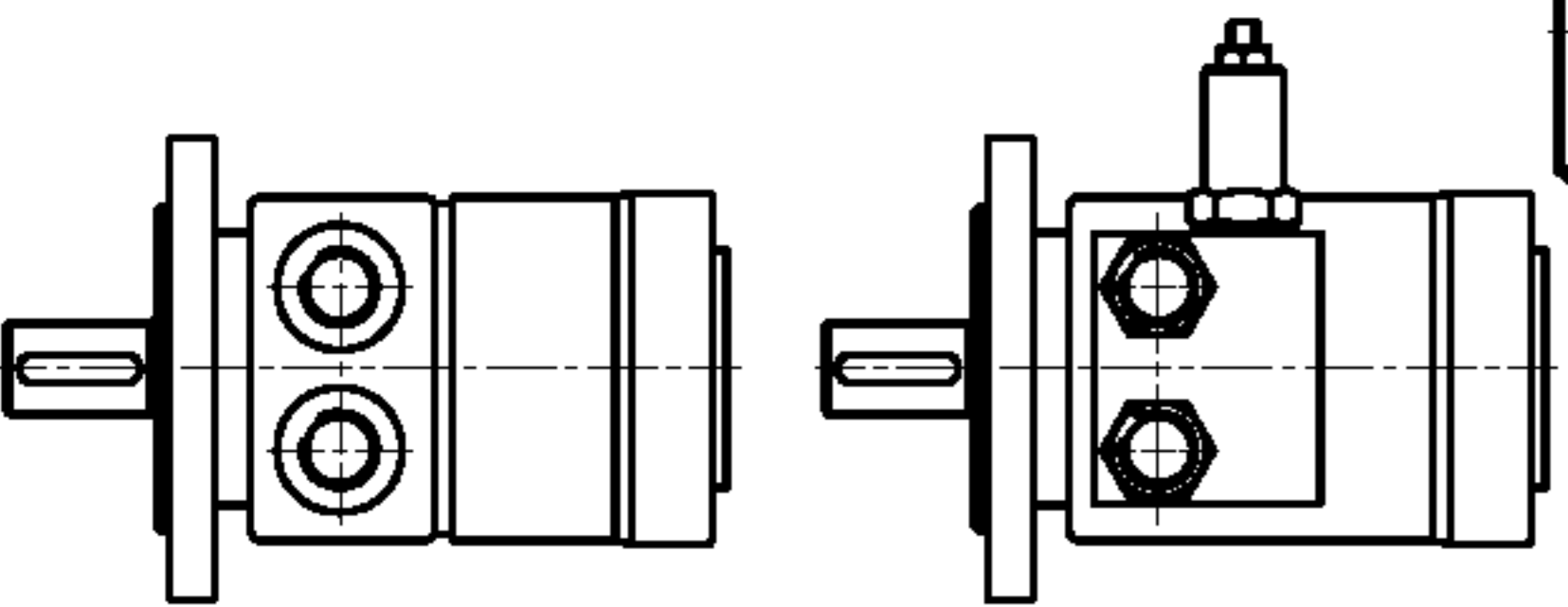


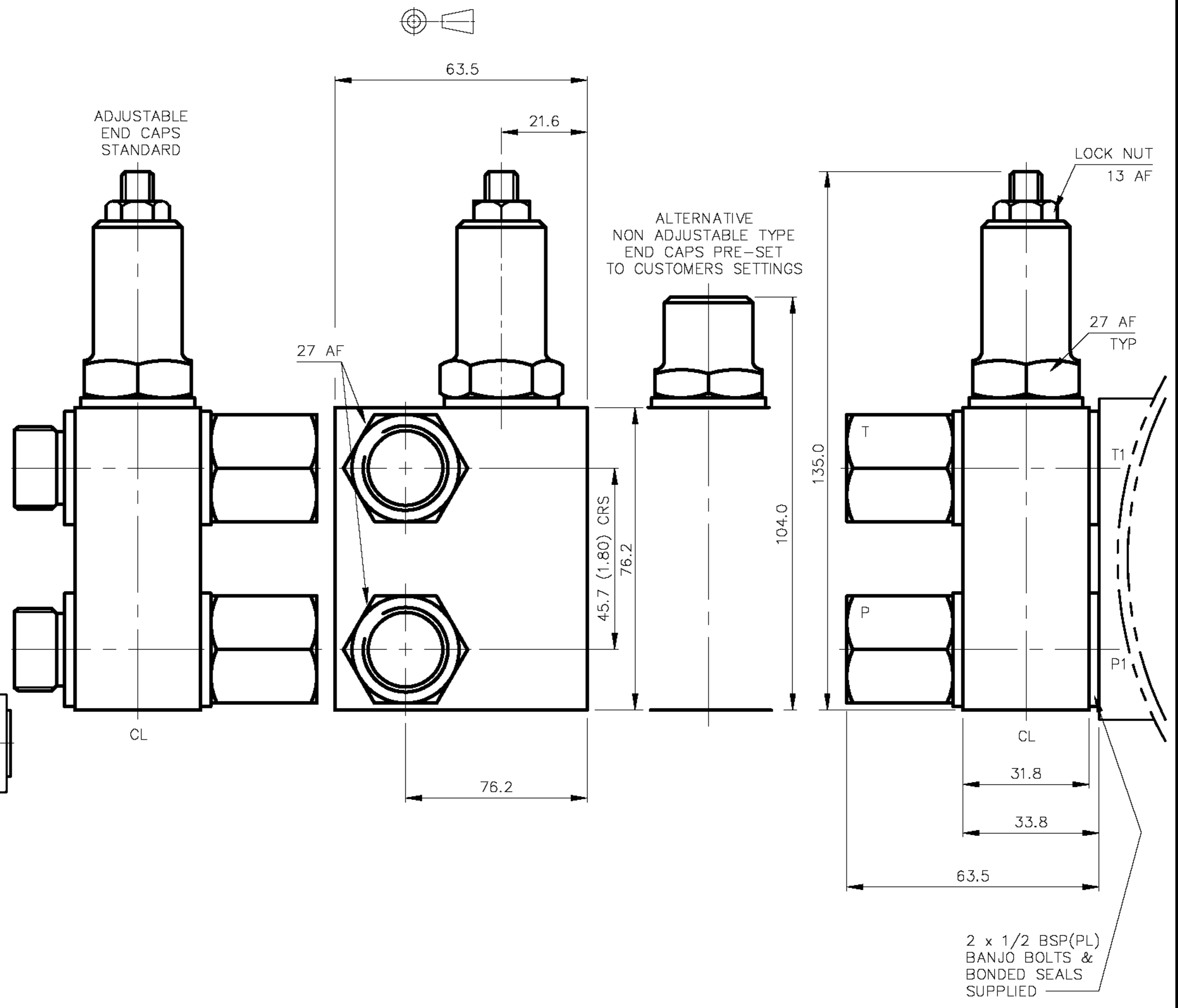
| |
|---|
| MOTOR SINGLE RELIEF VALVE |
| EXAMPLE V-627-C |
| RELIEF PRESSURE RANGE AVAILABLE 0-240 BAR |
| RELIEF PRESSURE RANGE AVAILABLE 0-138 BAR |
| RELIEF PRESSURE RANGE AVAILABLE 0-55 BAR |
| MAX WORKING PRESSURE 350 BAR |



| | |
|-----------------------------------|--------------|
| VALVE ORDERING INFORMATION | |
| TYPE | PORTS |
| V-627-C | 1/2 BSP (PL) |
| ALL DIMENSIONS IN MM | |



| |
|------------------------------------|
| TO FIT THE FOLLOWING MOTORS |
| CHAR-LYNN EATON H & S TYPE |
| PARKER HANNIFIN TE & TF TYPE |



VALVE TYPE

MOTOR SINGLE RELIEF VALVE
BANJO MOUNTED

DATE: 24/11/03
ASSY: 7180 CAT
SCALE: 1:1

TITLE INSTALLATION
V-627

DRG NO
7181

ISS
A