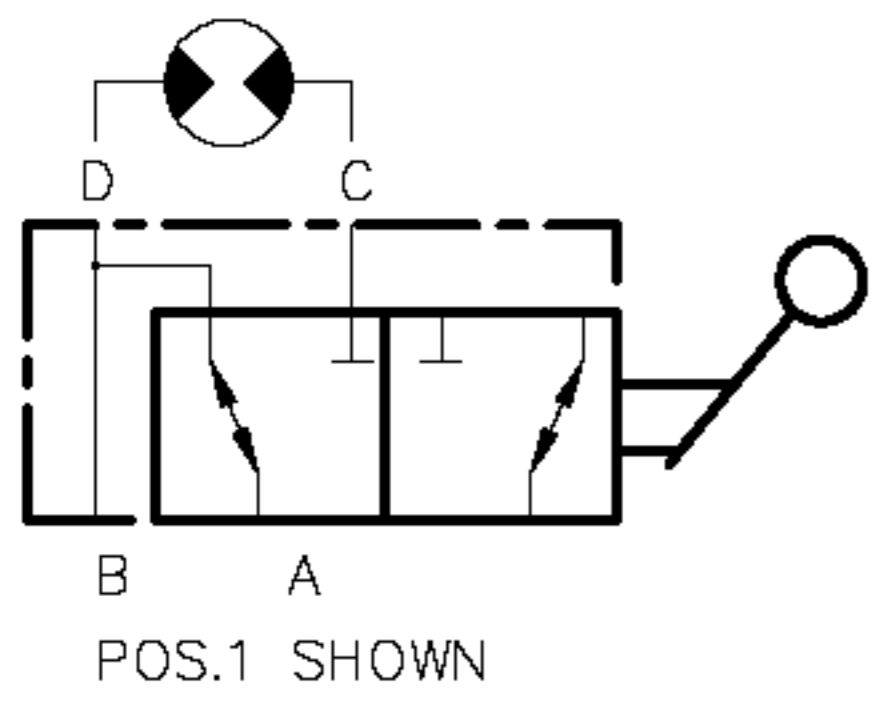


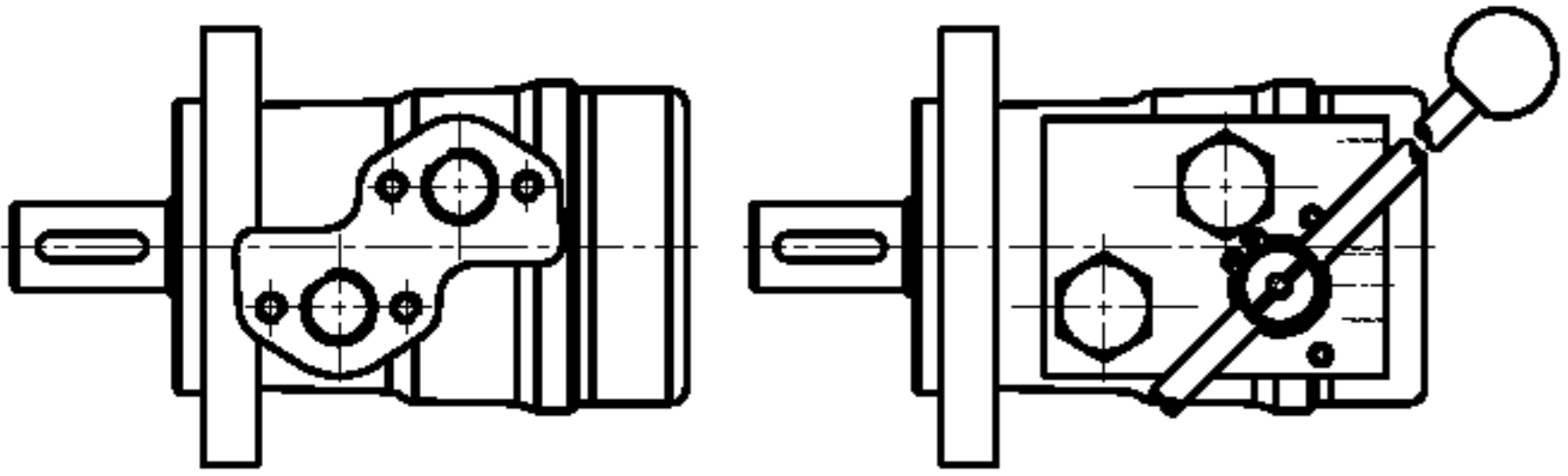
**MOTOR ROTARY DIVERTER CUT OFF VALVE**  
 EXAMPLE V-626-□  
**MAX WORKING PRESSURE 210 BAR**



**VALVE ORDERING INFORMATION**

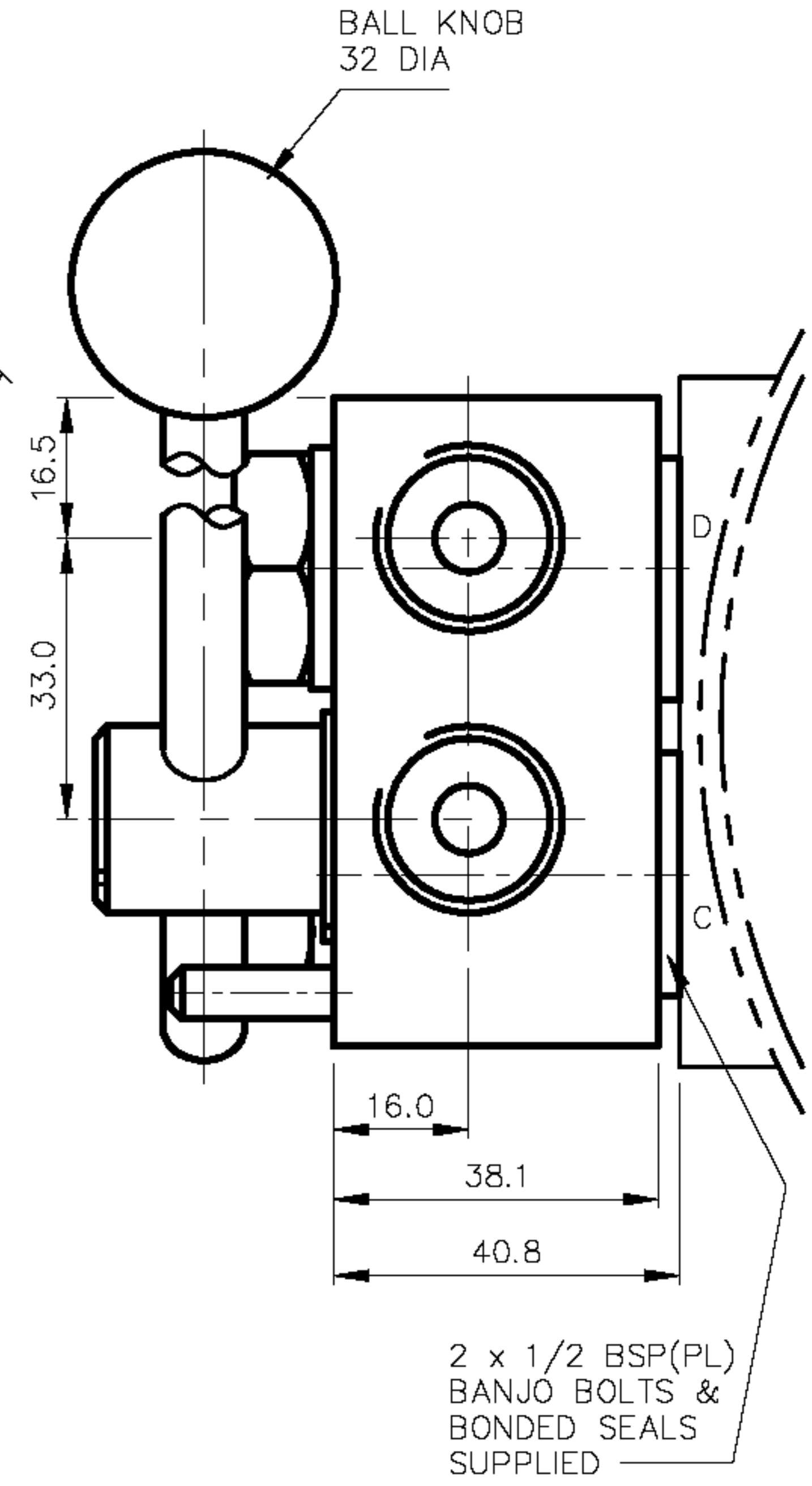
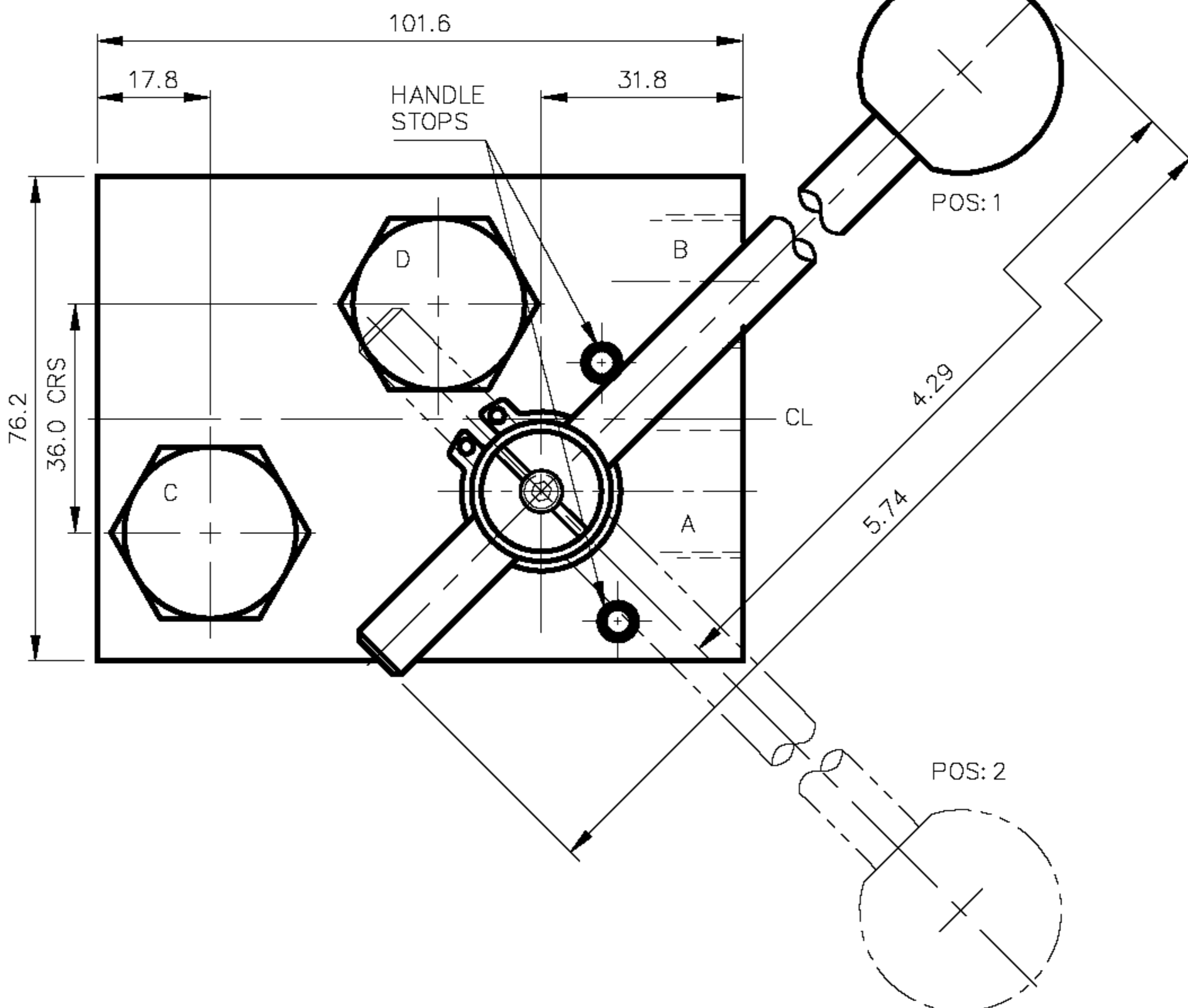
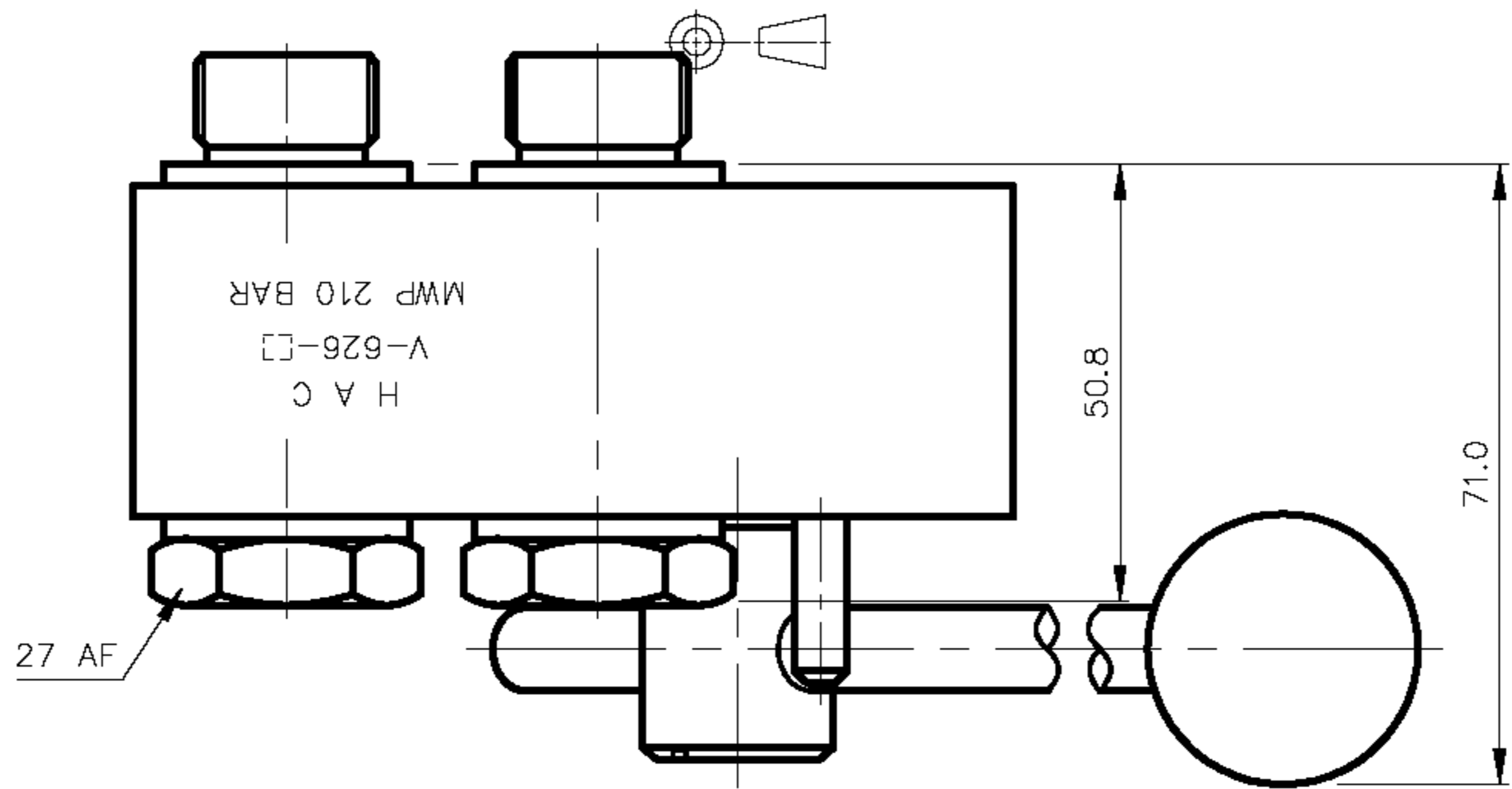
TYPE	PORTS
V-626-B	3/8 BSP (PL)
V-626-C	1/2 BSP (PL)

**ALL DIMENSIONS IN MM**



**TO FIT THE FOLLOWING MOTORS**

ADAN AVMP & AWMR TYPE
SAUER DANFOSS OMP & OMR TYPE
WHITE HYDRAULICS MP & MR



**TYPE** MOTOR ROTARY DIVERTER CUT OFF VALVE  
 BANJO MOUNTED

**DATE:** 14/11/03  
**ASSY:** 7155 CAT  
**SCALE:** 1:1

**TITLE** INSTALLATION  
 V-626

**DRG NO**  
 7156A

**ISS**