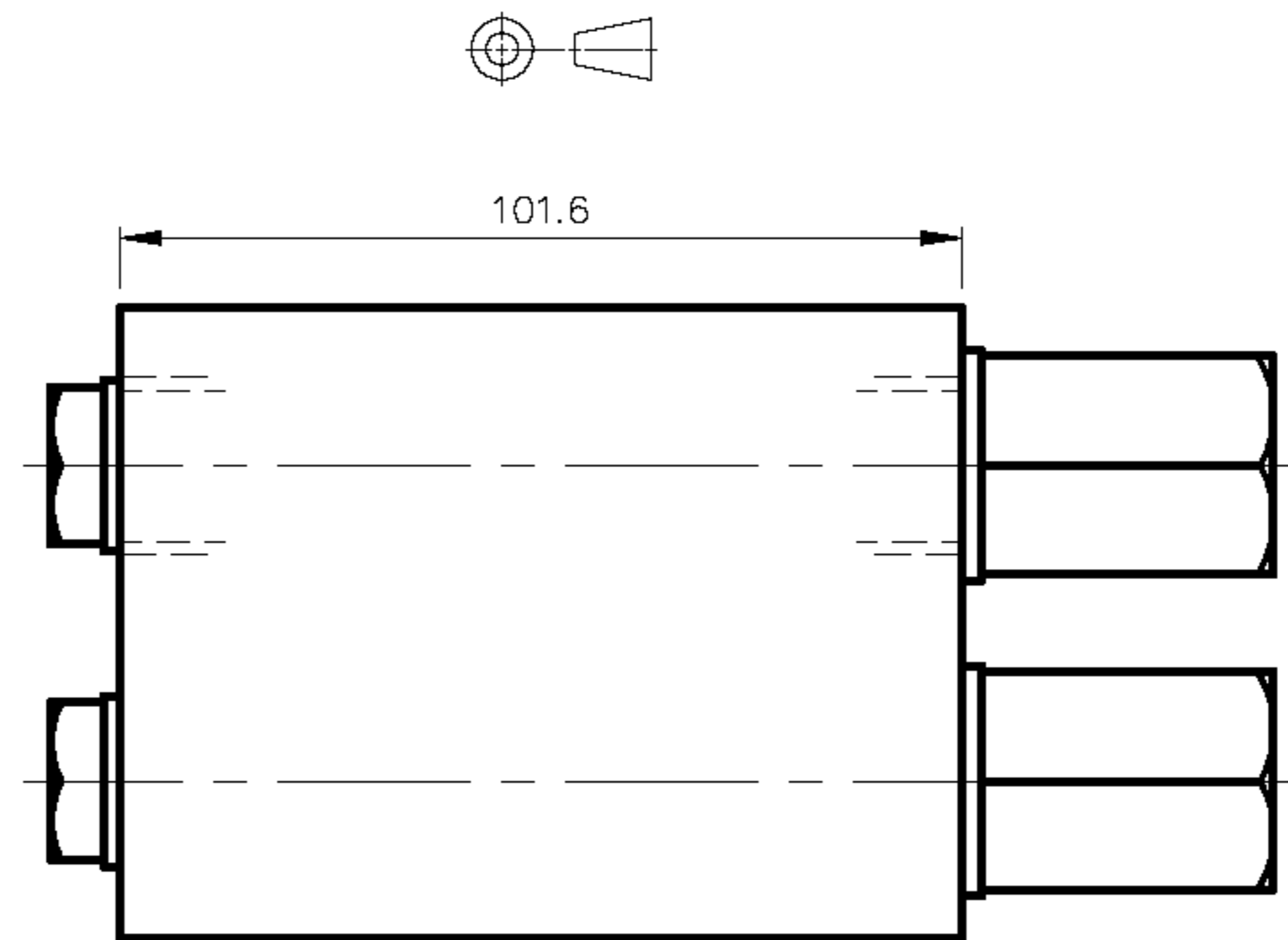


**PRESSURE COMPENSATED FLOW CONTROL**  
 VALVE WITH P.O CROSS-LINE RELIEF  
 EXAMPLE V-659-C  
**MAX WORKING PRESSURE 350 BAR**

**VALVE ORDERING INFORMATION**

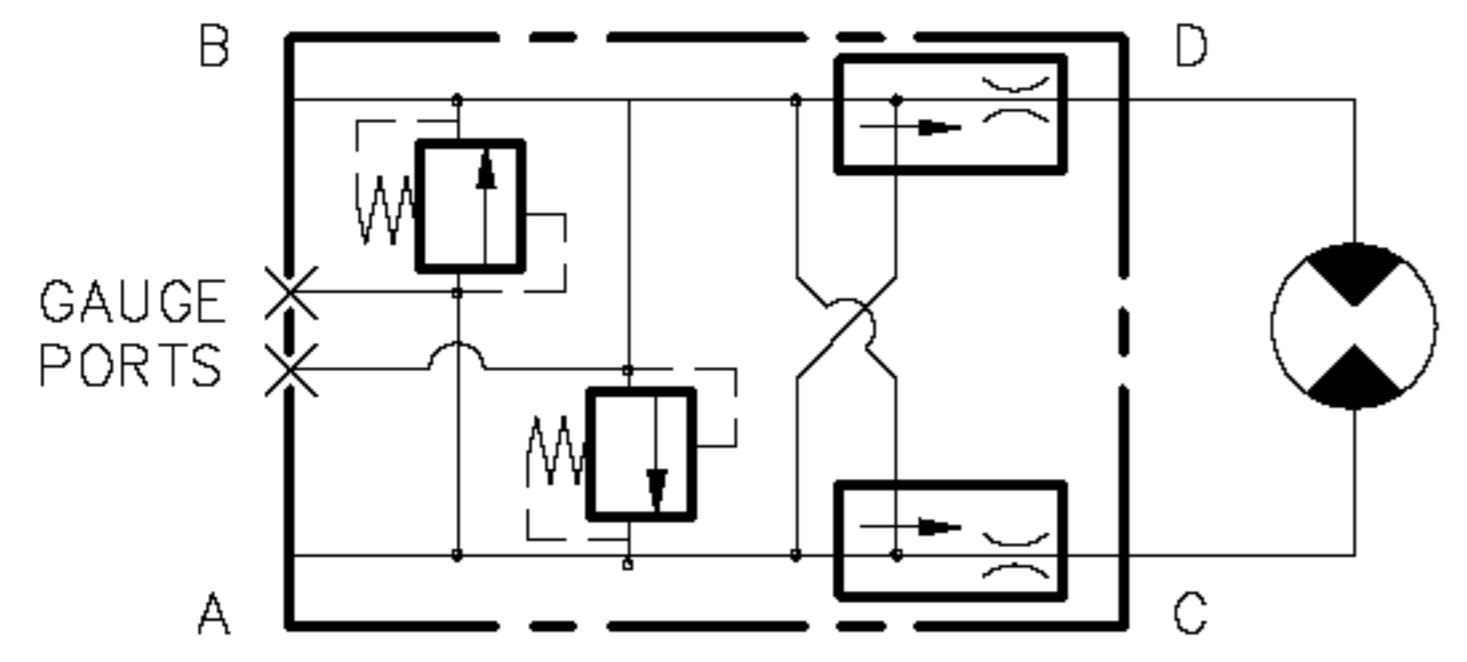
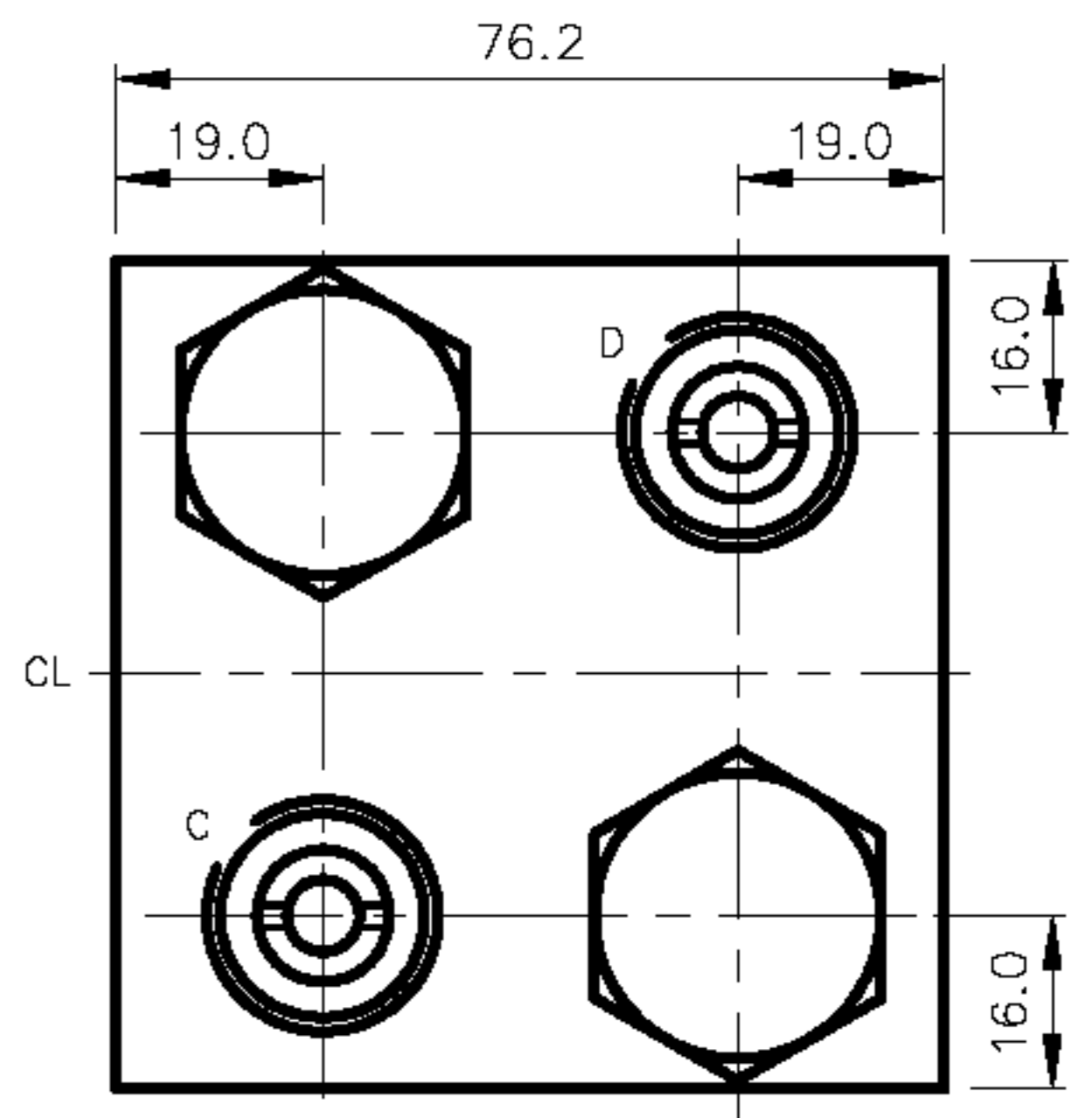
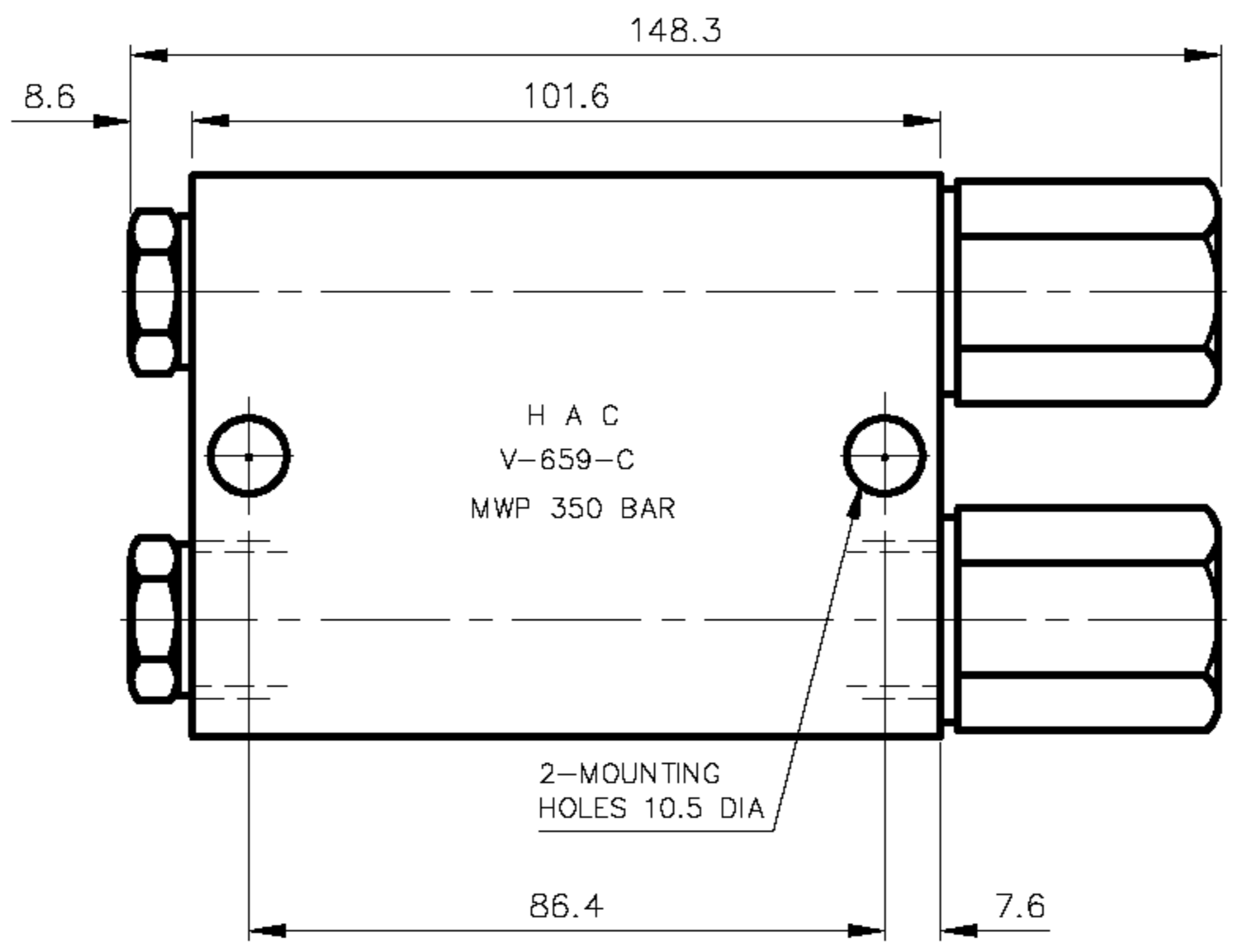
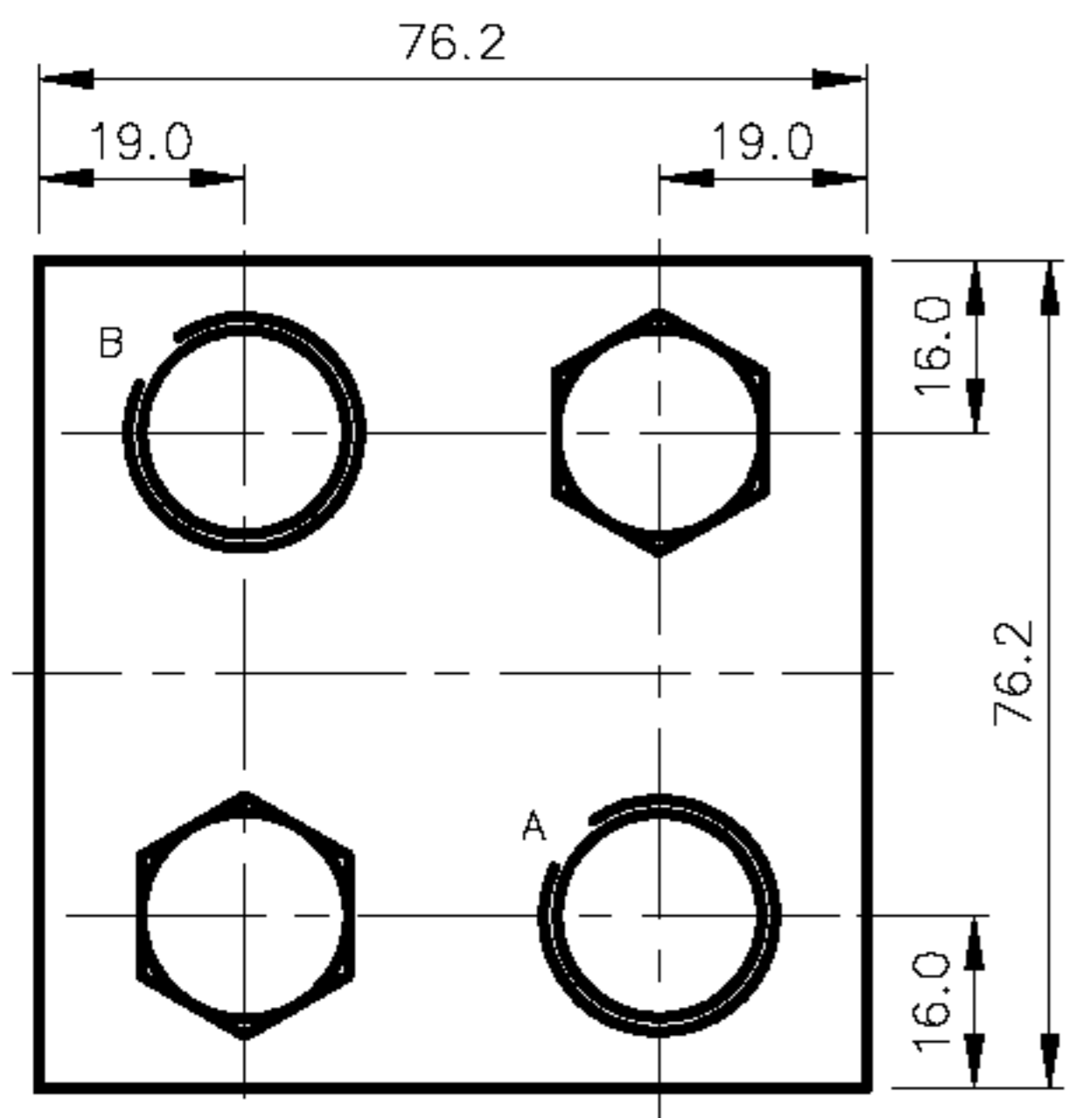
TYPE	PORTS
V-659-C + SETTINGS	1/2 BSP (PL)

**ALL DIMENSIONS IN MM**



**SETTINGS AVAILABLE**

FLOW	RELIEF
31.0 lpm	120 BAR
54.0 lpm	155 BAR STD
82.0 lpm	175 BAR



THIS VALVE IS USED FOR CONTROLLING THE PRESSURE AND FLOW ON FORK LIFT TRUCK ATTACHMENTS ON "HIGH" OUT-PUT TRUCKS  
 THE PRESSURE COMPENSATED FLOW CONTROL REDUCES THE HEAT BUILD UP WHEN CONTROLLING SPEEDS WITH RESTRICTORS



VALVE TYPE **PRESSURE COMPENSATED FLOW CONTROL VALVE WITH P.O CROSS LINE RELIEF VALVE**

DATE: 19/02/02  
 ASSY: 8275  
 SCALE: 0.8:1

TITLE **INSTALLATION V-659-C + SETTINGS**

DRG NO **8276A** ISS