

**PRESSURE COMPENSATED FLOW CONTROL**

VALVE WITH P.O CROSS-LINE RELIEF

**MAX WORKING PRESSURE 275 BAR**

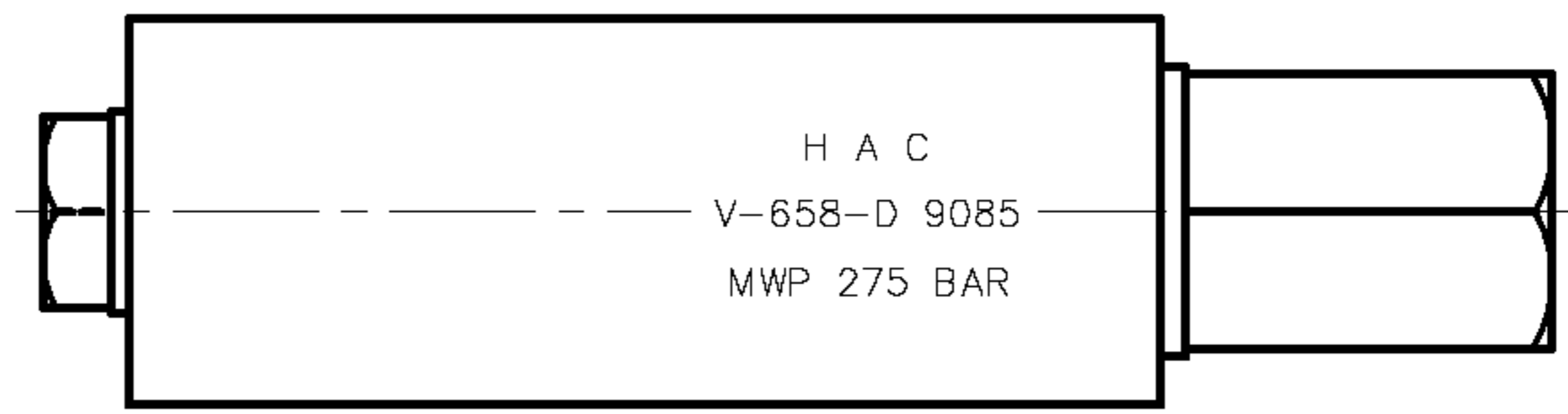
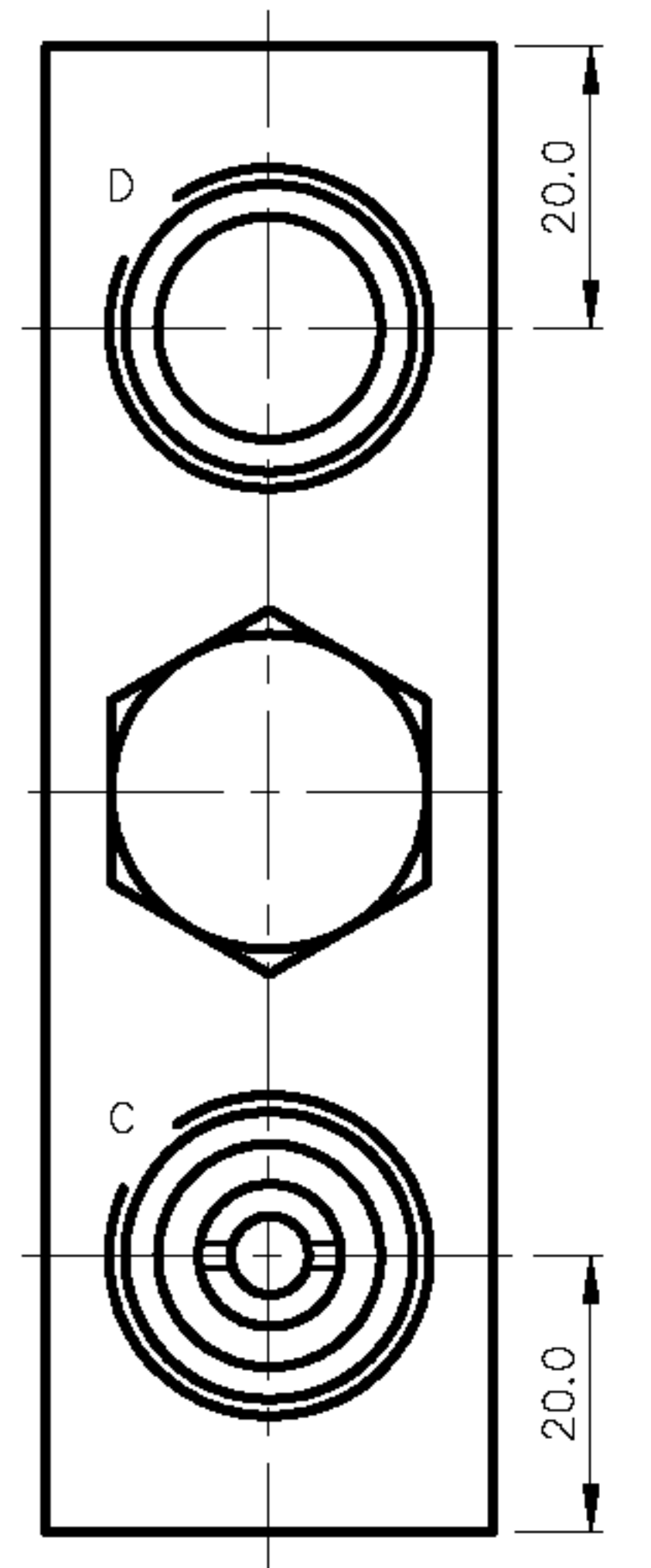
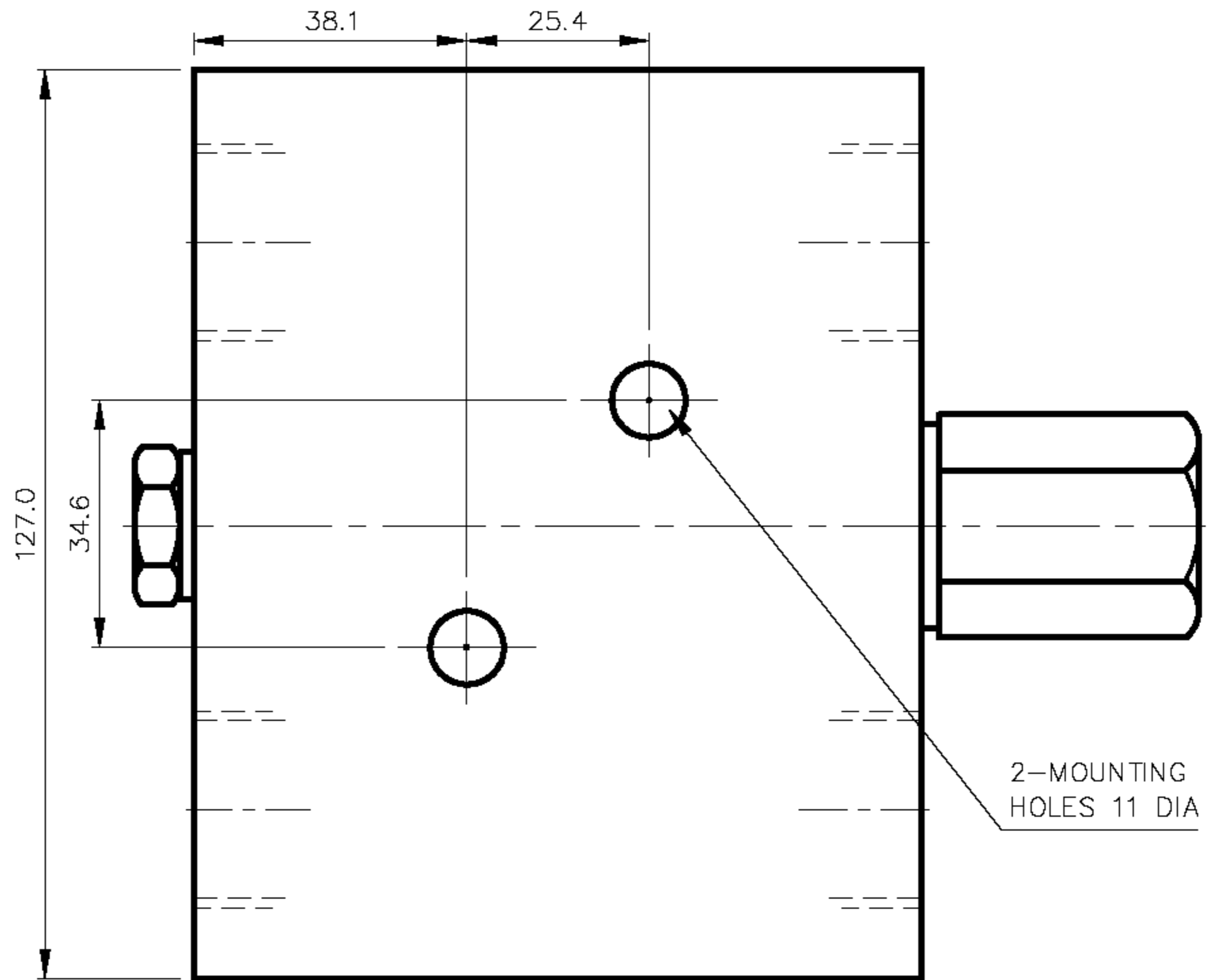
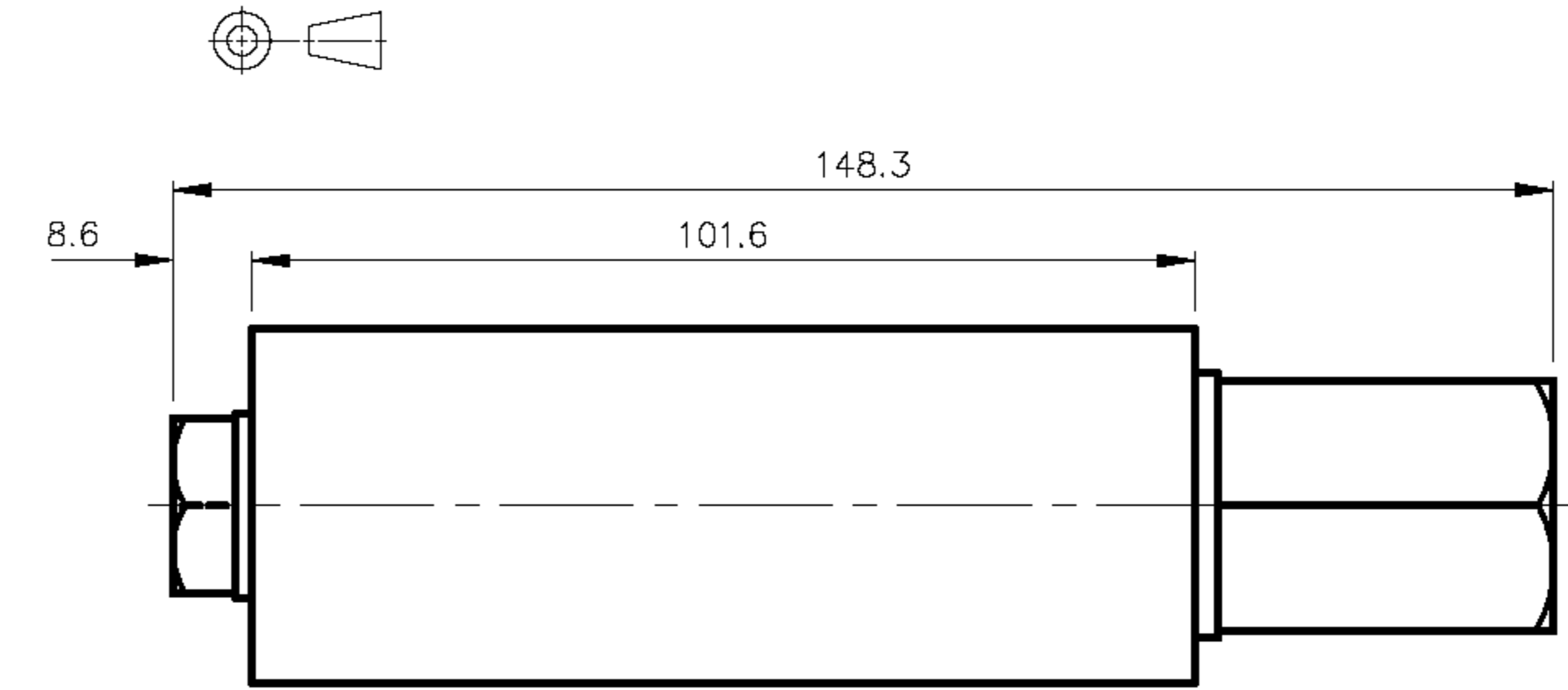
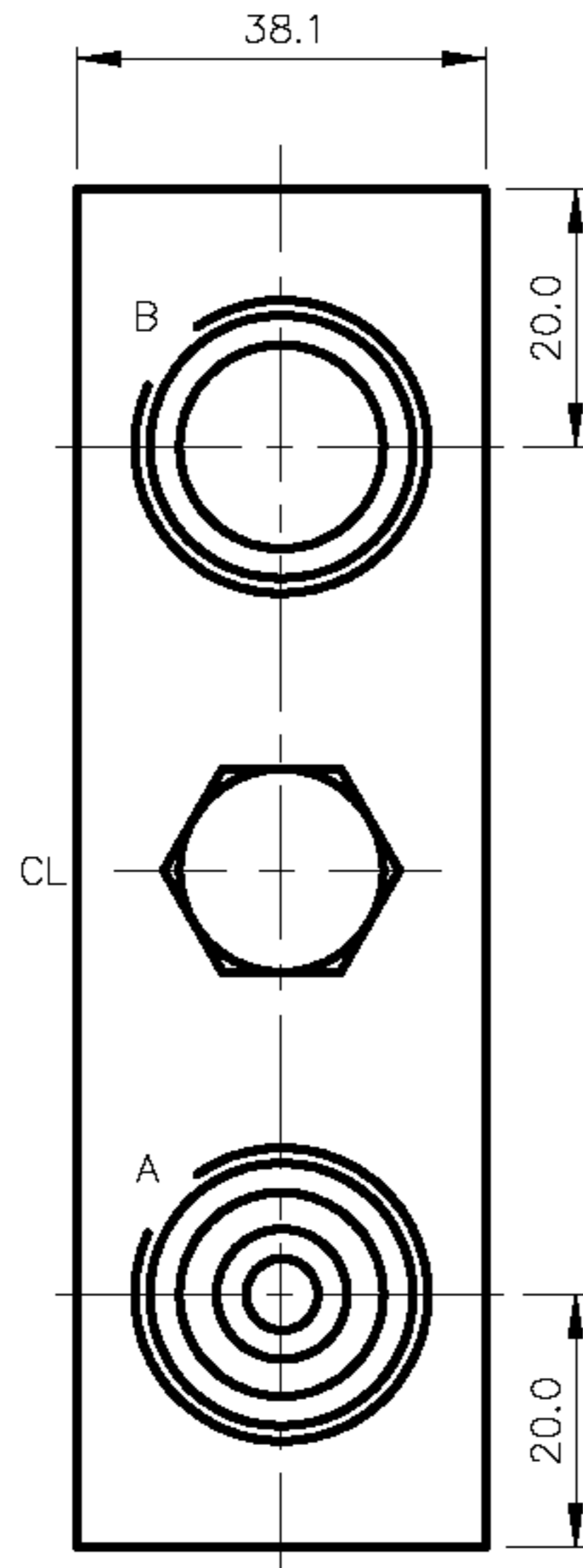
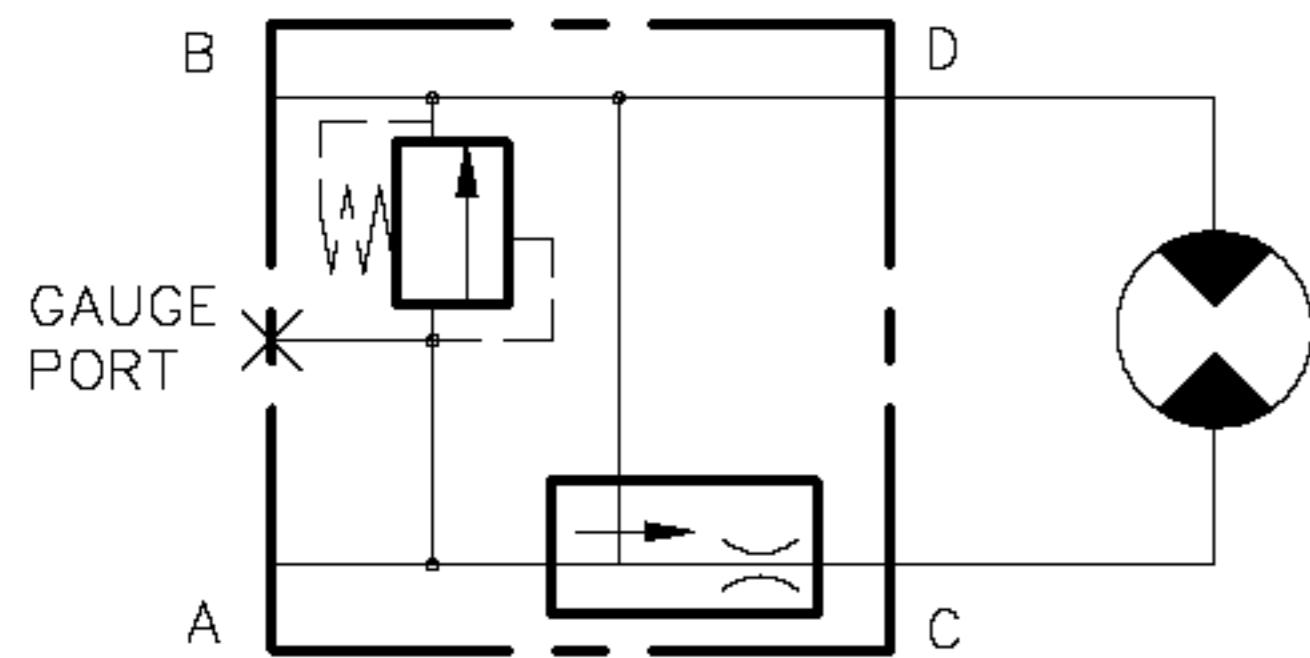
**VALVE ORDERING INFORMATION**

TYPE	PORTS
V-658-D 9085	3/4 BSP (PL)

**ALL DIMENSIONS IN MM**

**SETTINGS**

FLOW	RELIEF
54.0 lpm	175 BAR



H A C  
V-658-D 9085  
MWP 275 BAR



VALVE TYPE PRESSURE COMPENSATED FLOW CONTROL  
VALVE WITH P.O CROSS LINE RELIEF VALVE

DATE: 19/02/02  
ASSY: 9085  
SCALE: 1:1

TITLE INSTALLATION  
V-658-D 9085

DRG NO 9086

ISS A