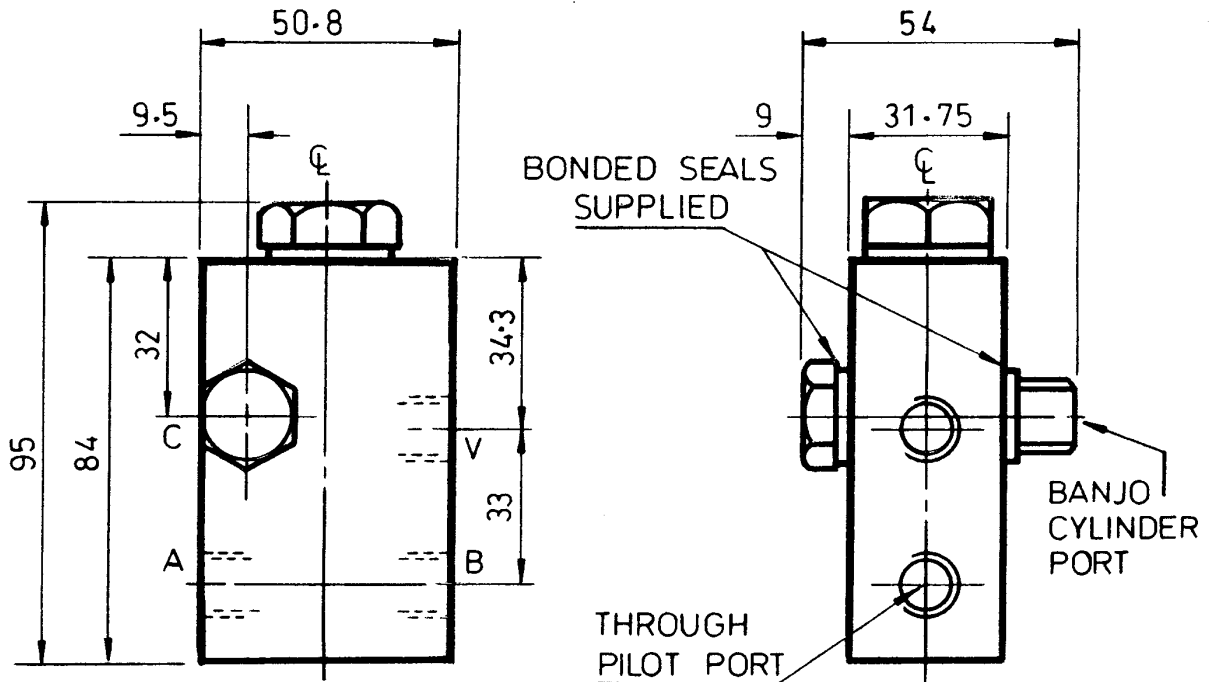
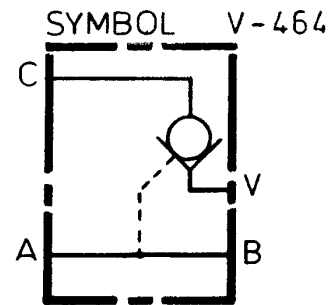




SINGLE P.O.CHECK VALVE  
BANJO MOUNTED  
THROUGH PORT SLIMLINE



ORDERING INFORMATION	
TYPE	PORTS
V-464-A	1/4 BSP (PL)



MAX WORKING PRESSURE 350 BAR

STANDARD RATIO 4:1  
ALSO AVAILABLE WITH 12:1 R TIO  
DUPLEX POPPET ADD PREFIX 'X' IE VX-464

ALL DIMENSIONS IN MM

**HYDRAULIC ACTUATORS AND CONTROLS LTD**

104 Maybury Road, Woking, Surrey GU21 5JL, England.  
Tel: (01483) 762745 Fax: (01483) 765320