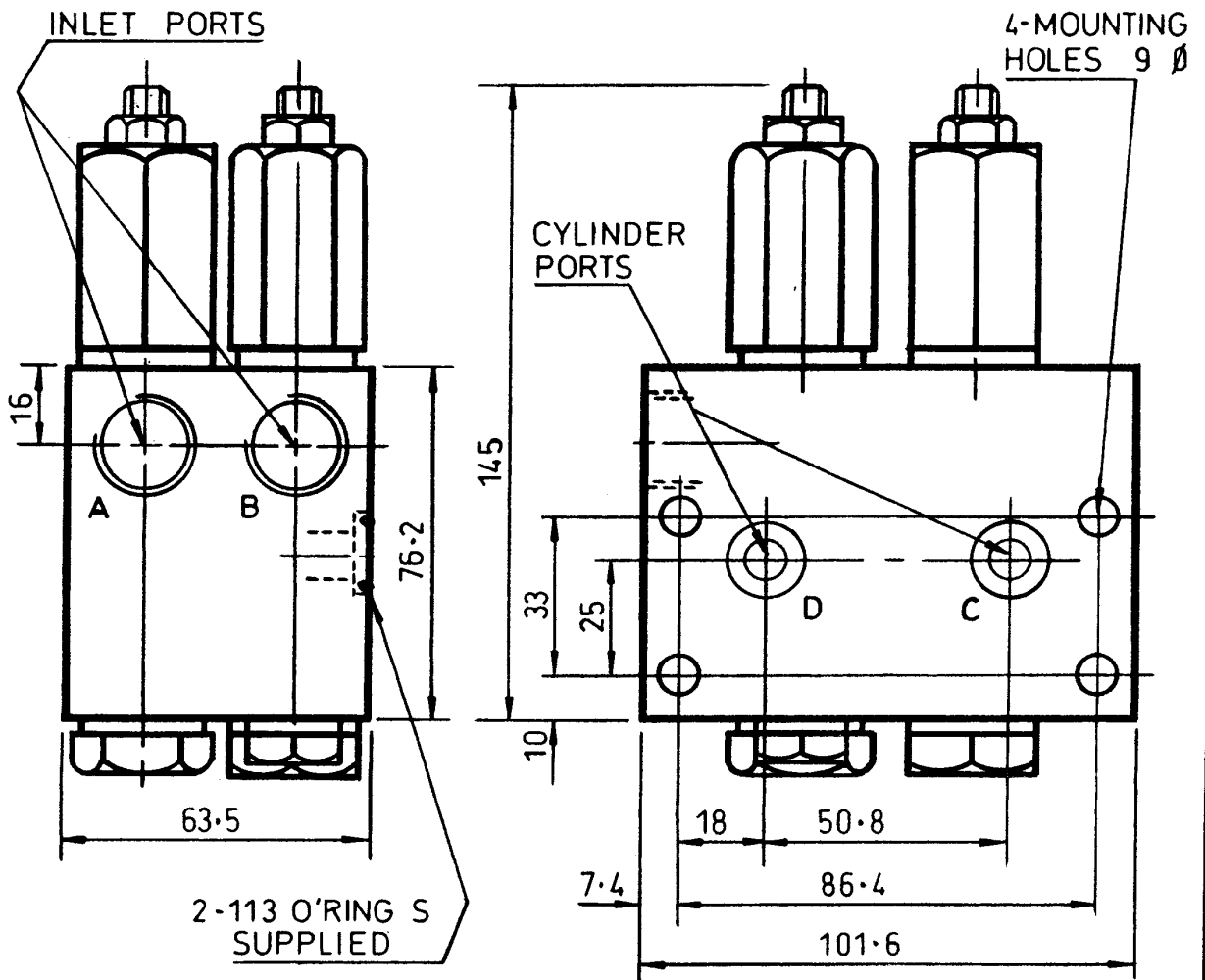


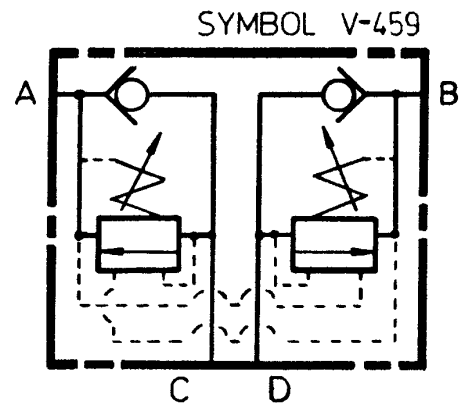


DUAL OVERCENTRE VALVE
VALVE
MANIFOLD MOUNTED



MAX WORKING PRESSURE 350 BAR

ORDERING INFORMATION	
TYPE	PORTS
V-459-A	1/4 BSP (PL)
V-459-B	3/8 BSP (PL)
V-459-C	1/2 BSP (PL)



FOR SINGLE OVERCENTRE VALVE MANIFOLD MOUNTED WITH THE SAME MOUNTING HOLES AND PORTS SEE V-449.

FOR DUAL P.O.CHECK VALVE MANIFOLD MOUNTED WITH THE SAME MOUNTING HOLES AND PORTS SEE V-689.

ALL DIMENSION IN MM

HYDRAULIC ACTUATORS AND CONTROLS LTD

104 Maybury Road, Woking, Surrey GU21 5JL, England.

Tel: (01483) 762745

Fax: (01483) 765320