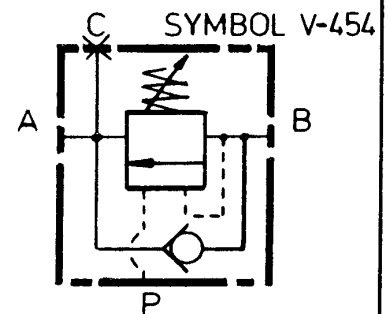


ORDERING INFORMATION	
TYPE	PORTS
V-454-B	$\frac{3}{8}$ BSP PL
V-454-C	$\frac{1}{2}$ BSP PL



MAX WORKING PRESSURE 350 BAR

THE CARRYOVER PORT IS FOR PILOT CONNECTIONS TO OTHER VALVES AND WILL COME READY PLUGGED.

ALL DIMENSIONS IN MM

HYDRAULIC ACTUATORS AND CONTROLS LTD

104 Maybury Road, Woking, Surrey GU21 5JL, England.

Tel: (01483) 762745

Fax: (01483) 765320