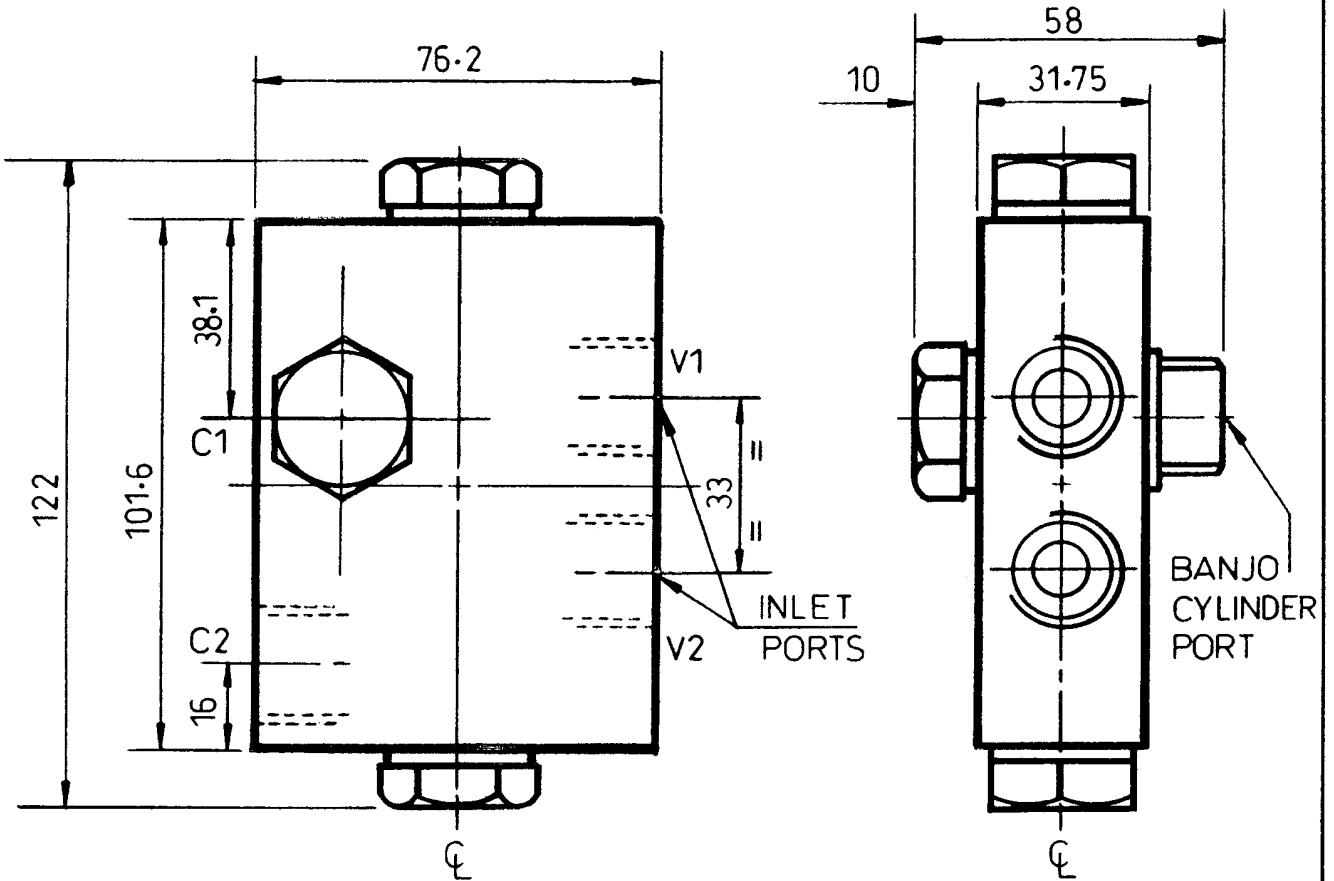




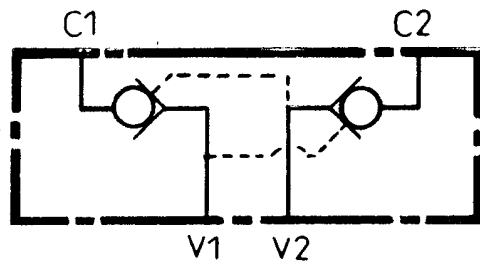
HAC

DUAL P.O. CHECK VALVE
BANJO MOUNTED



SYMBOL V-453

ORDERING INFORMATION	
TYPE	PORTS
V-453-B	3/8 BSP (PL)
V-453-C	1/2 BSP (PL)



MAX WORKING PRESSURE 350 BAR

STANDARD RATIO 4:1

ALSO AVAILABLE WITH 12:1 RATIO

DUPLEX POPPET ADD PREFIX 'X' IE VX-453

ALL DIMENSIONS IN MM

HYDRAULIC ACTUATORS AND CONTROLS LTD

104 Maybury Road, Woking, Surrey GU21 5JL, England.

Tel: (01483) 762745

Fax: (01483) 765320