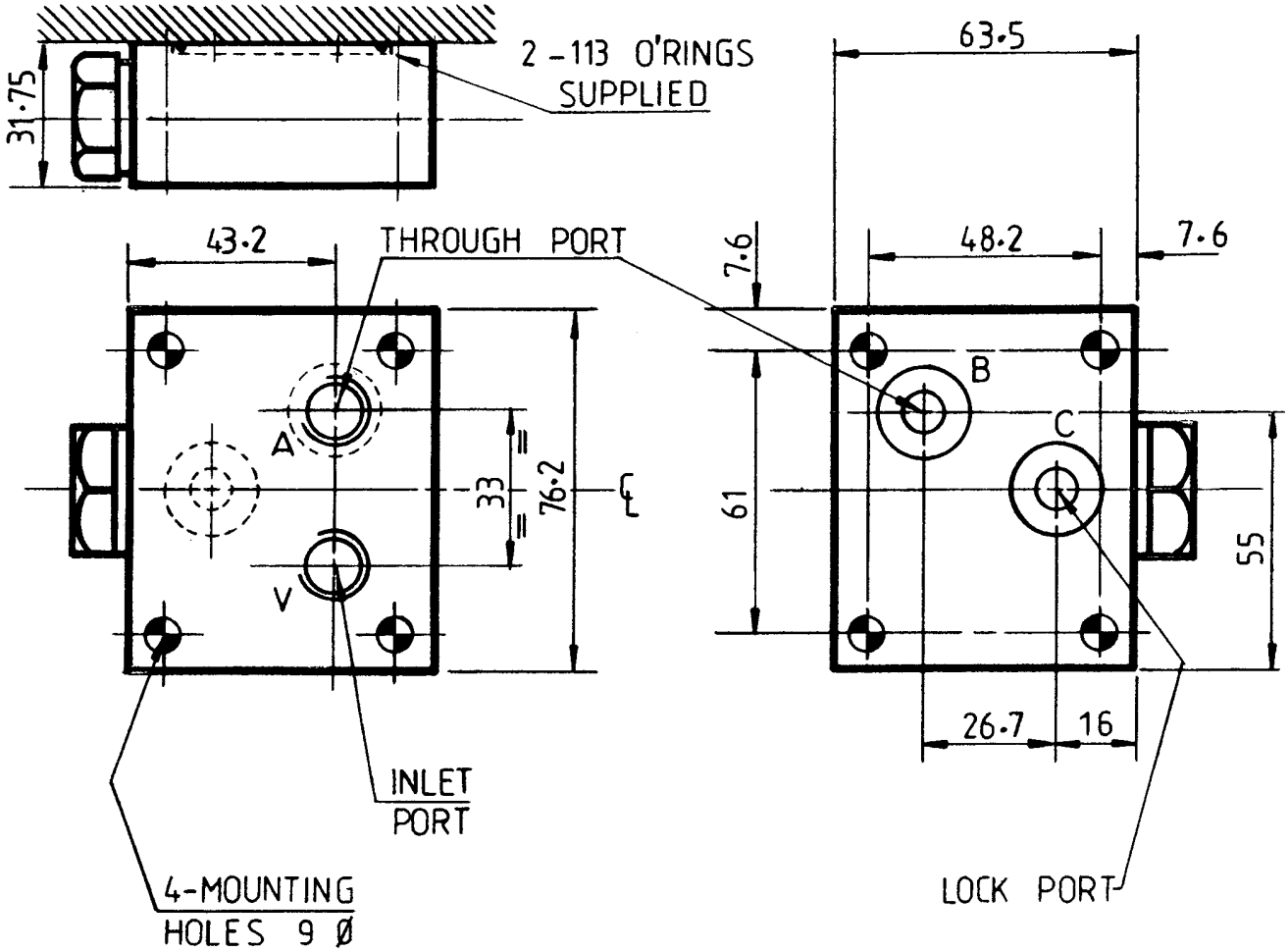


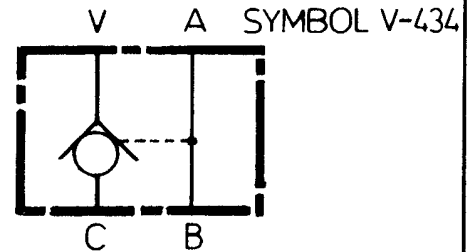


# HAC

SINGLE P.O.CHECK  
VALVE  
MANIFOLD TYPE



ORDERING INFORMATION	
TYPE	PORTS
V-434-A	1/4 BSP (PL)



MAX WORKING PRESSURE 350 BAR

THIS VALVE IS IDEAL FOR MOUNTING DIRECTLY ON THE END FITTING OF HYDRAULIC CYLINDERS, THUS ELIMINATING THE RISK OF HOSE FAILURE.

ALL DIMENSIONS IN MM

**HYDRAULIC ACTUATORS AND CONTROLS LTD**

104 Maybury Road, Woking, Surrey GU21 5JL, England.  
Tel: (01483) 762745 Fax: (01483) 765320